

# artos

F904A-6TK

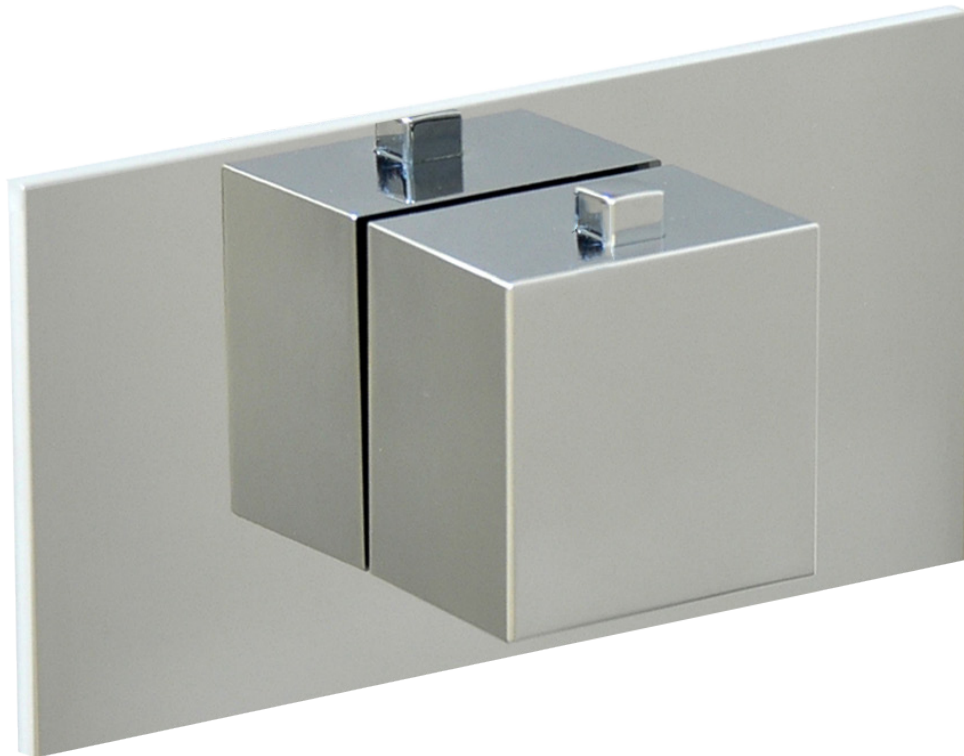
INSTALLATION GUIDE

3/4" thermostatic valve trim  
kit only squ+letterbox

BRUSHED NICKEL(BN)



CHROME(CH)



# artos

F904A-6TK

3/4" thermostatic valve trim  
kit only squ+letterbox

## OPERATING SPECIFICATIONS

for associated valve | F904A-V0

### MIXED WATER TEMPERATURE

Maximum: 120°F

### HOT WATER SUPPLY TEMPERATURE

Maximum: 185°F

Minimum: 50°F

Advisable: 150°F- 160°F

Minimum difference between hot mixed temperature 50°F

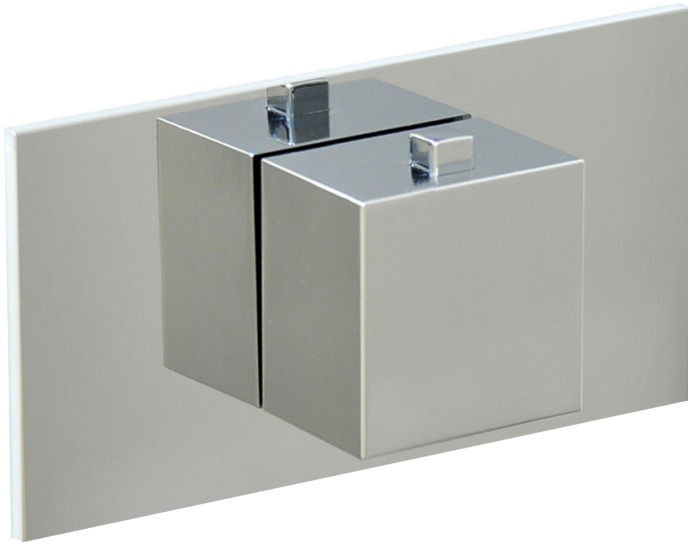
### OPERATING PRESSURE

Maximum: 125psi

Minimum: 20psi

Recommended: 30psi- 95psi

Operating pressures (on hot and cold lines) should be kept as balanced as possible, in order to assure the maximum efficiency.

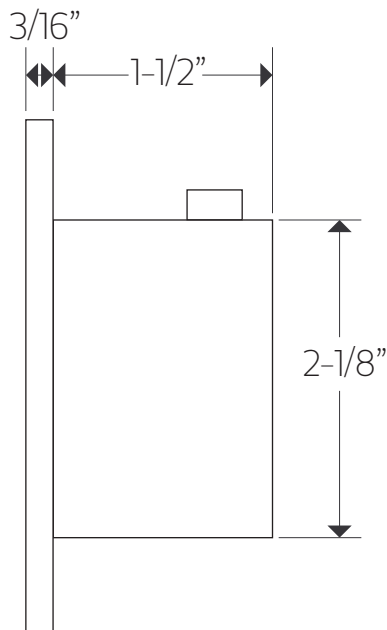
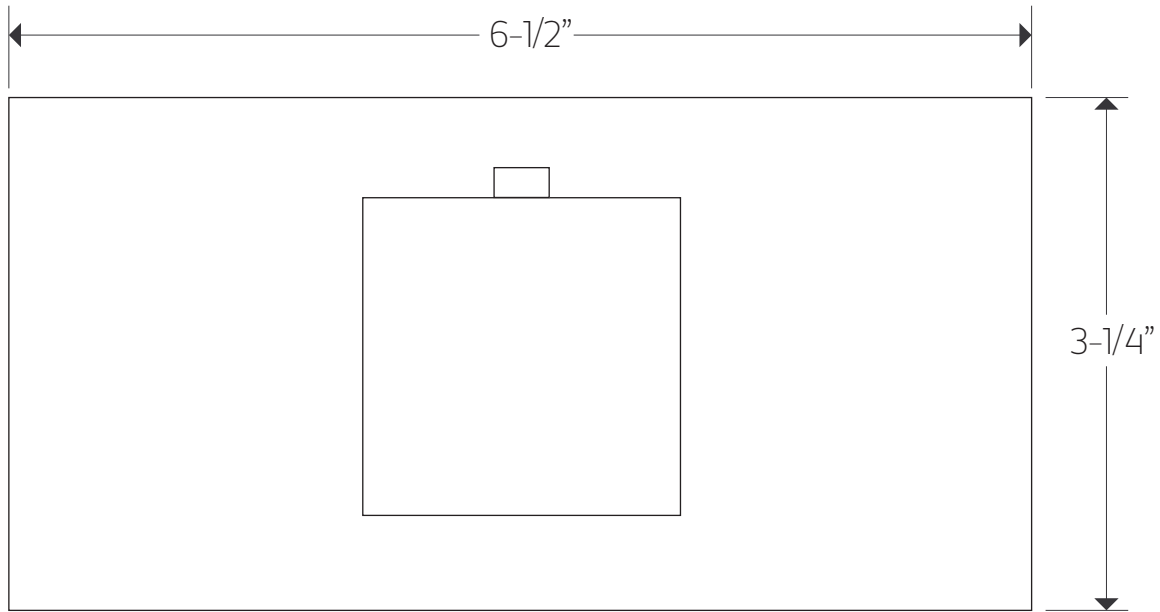


# artos

F904A-6TK

## PRODUCT DIMENSIONS

3/4" thermostatic valve trim  
kit only squ+letterbox

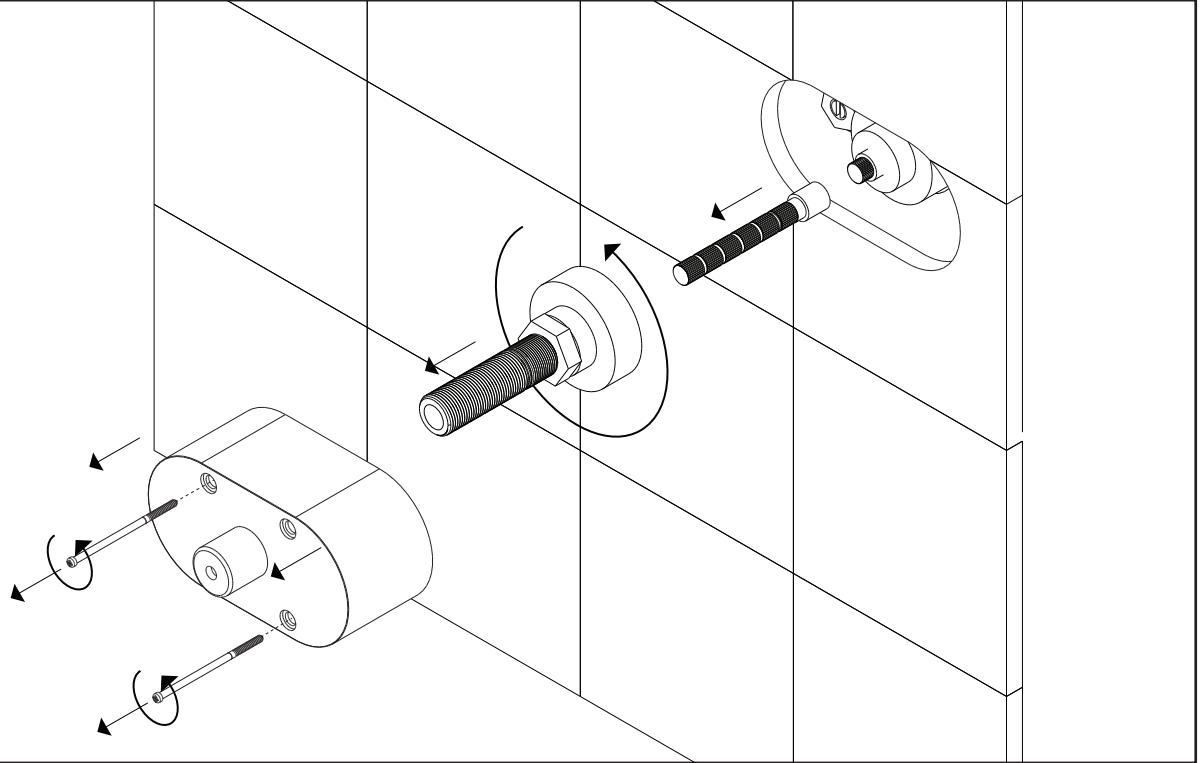


# artos

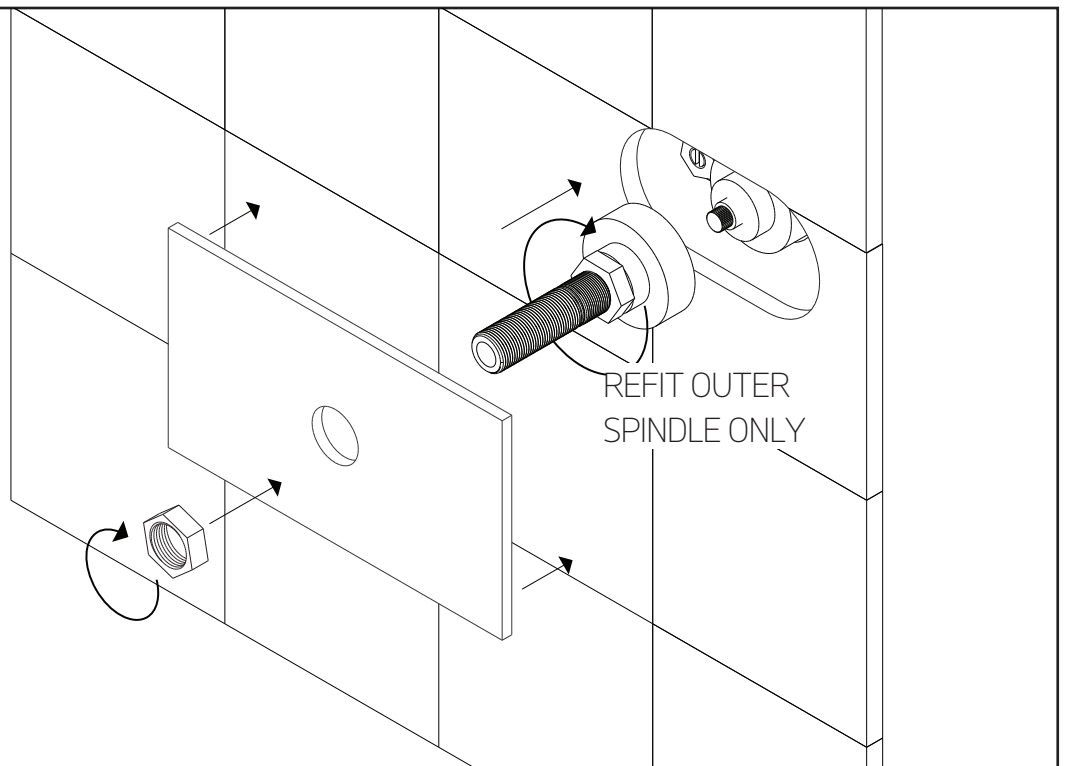
## F904A-6TK

3/4" thermostatic valve trim  
kit only squ+letterbox

### STEP 1

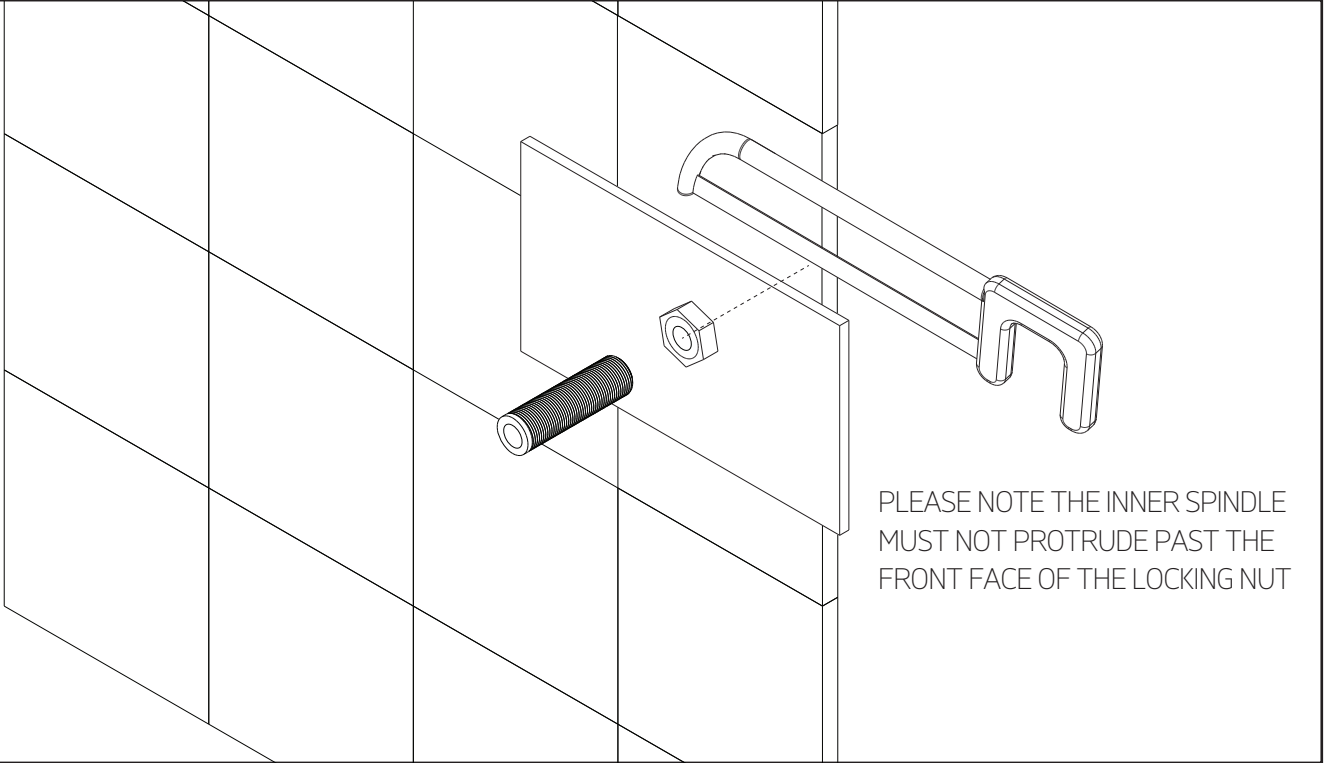


### STEP 2

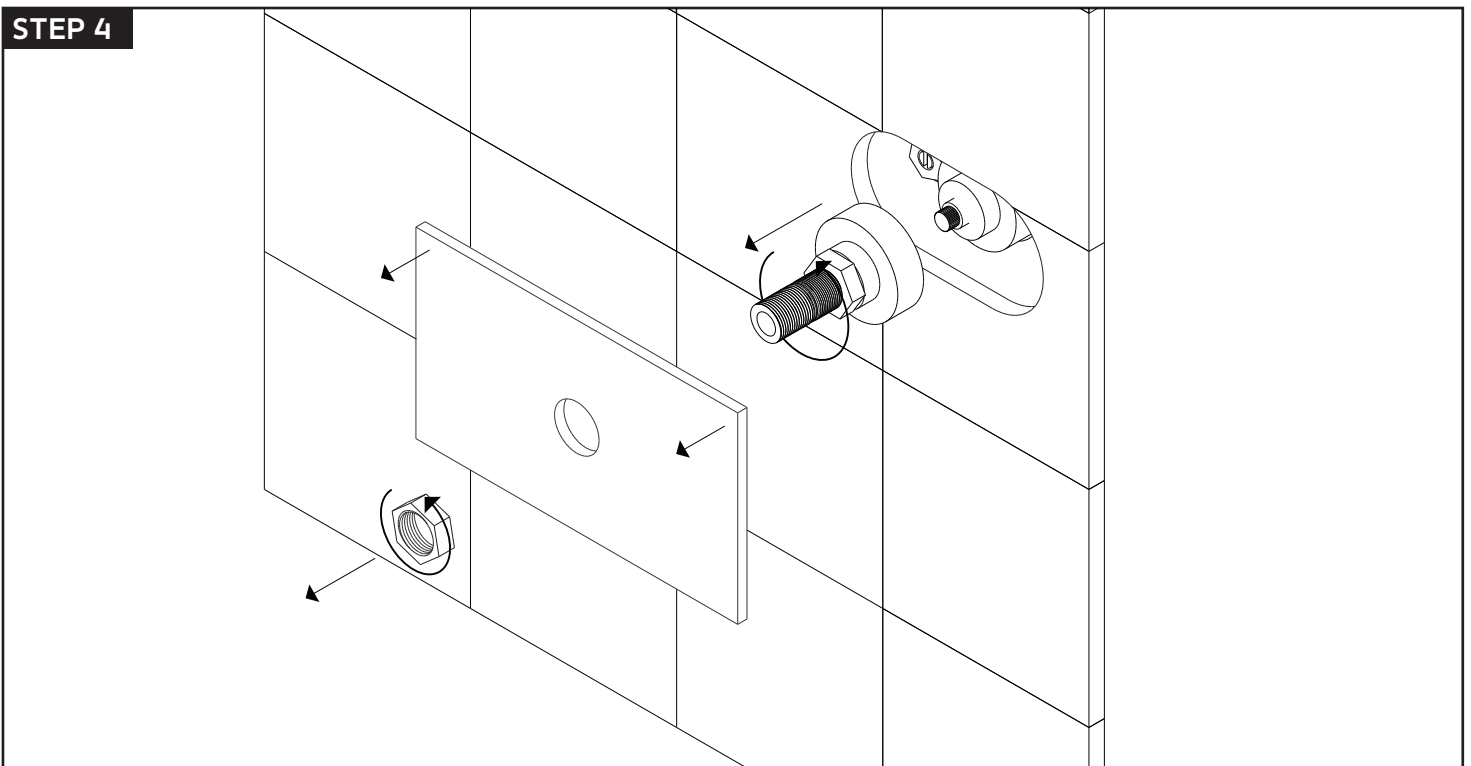


# INSTALLATION STEPS

## STEP 3



## STEP 4

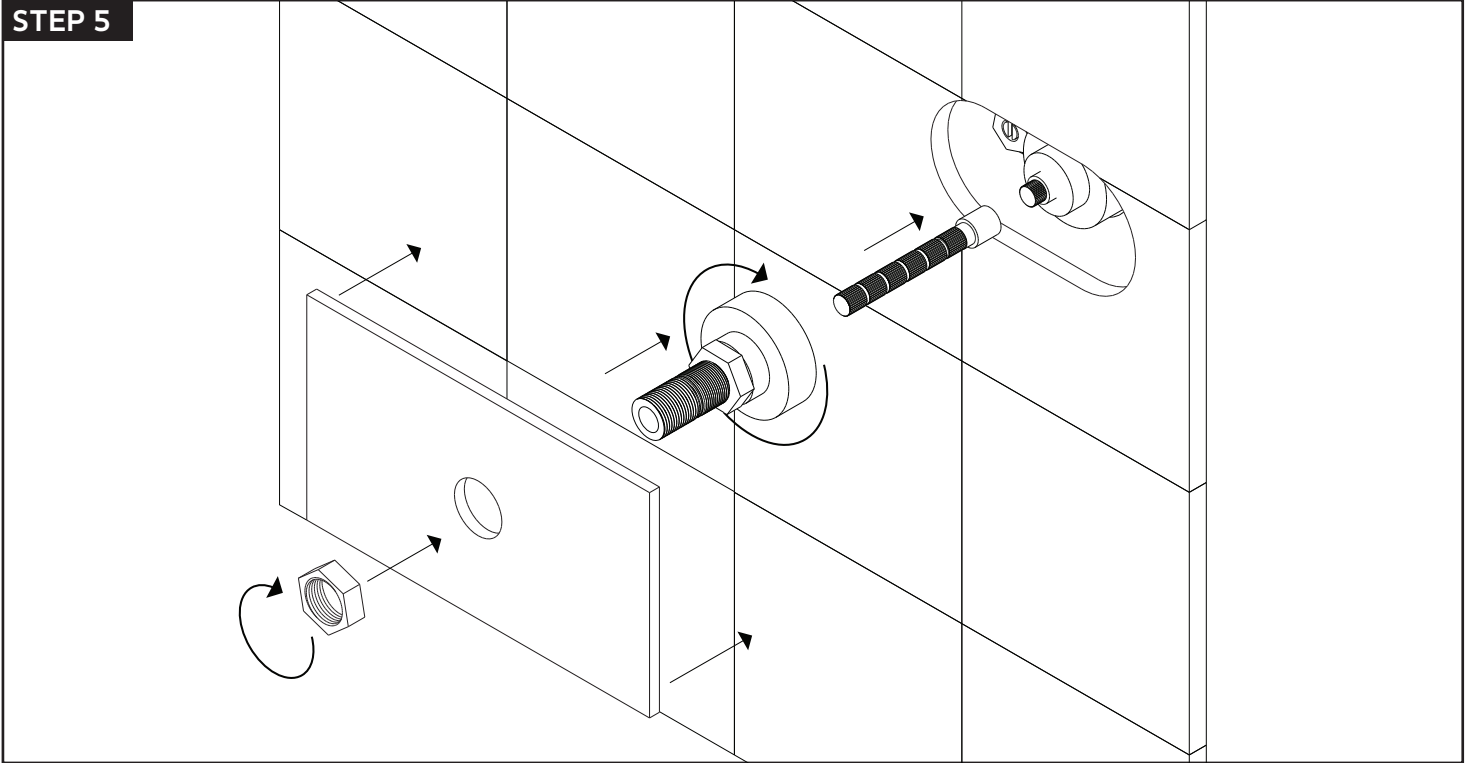


# artos

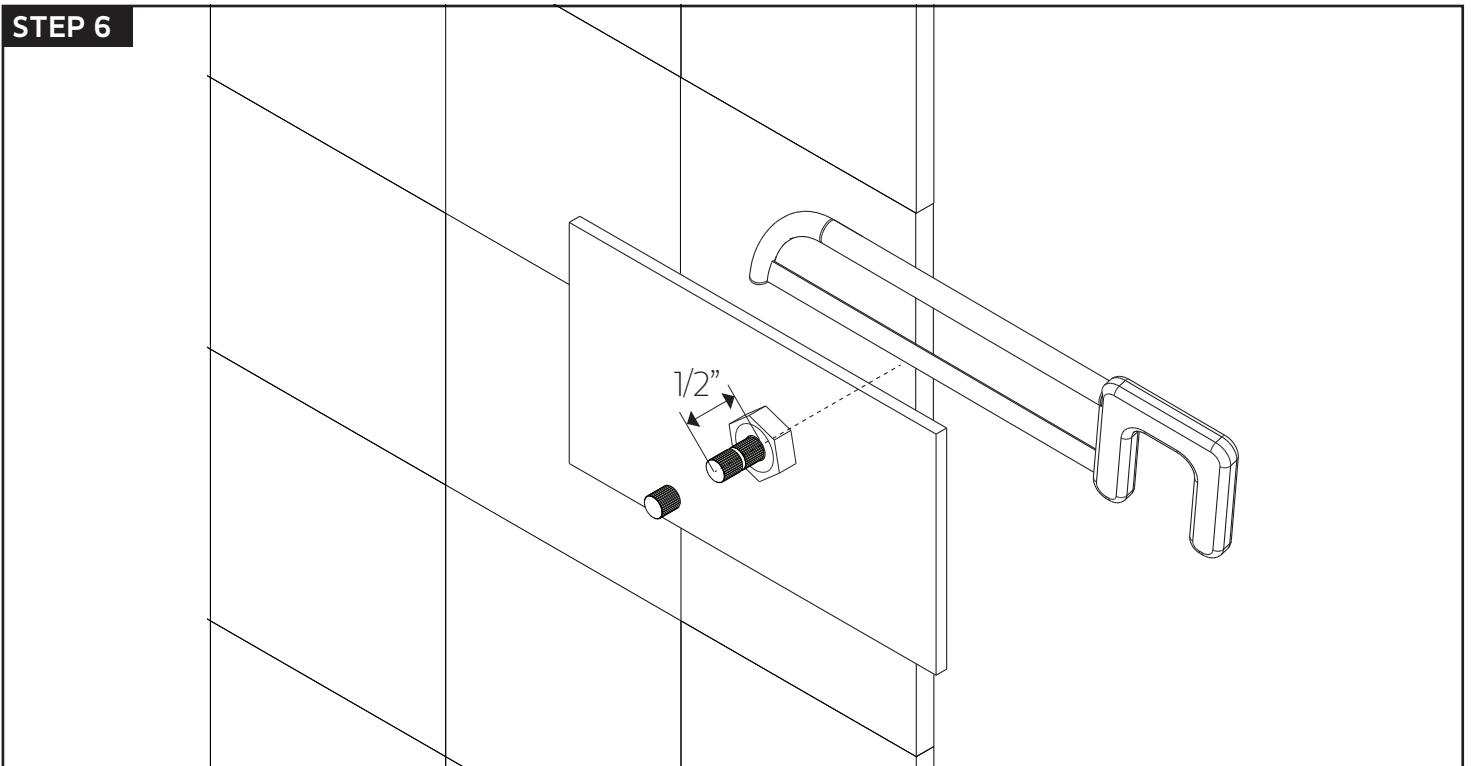
## F904A-6TK

3/4" thermostatic valve trim  
kit only squ+letterbox

### STEP 5

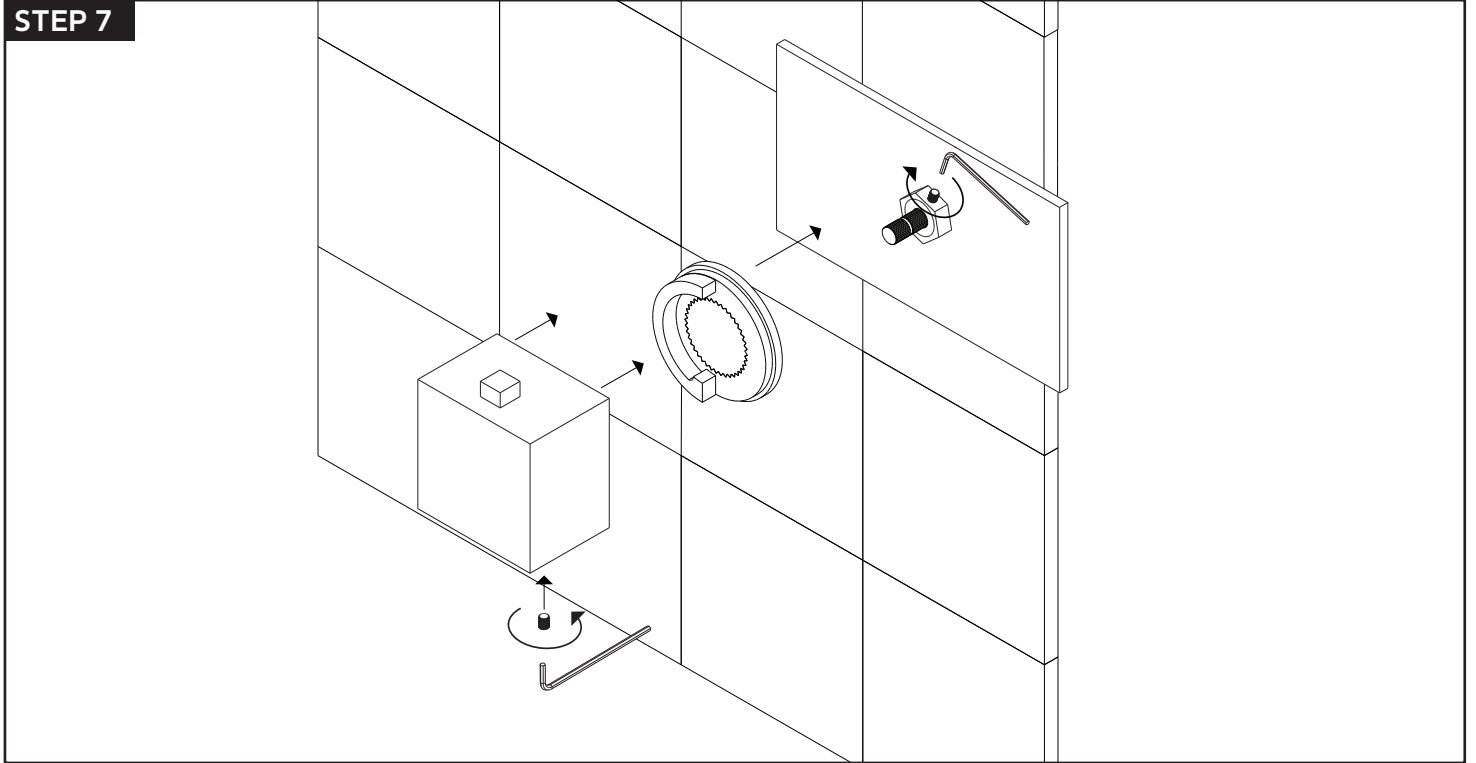


### STEP 6



# INSTALLATION STEPS

## STEP 7

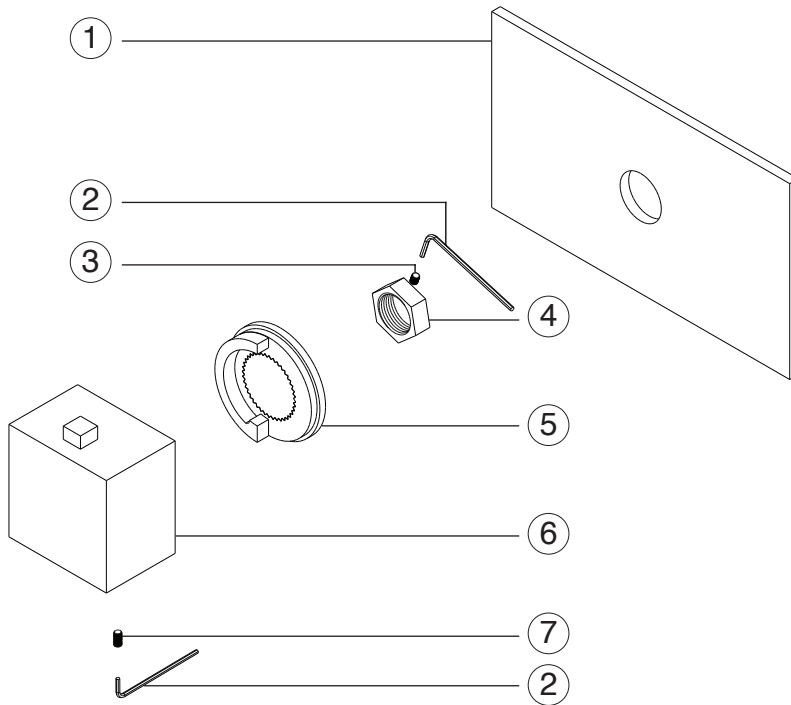
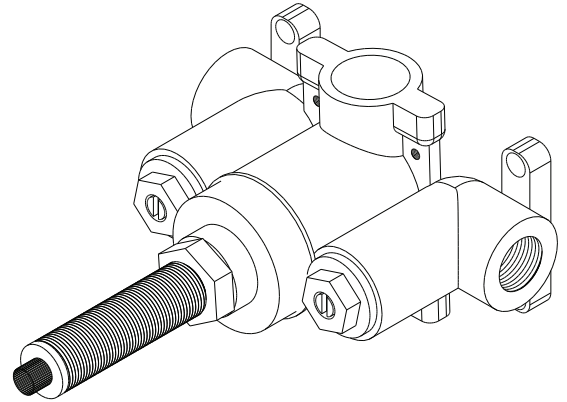


# artos

F904A-6TK

## PARTS BREAKDOWN

3/4" thermostatic valve trim  
kit only squ+letterbox



- ① ESCUTCHEON F904A-6P
- ② ALLEN WRENCH
- ③ LOCKING NUT SET SCREW
- ④ LOCKING NUT
- ⑤ ANTI SCOLD RING
- ⑥ HANDLE F904A-2H
- ⑦ HANDLE SET SCREW