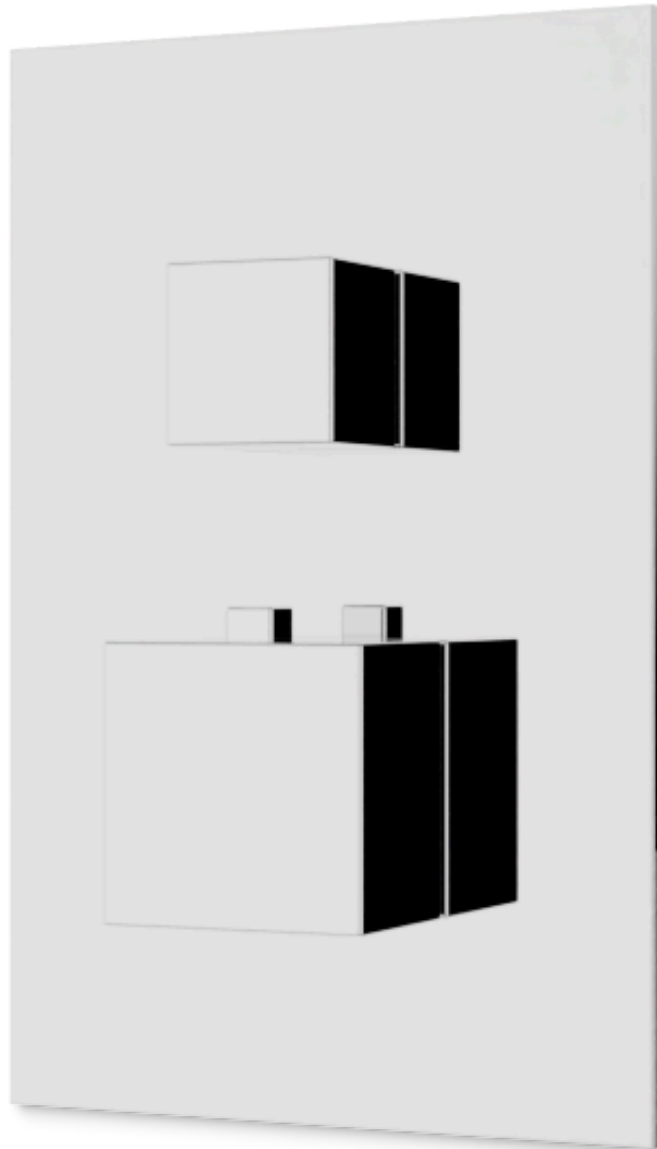


F903B-59TK

Square Thermostat with 3-Way Diverter & Off Position Trim Kit

artos®

INSTALLATION GUIDE

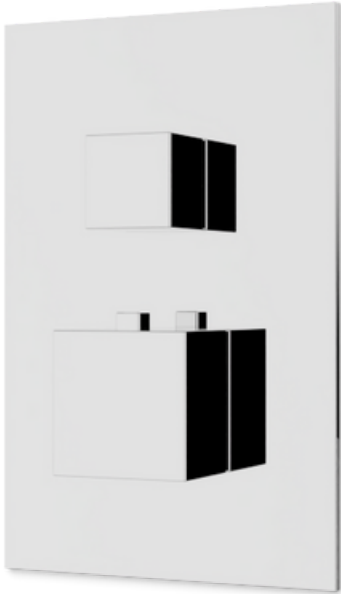


F903B-59TK

Square Thermostat with 3-Way Diverter & Off Position Trim Kit

artos®

OPERATING SPECIFICATIONS



MIXED WATER TEMPERATURE

Maximum: 120°

HOT WATER SUPPLY TEMPERATURE

Maximum: 180°

Minimum: 50°

Advisable: 150°-160°

Minimum difference between hot mixed temperature
50°

OPERATING PRESSURE

Minimum: 20psi

Maximum: 125psi

Reccomended: 30psi-95psi

Operating pressures (on hot and cold lines) should be kept as balanced as possible, in order to assure the maximum efficiency.

STANDARDS

ASSE 1016-2011

ASME_A112.1016-2011

CSA B125:16-11



All technical specifications, product details, and pricing are subject to change without prior notice. Artos makes every effort to ensure accuracy; however, errors or omissions may occur. It is the responsibility of the installer, designer, or purchaser to verify all critical dimensions, installation requirements, and compliance with applicable codes prior to use.

Artos assumes no liability for damages, losses, or injuries resulting from the use of this documentation or from product installation, operation, or maintenance performed outside of Artos instructions and applicable codes. Product warranties are limited to those expressly stated by Artos. Please refer to official warranty documentation for complete terms and conditions.

All drawings, manuals, and specifications are the property of Artos and may not be reproduced, distributed, or altered without prior written permission.

F903B-59TK

Square Thermostat with 3-Way Diverter & Off
Position Trim Kit

INDEX

INDEX

Product Dimensions.....pg:4

Valve Identification.....pg:5

Valve Installation F973VOpg:7-12

Parts Breakdown F973VO.....pg:13

Valve Installation F943-VO.....pg:14-17

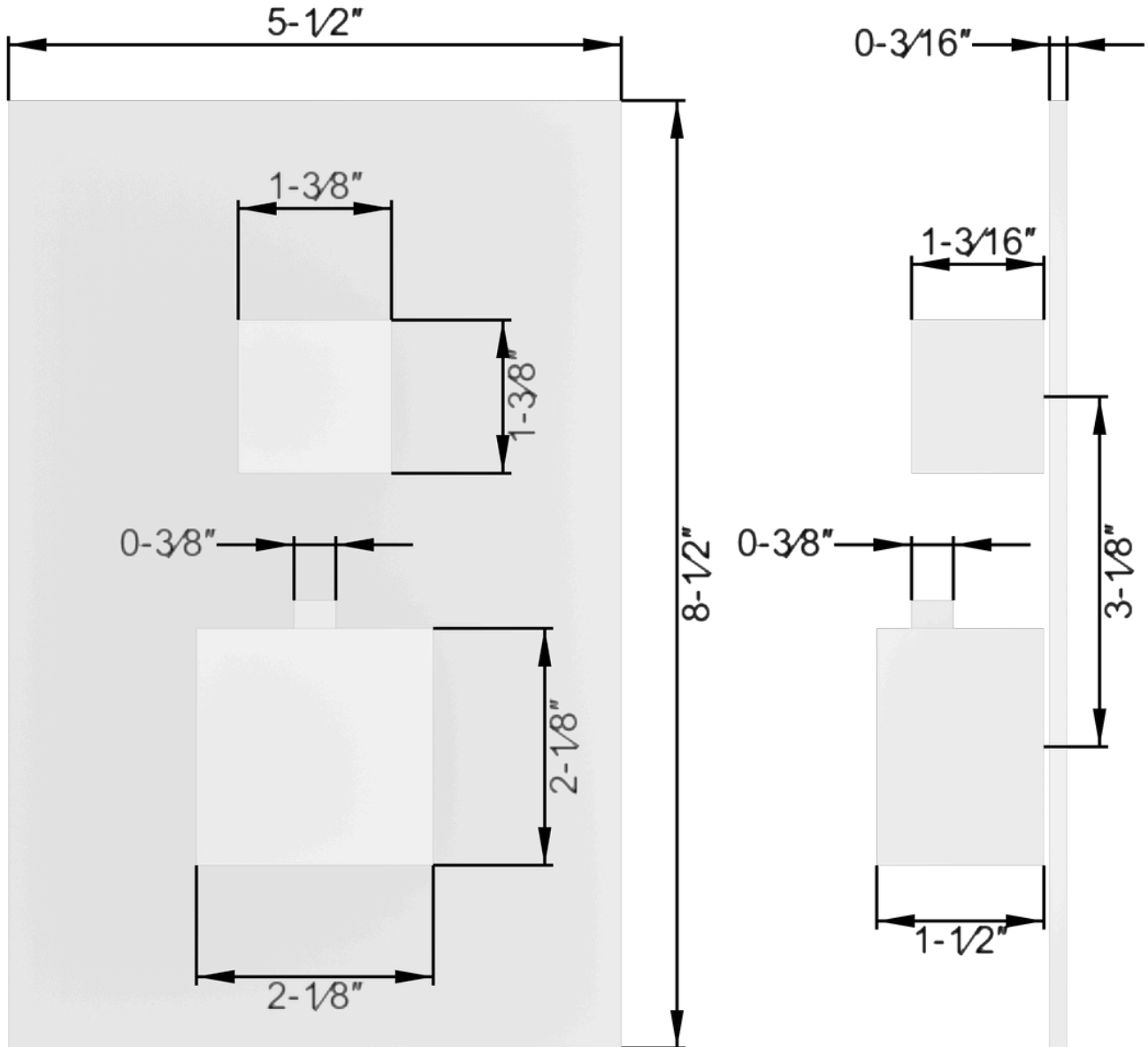
Parts Breakdown F943-VO.....pg:18

F903B-59TK

Square Thermostat with 3-Way Diverter & Off Position Trim Kit

artos®

PRODUCT DIMENSIONS

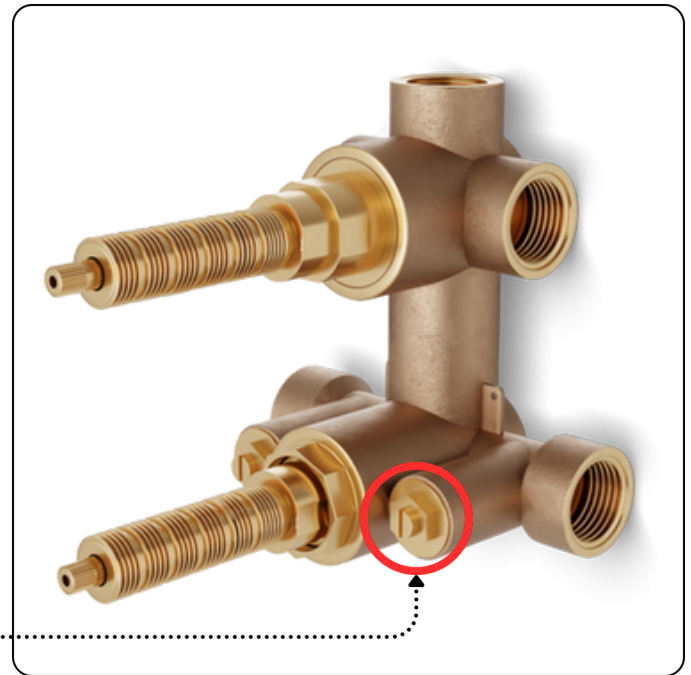
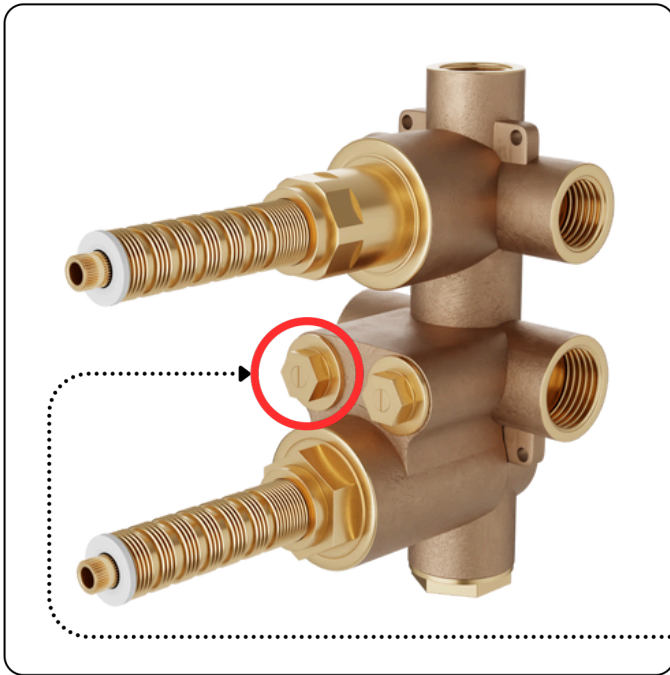


F903B-59TK

Square Thermostat with 3-Way Diverter & Off Position Trim Kit

artos®

VALVE IDENTIFICATION



If installing trim on the **F973VO** or **F973NSVO** proceed to page 6.

If installing trim on the **F943-VO**, proceed to page 14.

To identify the difference between the two valves, observe the positioning of the service stops. On the **F943-VO**, the service stops are on either side of the thermostat cartridge. On the **F973VO** or **F973NSVO**, the service stops are above the cartridge.

F903B-59TK

Square Thermostat with 3-Way Diverter & Off Position Trim Kit

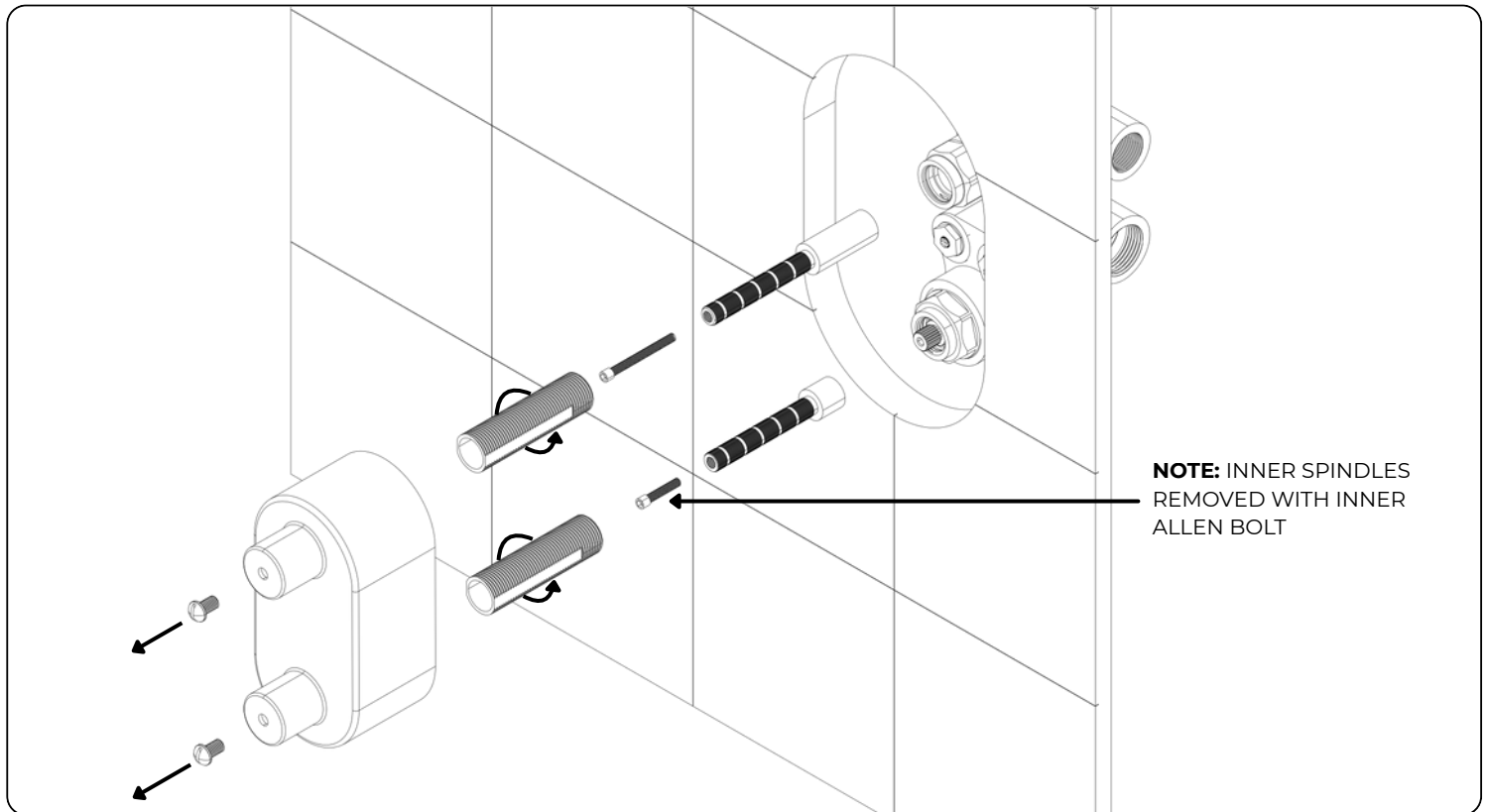
artos®

INSTALLATION GUIDE

FOR F973VO OR F973NSVO



STEP 1



NOTE: INNER SPINDLES REMOVED WITH INNER ALLEN BOLT

Begin installation of the trim kit once plaster and dust protection is no longer needed.

First, remove flathead bolts from the plaster guard using a flathead screwdriver. Next, remove the outer spindles to provide better access to the inner components. Using the included Allen wrench, carefully loosen and remove the retaining bolts from the inner spindles. Once Bolts are removed inner spindles can be pulled from respective valves and set aside.

Note: The longer screw and its corresponding spindle belong to the diverter valve (upper position), so be sure to keep these parts identified accordingly for reassembly.

F903B-59TK

Square Thermostat with 3-Way Diverter & Off Position Trim Kit

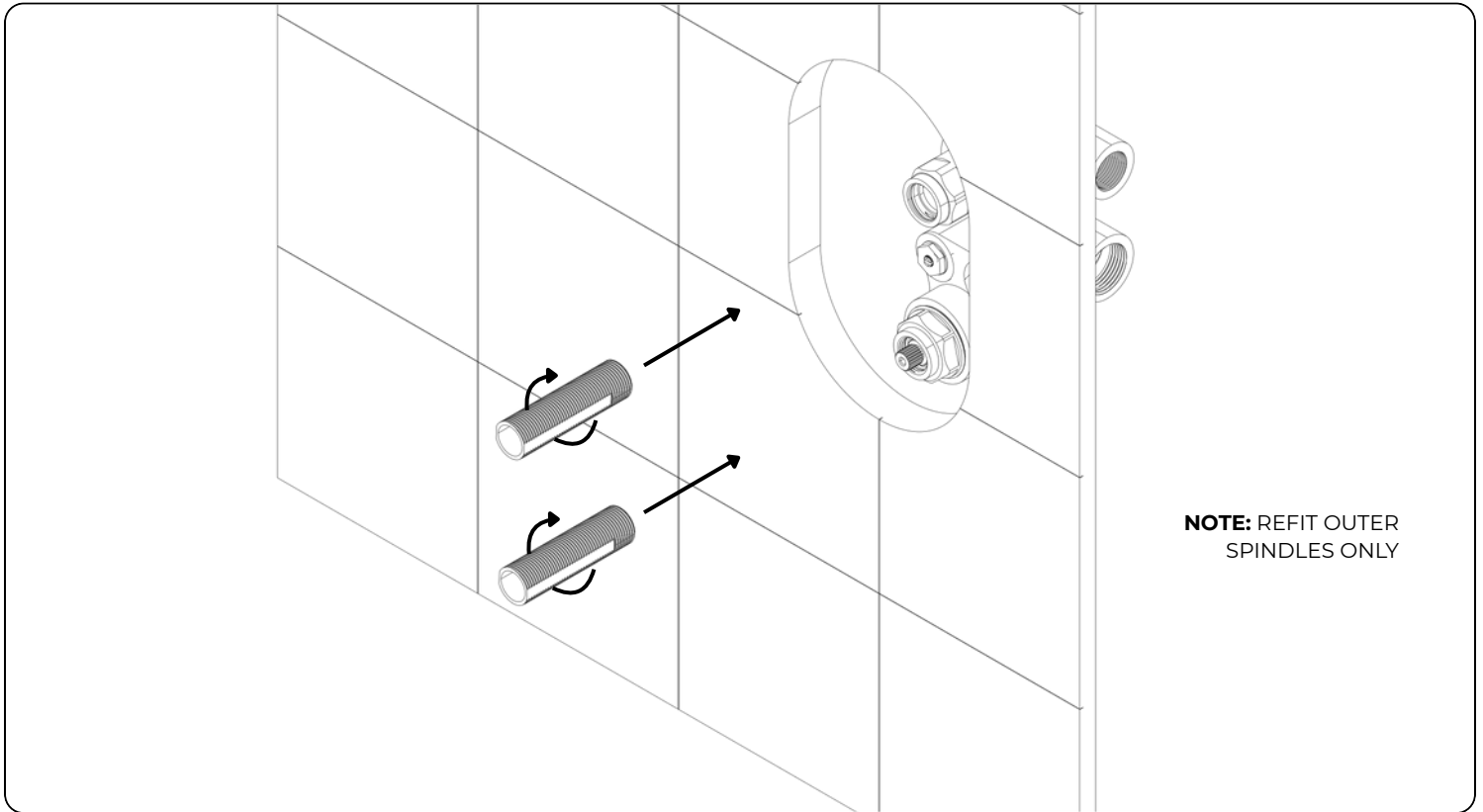
artos®

INSTALLATION GUIDE

FOR F973VO OR F973NSVO



STEP 2



Once the internal components have been identified and removed, reinsert only the outer spindles into both the diverter and thermostatic valve bodies.

Note: Ensure that each spindle is fully seated and secured with a snug fit, as a proper connection at this stage is essential for accurate alignment and secure attachment of trim components in the following steps.

F903B-59TK

Square Thermostat with 3-Way Diverter & Off Position Trim Kit

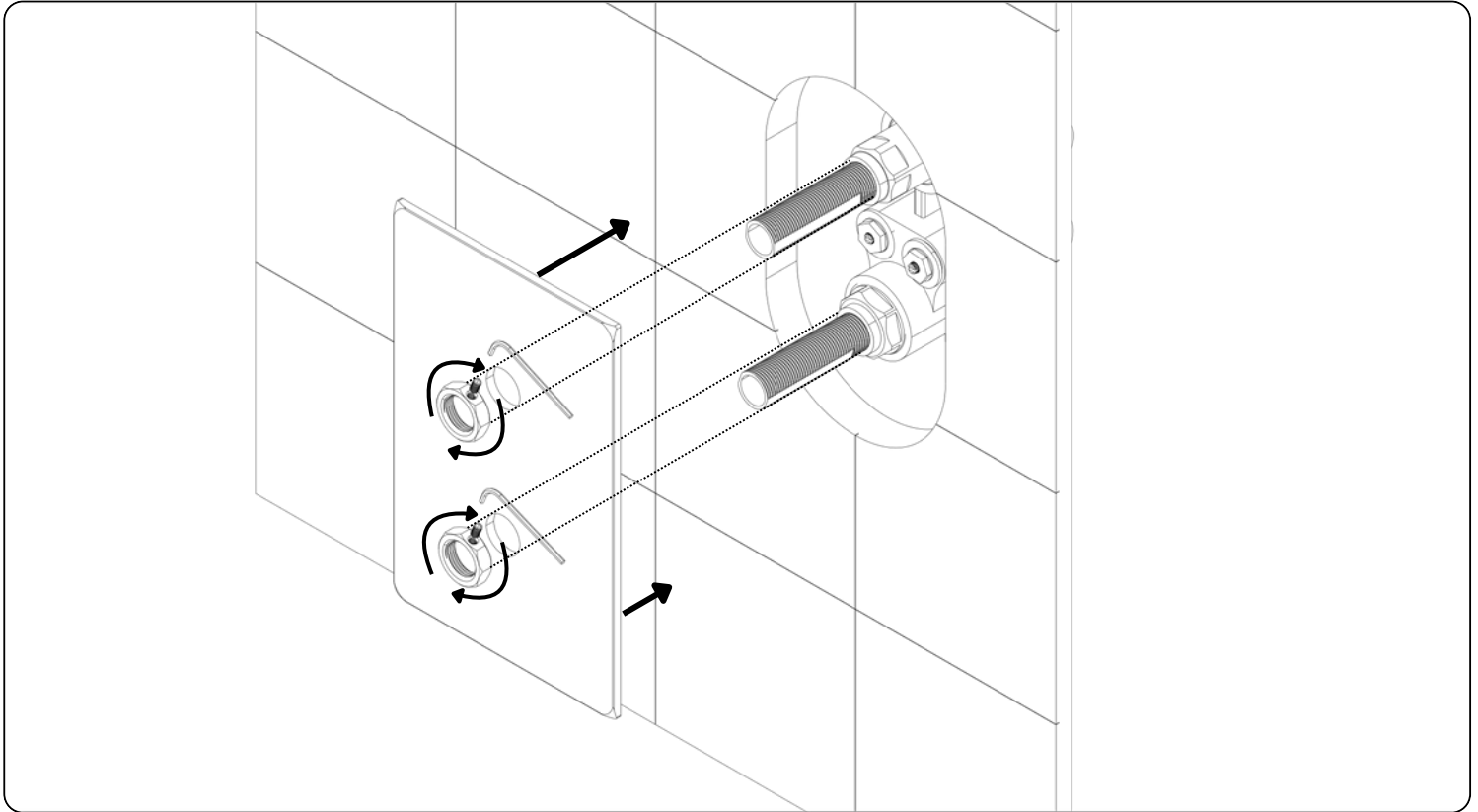
artos®

INSTALLATION GUIDE

FOR F973VO OR F973NSVO



STEP 3



Secure the escutcheon trim over the installed spindles by tightening the locking nut set screw using the included Allen wrench.

Ensure the escutcheon is firmly pressed against the finished wall surface to create a flush, secure fit. A tight seal at this stage is critical—if the trim is not properly aligned and tightened against the wall, the final trim components may not sit correctly or align properly during the final assembly.

F903B-59TK

Square Thermostat with 3-Way Diverter & Off Position Trim Kit

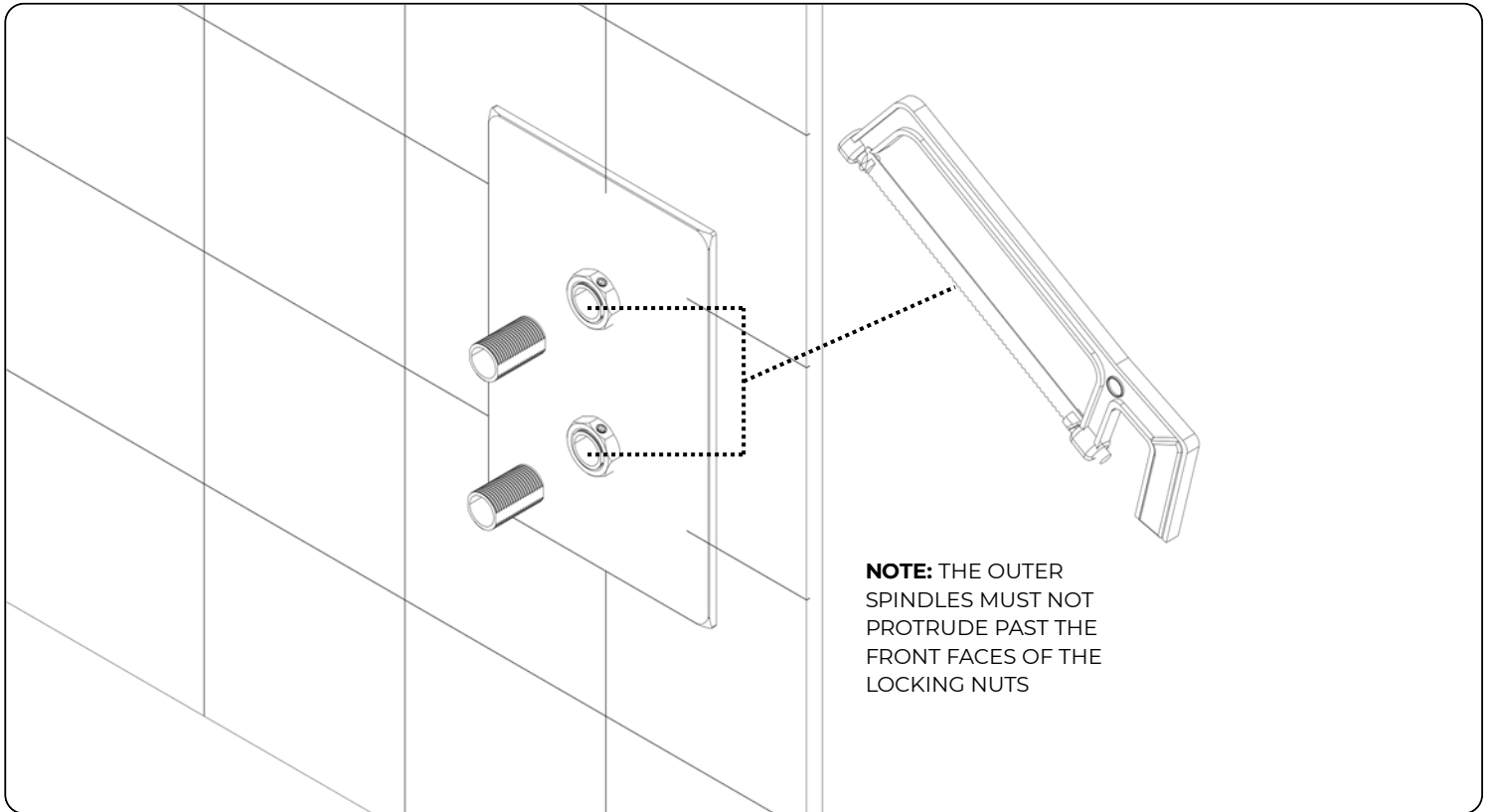
artos®

INSTALLATION GUIDE

FOR F973VO OR F973NSVO



STEP 4



Using a marker or scribe, carefully mark the outer spindles at the point where they align flush with the face of the locking nuts. Once marked, **remove the outer spindles from the assembly and use a handsaw** to cut them down at the marks. Cutting the spindles off the assembly prevents accidental damage to the locking nut or surrounding trim components. Take your time to ensure clean, square cuts so that the final trim pieces sit flush and properly align with the finished surface.

Note: Always confirm your marks against the installed position before cutting, and double-check that the cuts are smooth and even for best results.

F903B-59TK

Square Thermostat with 3-Way Diverter & Off Position Trim Kit

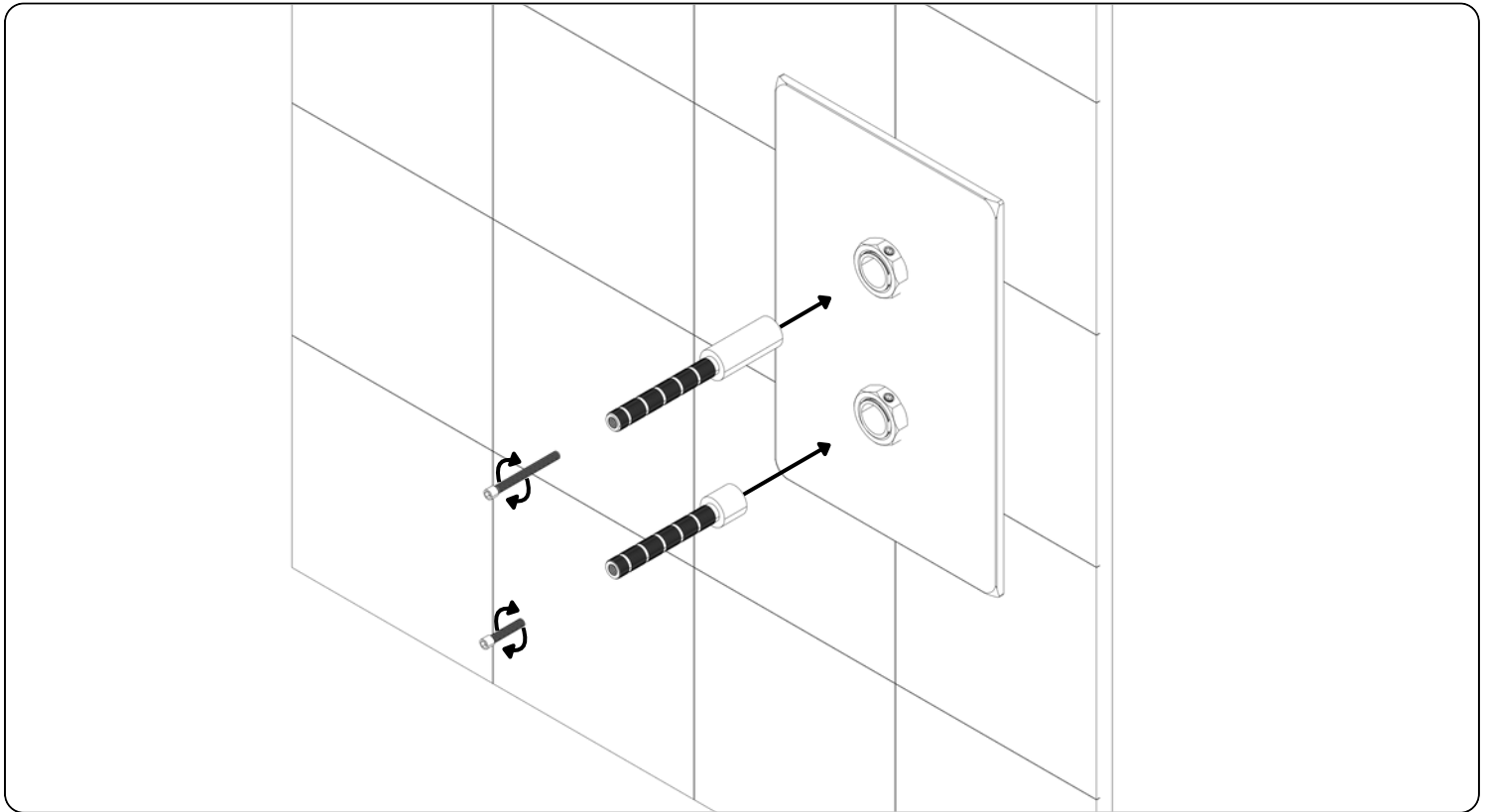
artos®

INSTALLATION GUIDE

FOR F973VO OR F973NSVO



STEP 5



Fully insert both the upper and lower inner spindles into their respective diverter valves, ensuring each inner spindle is properly aligned and seated. Once in place, secure each using its corresponding Allen bolt, tightening the bolts clockwise with the included Allen wrench until firmly fastened.

Ensure all components are properly aligned and that the spindles move freely in preparation for the final handle installation.

Note: The long spindle, along with the long M4 x 40 mm securing bolt, is specifically intended for the upper diverter valve and must be used accordingly to ensure proper fit and function.

F903B-59TK

Square Thermostat with 3-Way Diverter & Off Position Trim Kit

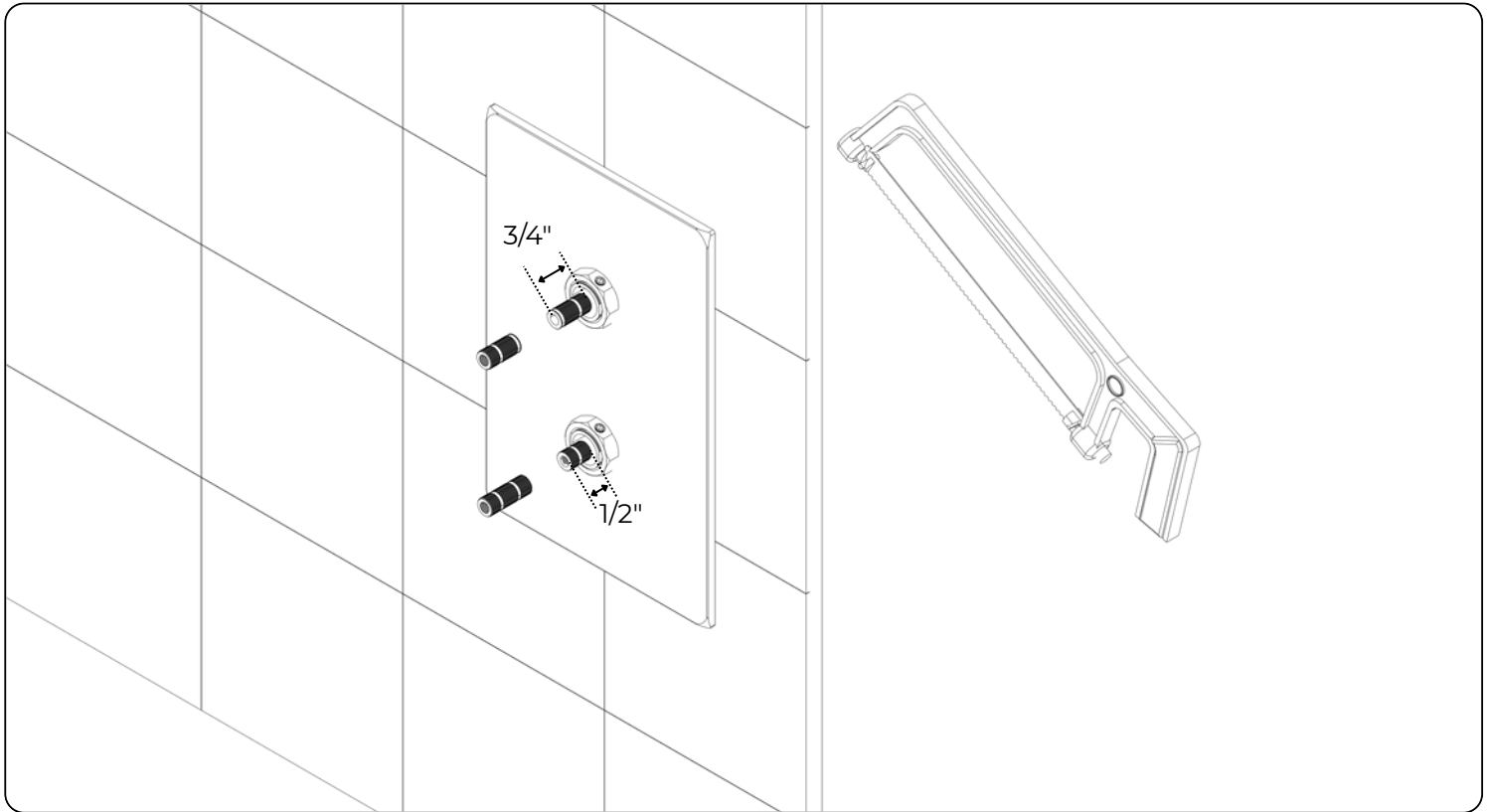
artos®

INSTALLATION GUIDE

FOR F973VO OR F973NSVO



STEP 6



Using a handsaw, carefully trim the inner spindle of the diverter valve (upper) to a length of 3/4 inch and the inner spindle of the thermostatic valve (lower) to 1/2 inch, measured from the face of the locking nut.

Ensure that the cuts are clean and precise to allow proper fitment of the final trim pieces. Take care not to damage the escutcheon trim, locking nut, or surrounding surfaces during the cutting process.

Note: Do not cut the spindles too short, as this may prevent the handles from engaging properly or fully seating during final assembly. Double-check measurements before making each cut.

F903B-59TK

Square Thermostat with 3-Way Diverter & Off Position Trim Kit

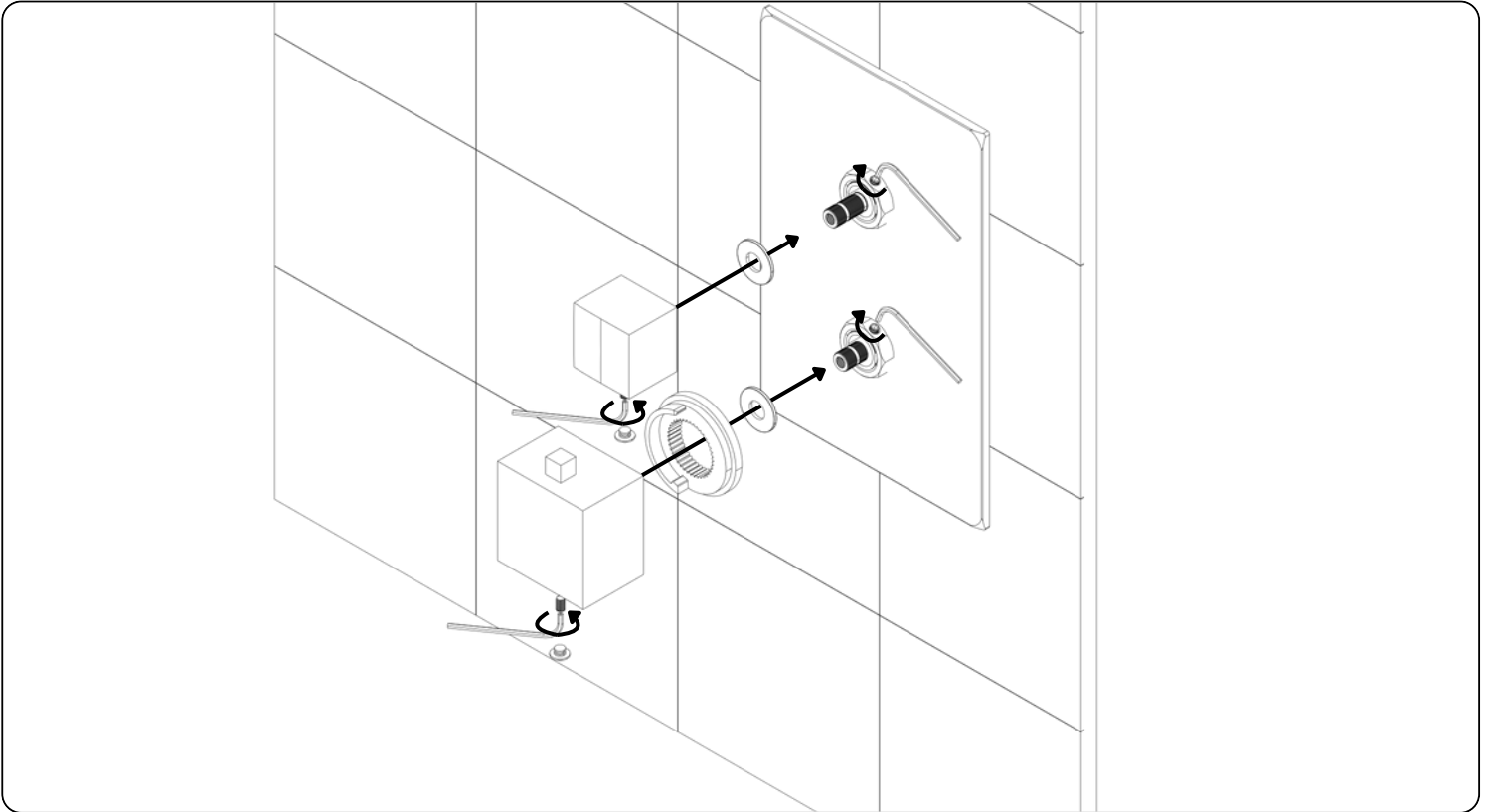
artos®

INSTALLATION GUIDE

FOR F973VO OR F973NSVO



STEP 7



Begin by verifying that the locking nut and set screw are securely tightened to ensure the escutcheon trim remains firmly seated against the finished wall surface. Once confirmed, turn the inner spindles to the preferred position and slide the included nylon washer over the protruding spindle, ensuring it sits between handle and escutcheon trim

On the diverter (upper) valve, install the diverter handle by positioning it onto the spindle. Screw the diverter lever handle into the top of the diverter handle until it is hand-tight and properly aligned vertically. Once aligned, tighten the set screw with the included Allen wrench to secure the handle. Finally, insert the decorative hole cap into the set screw opening for a clean, finished appearance.

Next, move to the thermostatic (lower) valve. Place the temperature limiting ring onto the thermostatic spindle, resting it flat and centered. Position the thermostatic handle over the temperature limiting ring, ensuring proper orientation, and tighten its set screw firmly onto the spindle using the Allen wrench. Ensure both handles are securely installed, flush with the trim, and operate smoothly.

F903B-59TK

Square Thermostat with 3-Way Diverter & Off Position Trim Kit

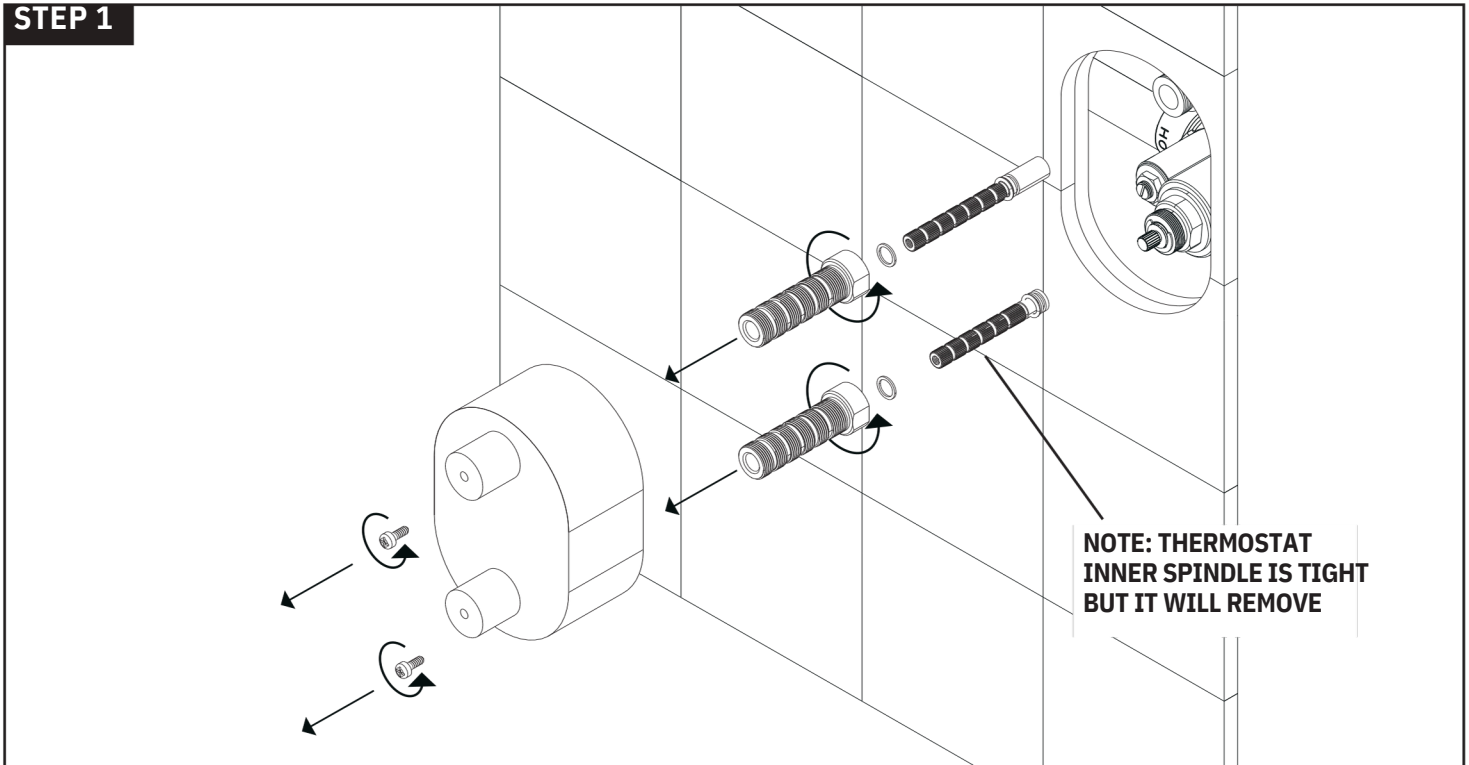
artos®

INSTALLATION GUIDE

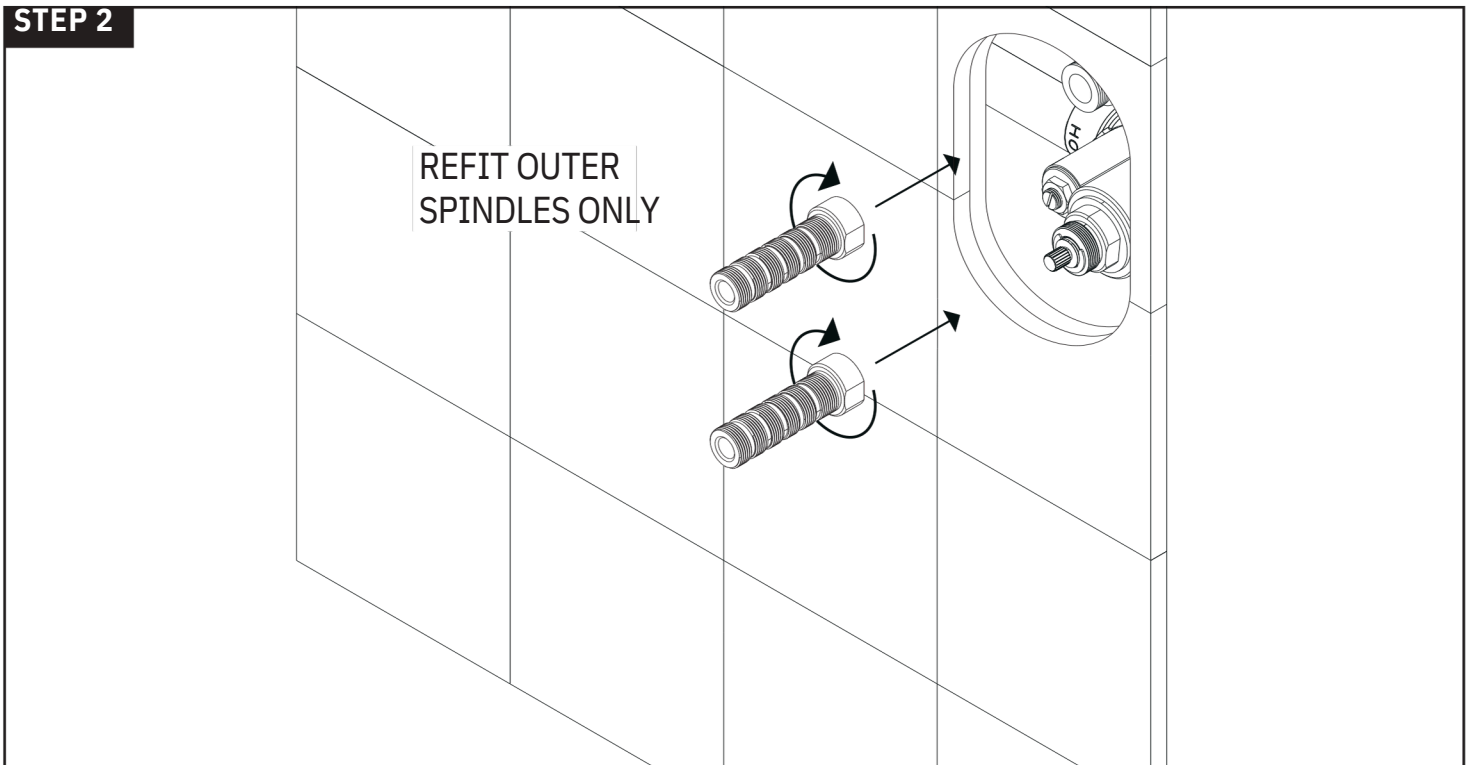
FOR F943-VO



STEP 1



STEP 2



F903B-59TK

Square Thermostat with 3-Way Diverter & Off Position Trim Kit

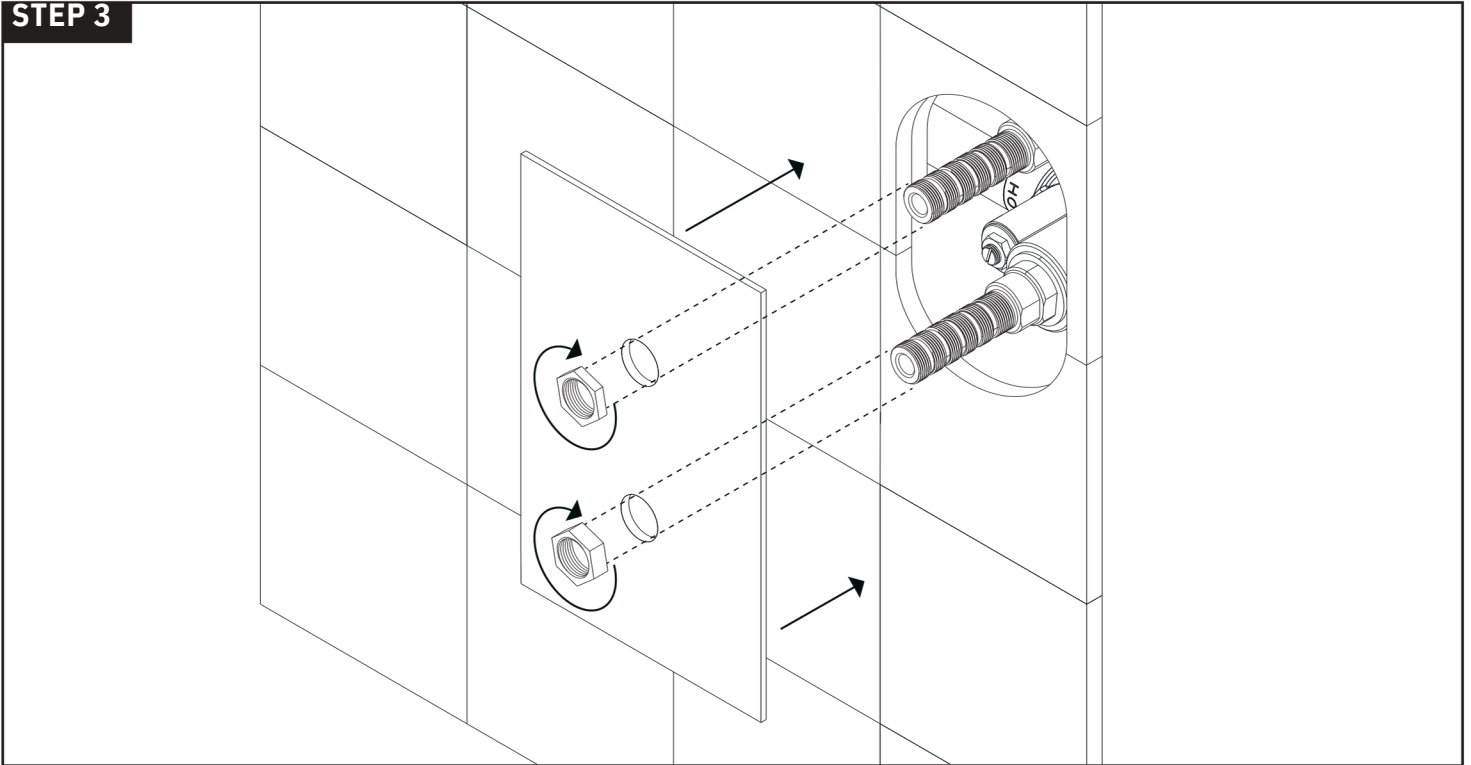
artos®

INSTALLATION GUIDE

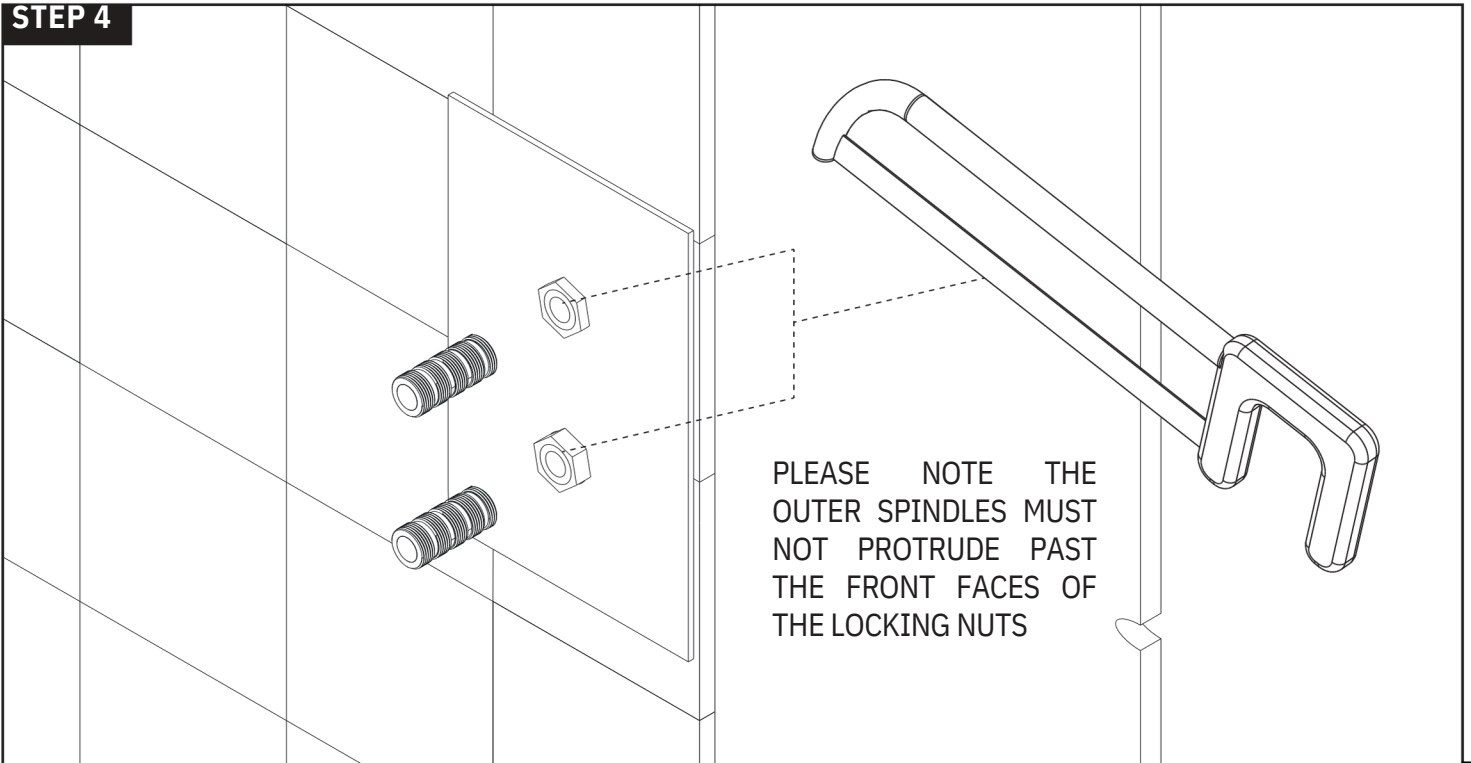
FOR F943-VO



STEP 3



STEP 4



F903B-59TK

Square Thermostat with 3-Way Diverter & Off Position Trim Kit

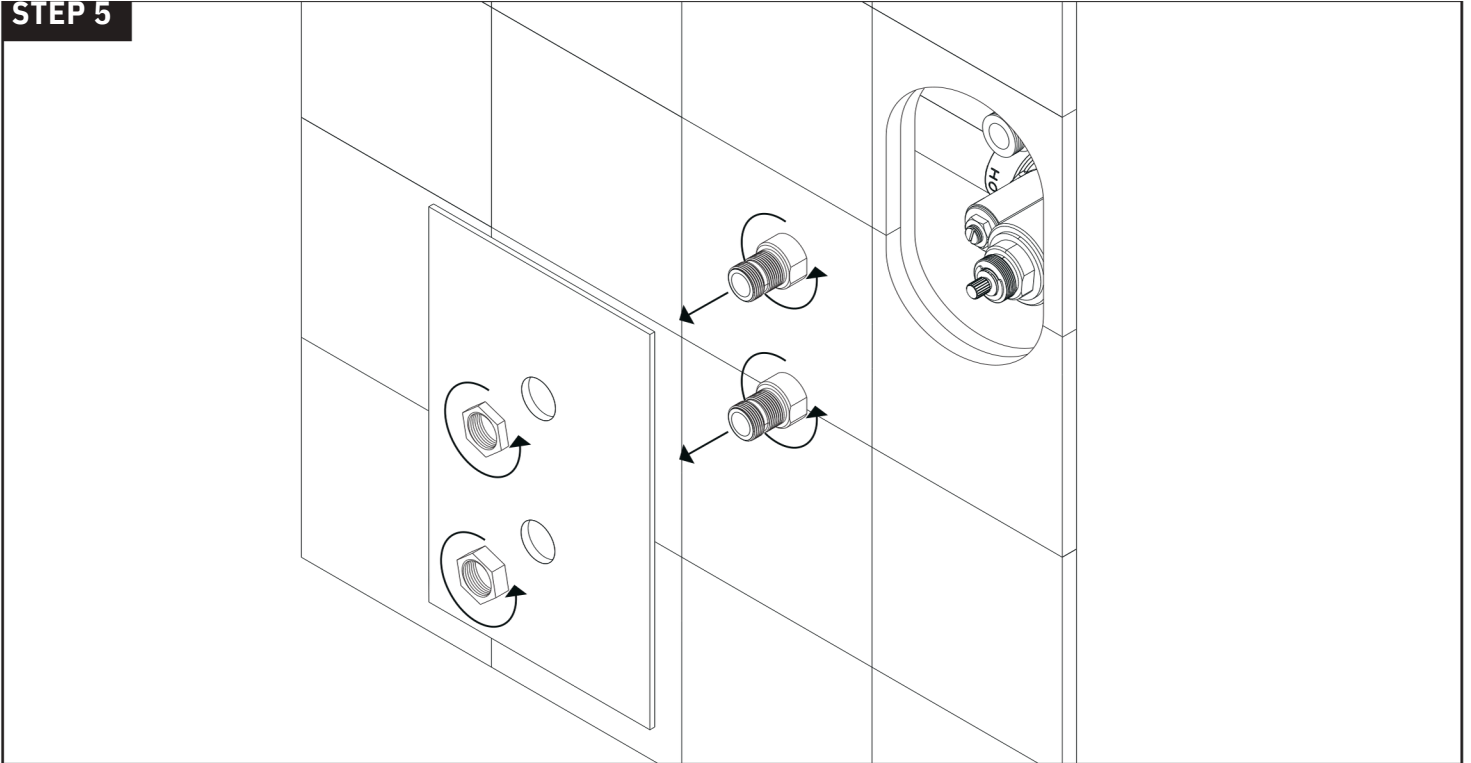
artos®

INSTALLATION GUIDE

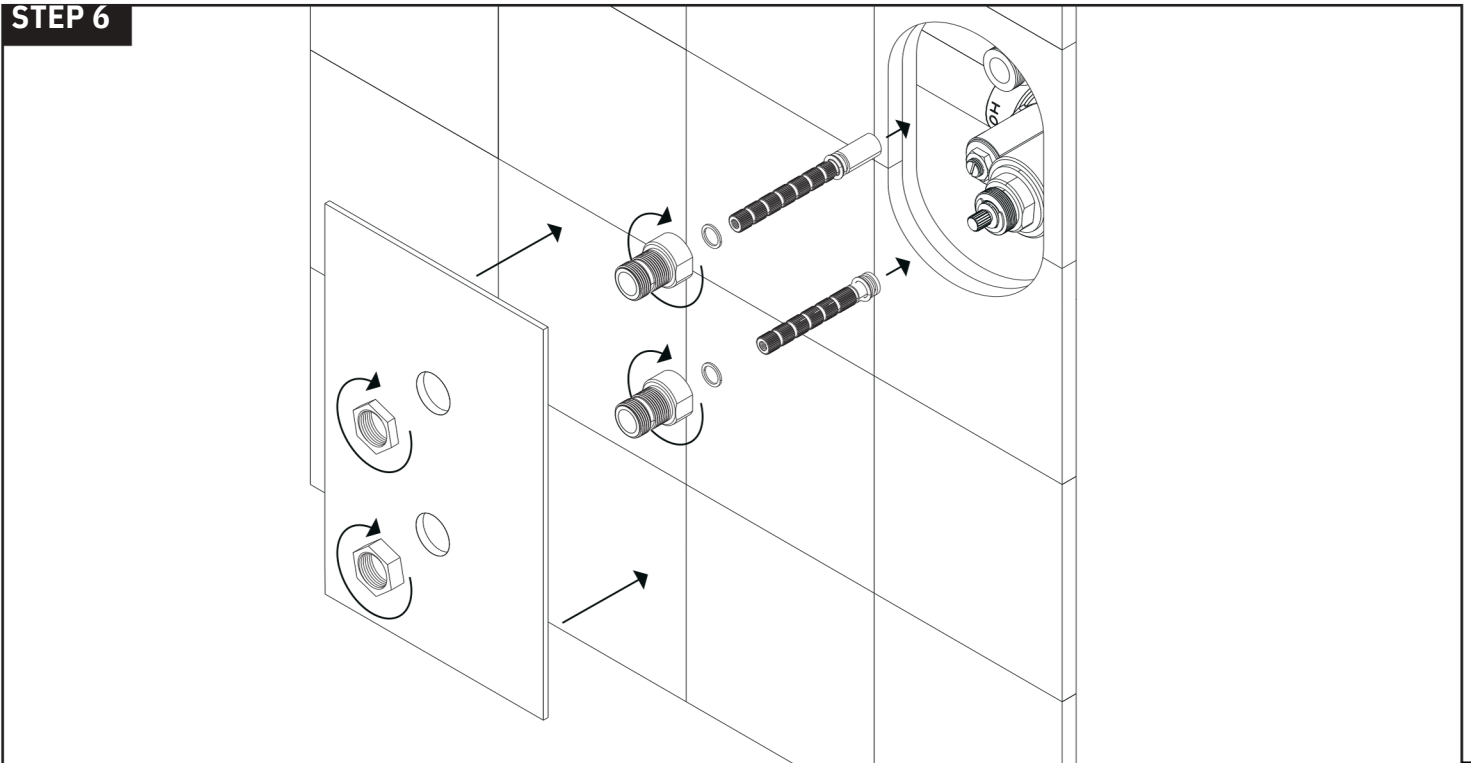
FOR F943-VO



STEP 5



STEP 6



F903B-59TK

Square Thermostat with 3-Way Diverter & Off Position Trim Kit

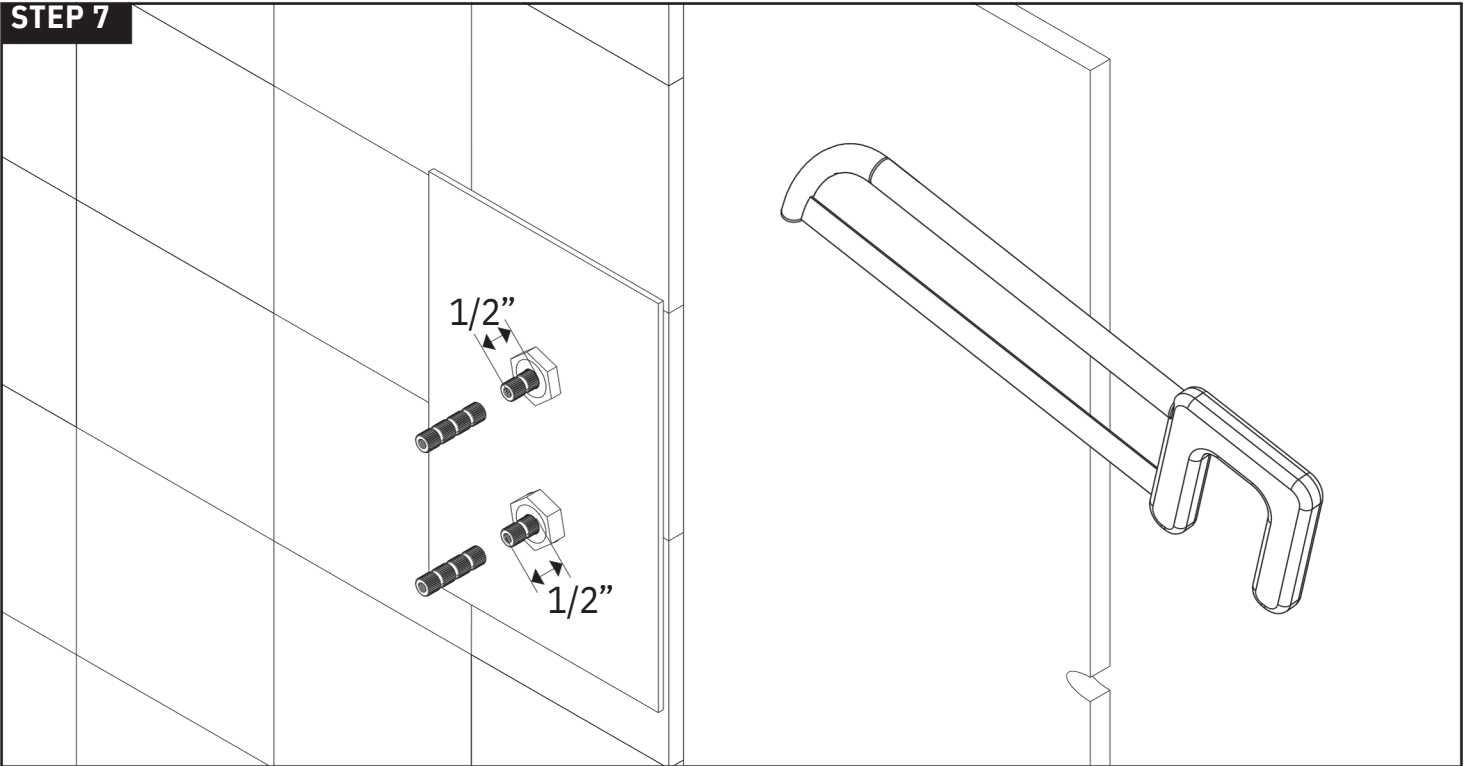
artos®

INSTALLATION GUIDE

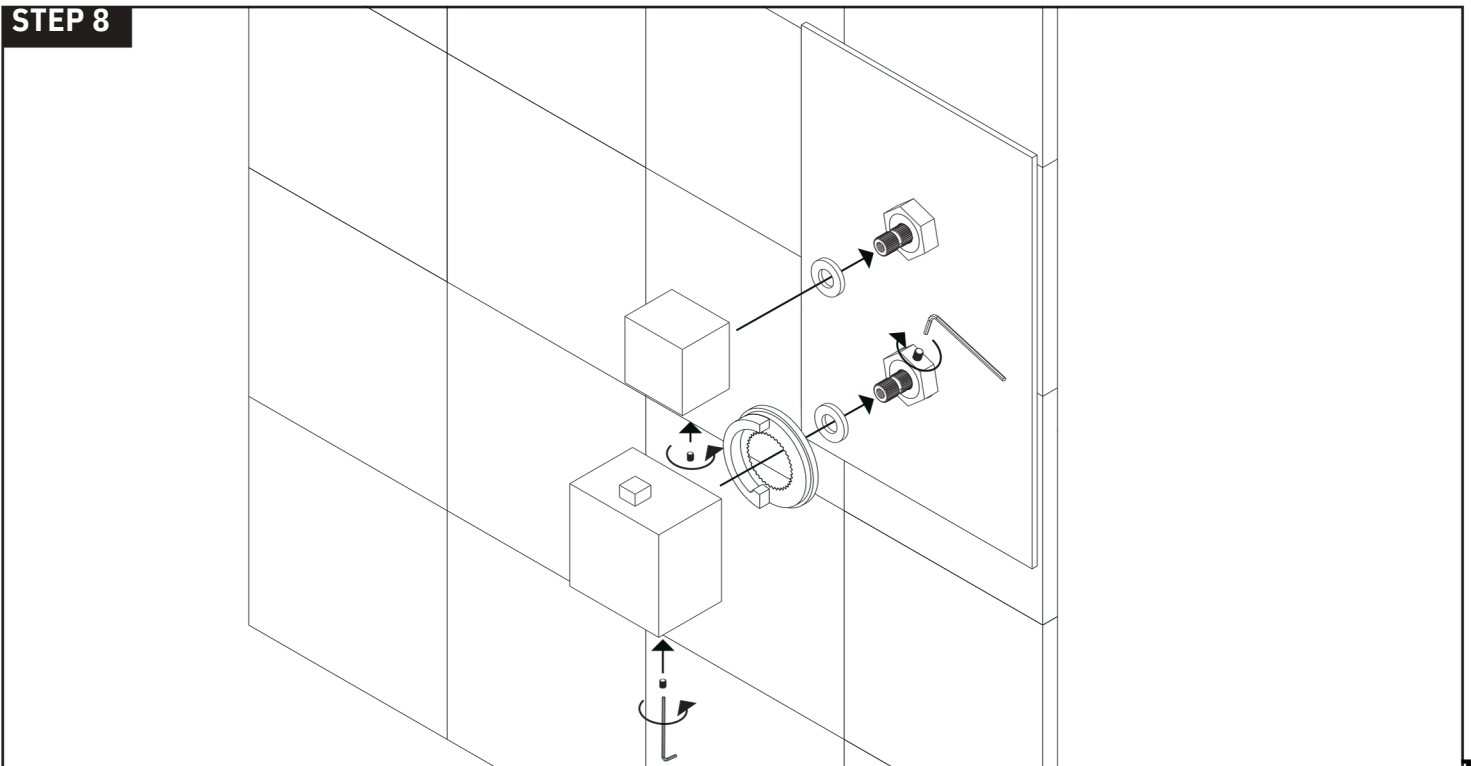
FOR F943-VO



STEP 7



STEP 8

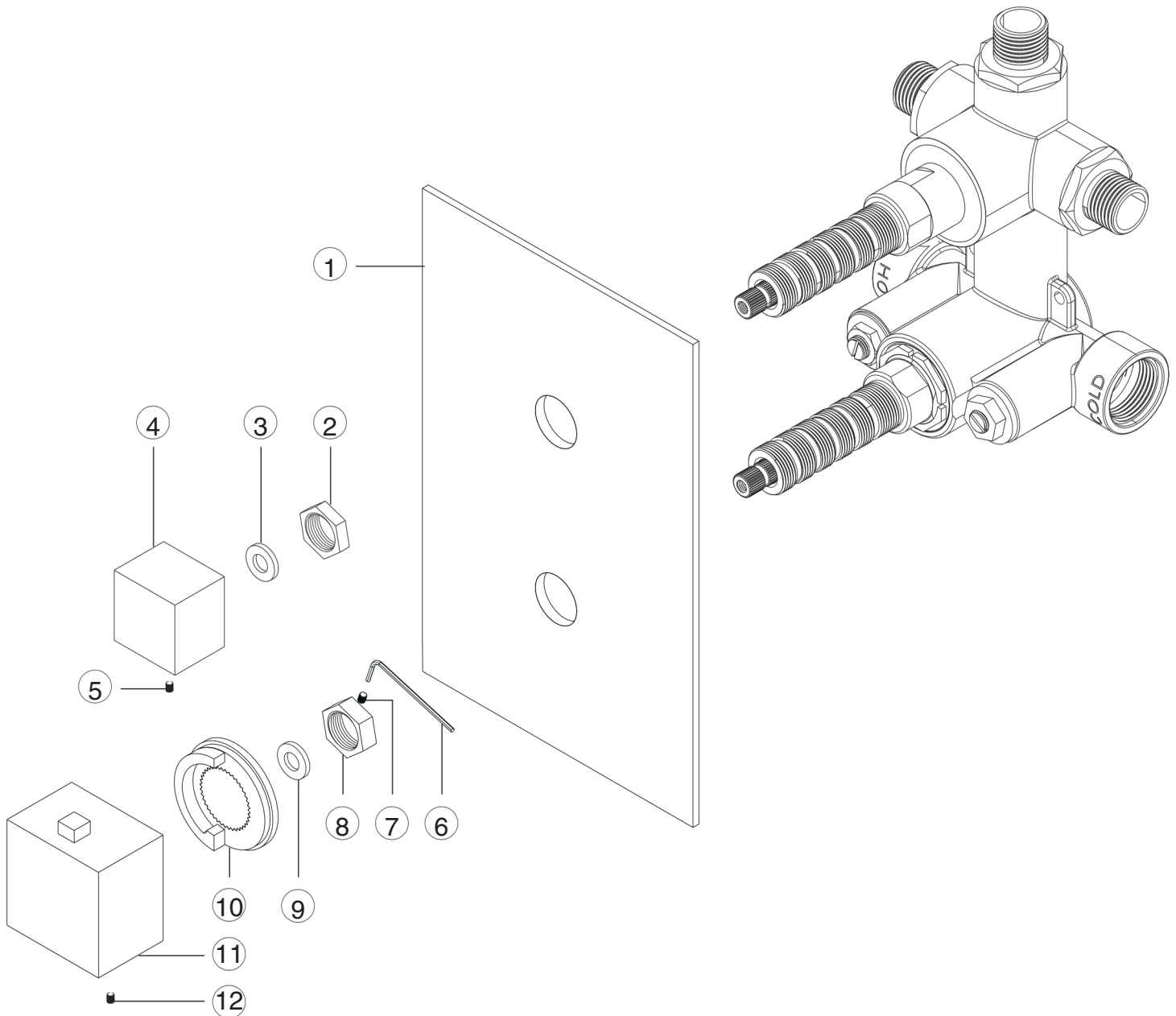


F903B-59TK

Square Thermostat with 3-Way Diverter & Off Position Trim Kit

artos®

PARTS BREAKDOWN



- | | |
|-------------------------|-----------------------------|
| ① ESCUTCHEON | ⑧ THERMOSTAT LOCKING NUT |
| ② DIVERTER LOCKING NUT | ⑨ NYLON WASHER |
| ③ NYLON WASHER | ⑩ TEMPERATURE LIMITING RING |
| ④ DIVERTER HANDLE | ⑪ THERMOSTAT HANDLE |
| ⑤ DIVERTER SET SCREW | ⑫ THERMOSTAT SET SCREW |
| ⑥ ALLEN WRENCH | |
| ⑦ LOCKING NUT SET SCREW | |