

# artos®

## F902-44

## INSTALLATION GUIDE

shower outlet elbow  
with hand shower  
holder round + square

BRUSHED NICKEL(BN)



CHROME(CH)



BLACK (BK)



# artos<sup>®</sup>

F902-44

shower outlet elbow  
with hand shower  
holder round + square

## OPERATING SPECIFICATIONS



### FEATURES

Integrated Water Outlet

### OPERATING PRESSURE

Minimum: 15 psi

Maximum: 75 psi

Above 90psi it may be necessary to install a pressure reducer

### OPERATING TEMPERATURE

Maximum: 176°

### INLET/OUTLET

1/2" Female NPT

### REQUIREMENTS

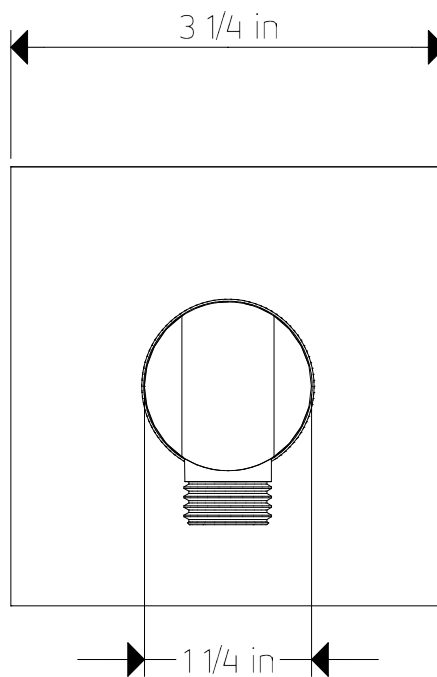
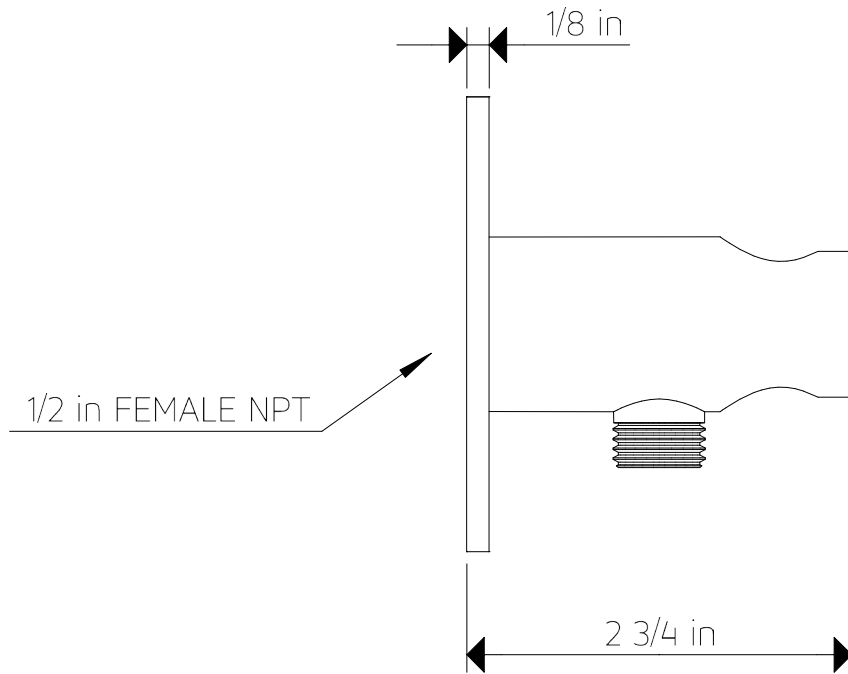
This unit requires a control

# artos<sup>®</sup>

F902-44

**PRODUCT DIMENSIONS**

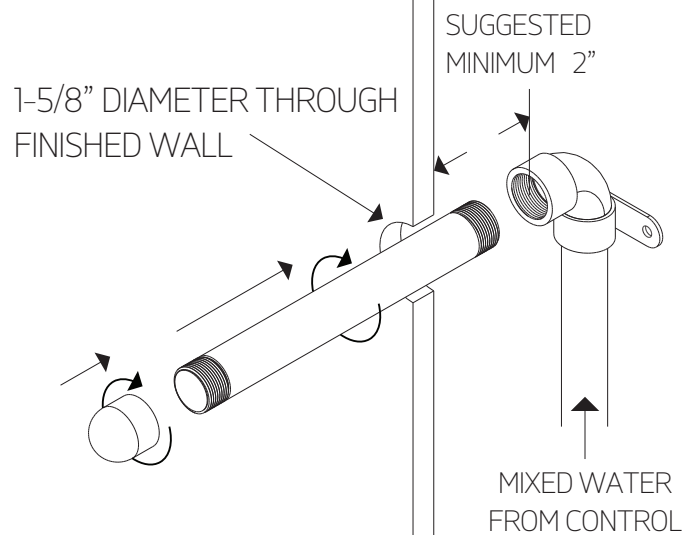
shower outlet elbow  
with hand shower  
holder round + square



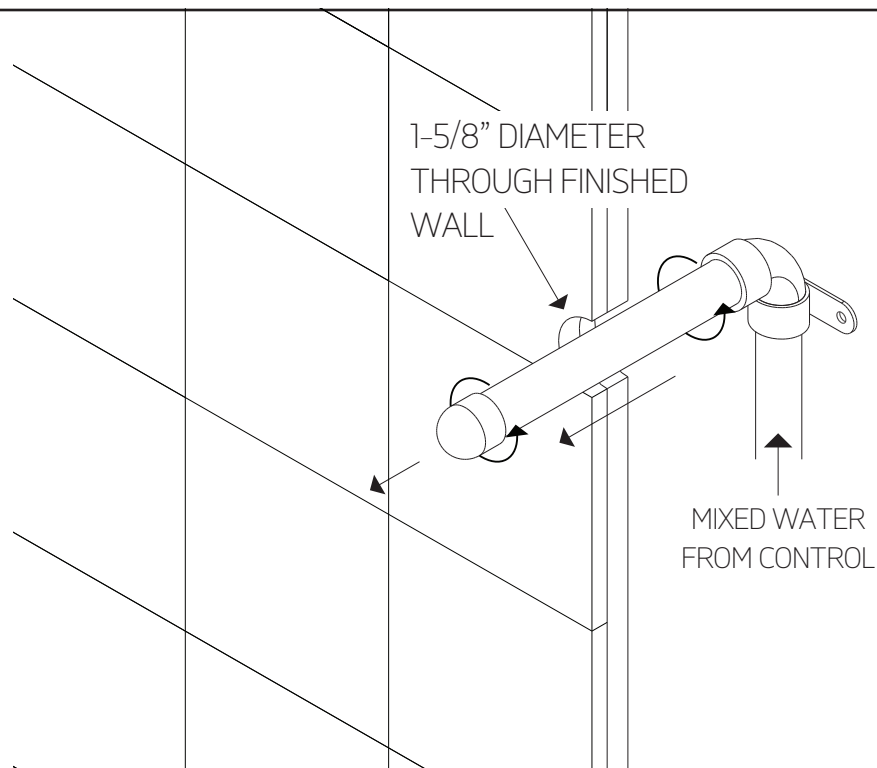
## F902-44

shower outlet elbow  
with hand shower  
holder round + square

### STEP 1

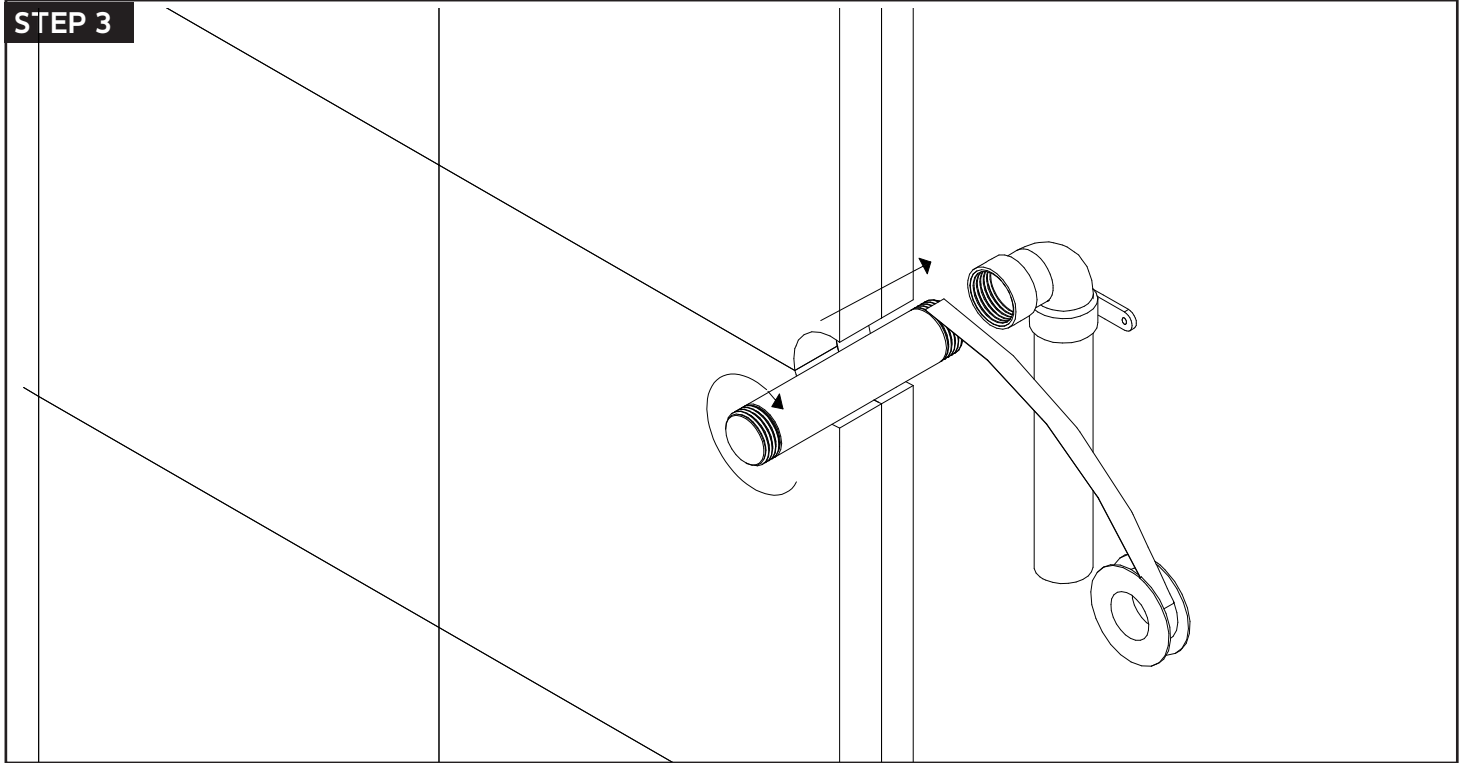


### STEP 2

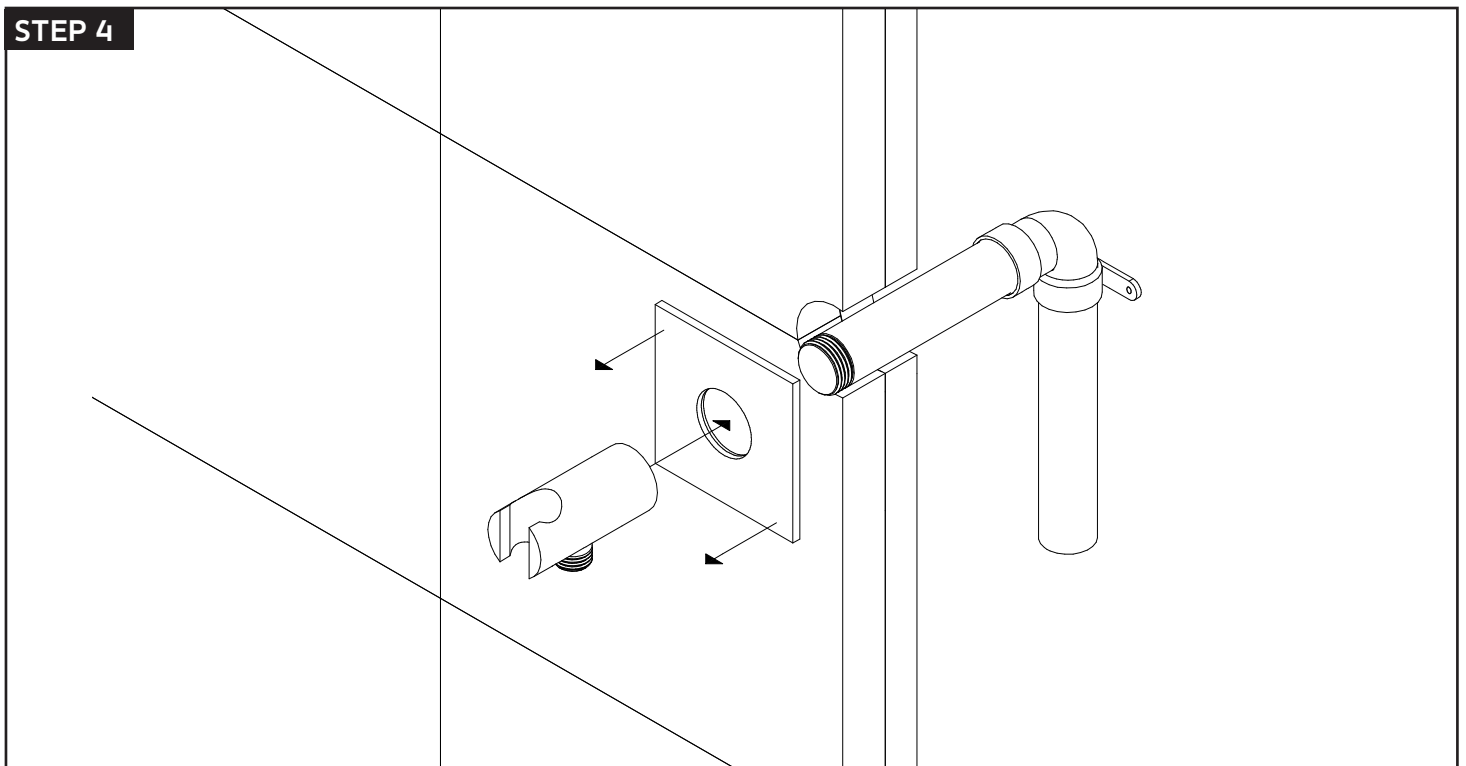


# INSTALLATION STEPS

## STEP 3



## STEP 4

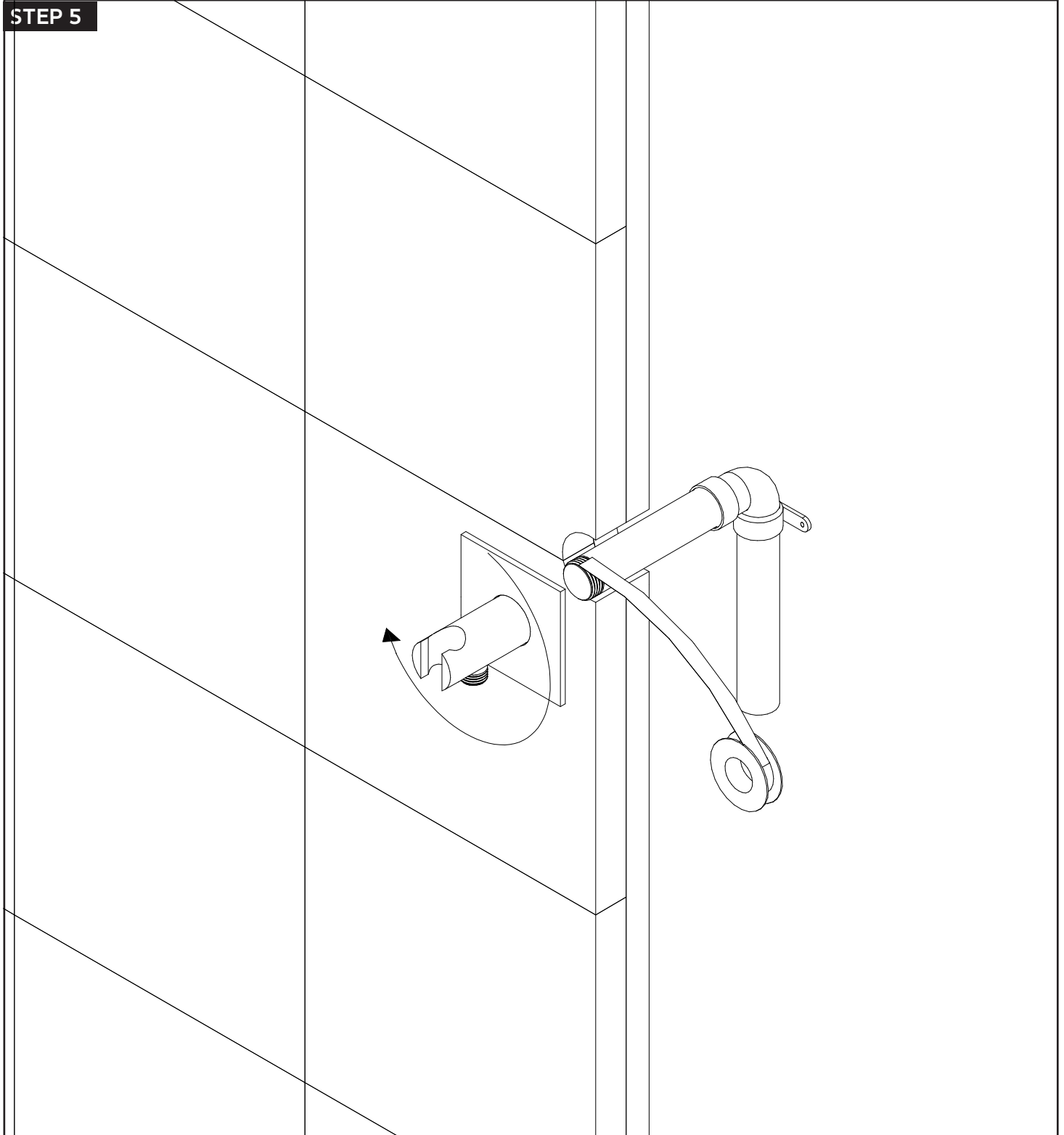


F902-44

## INSTALLATION STEPS

shower outlet elbow  
with hand shower  
holder round + square

### STEP 5

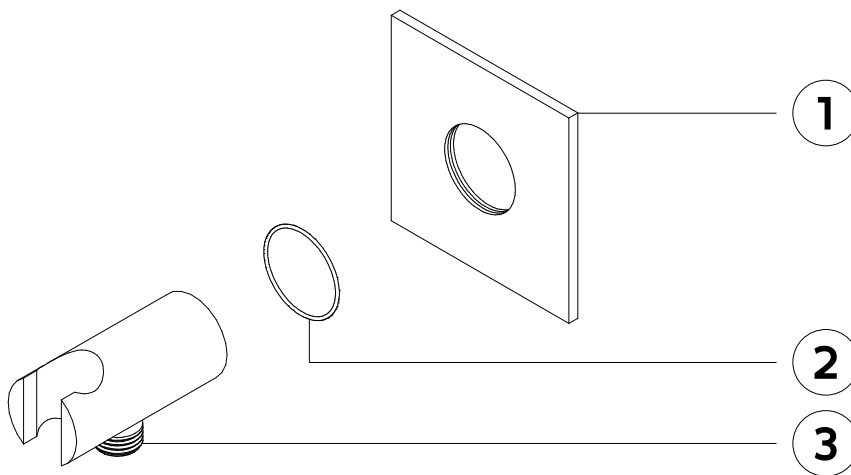


# artos<sup>®</sup>

F902-44

## PARTS BREAKDOWN

shower outlet elbow  
with hand shower  
holder round + square



- 1 ESCUTCHEON
- 2 O-RING
- 3 SHOWER OUTLET ELBOW