

# artos<sup>®</sup>

F803-5V0

in wall mounting kit

**INSTALLATION GUIDE**



# artos<sup>®</sup>

## F803-5V0

in wall mounting kit

## OPERATING SPECIFICATIONS



### FEATURES

Dual Function- Rainhead, Waterfall or both

### OPERATING PRESSURE

Minimum: 15 psi

Maximum: 75 psi

Above 90psi it may be necessary to install a pressure reducer

### OPERATING TEMPERATURE

Maximum: 176°

### INLET/OUTLET

1/2" Female NPT

### FLOW RATE

Rainhead: 1.8 GPM

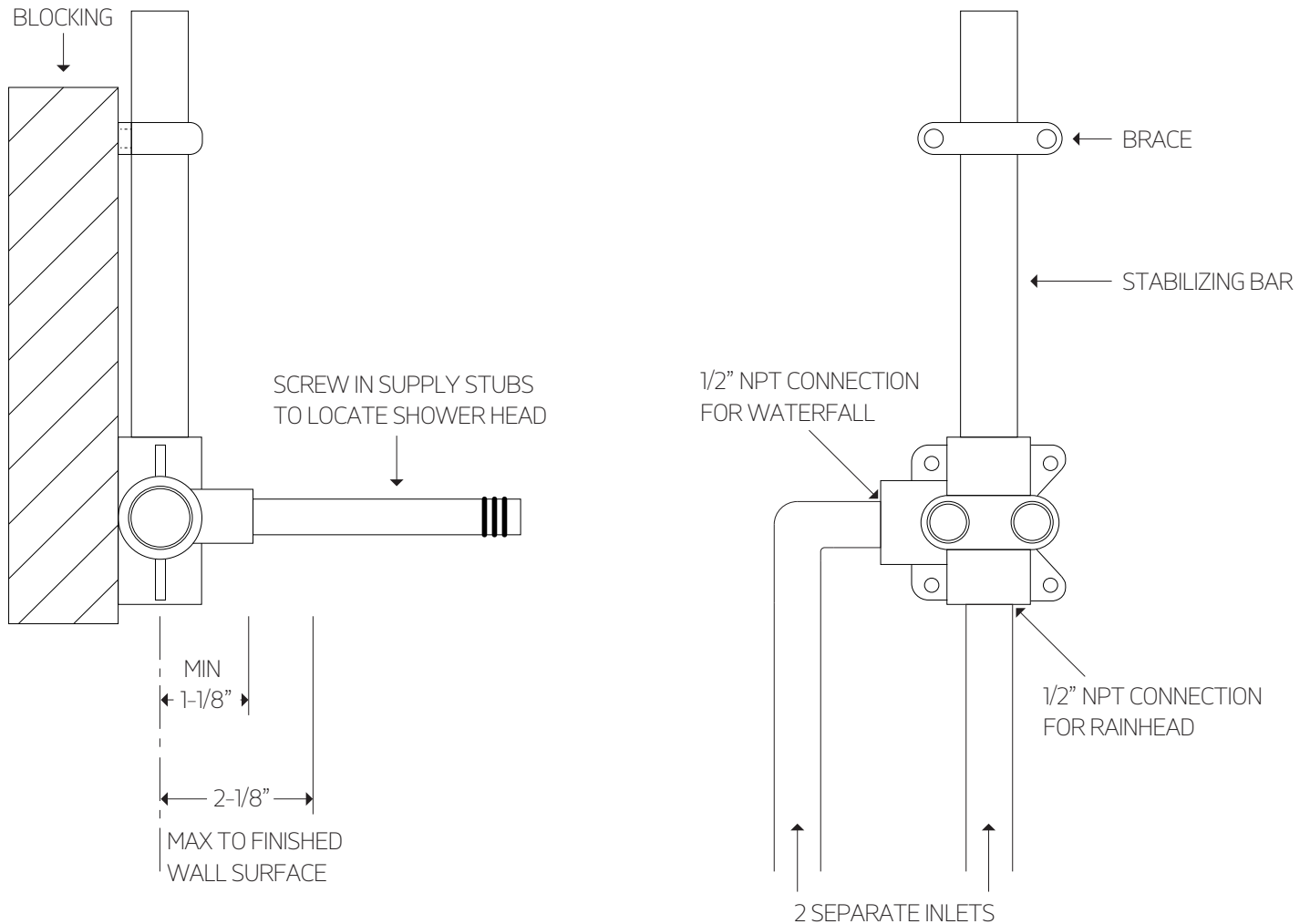
Waterfall: 1.8 GPM

### REQUIREMENTS

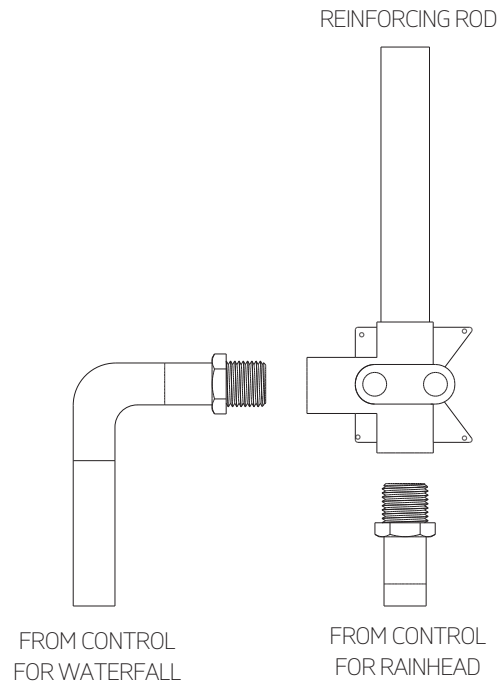
This unit requires 2 inlet controls

### APPROVALS





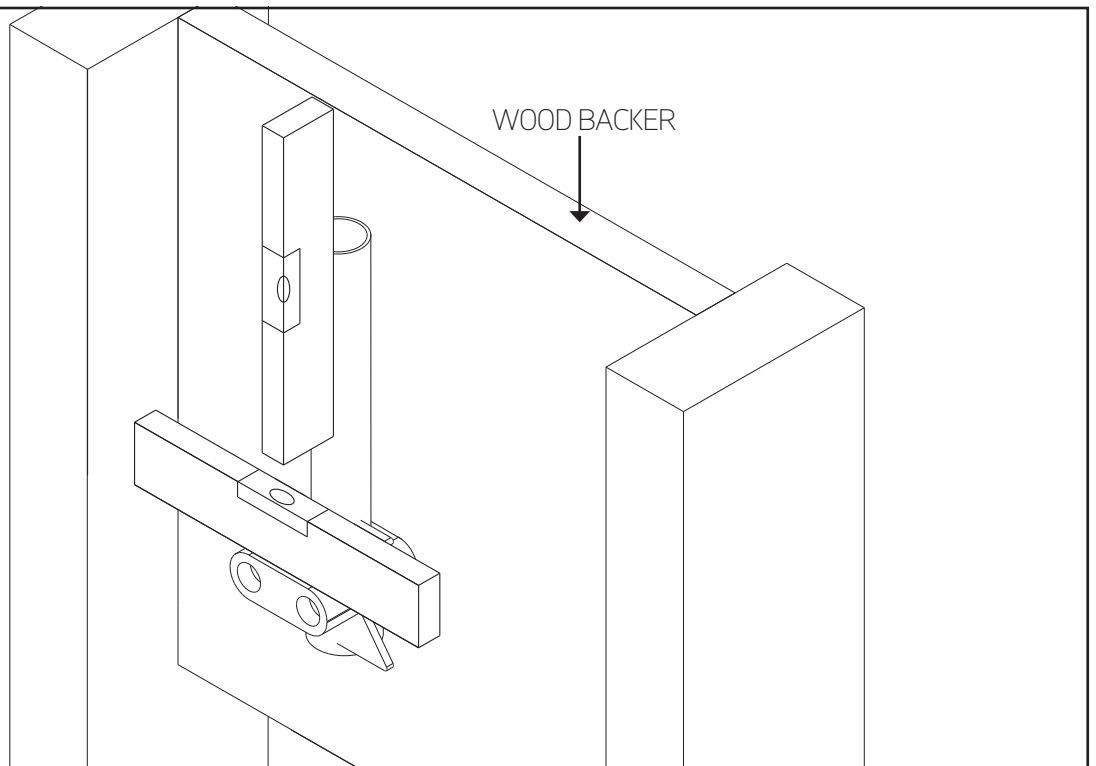
### STEP 1



### STEP 2

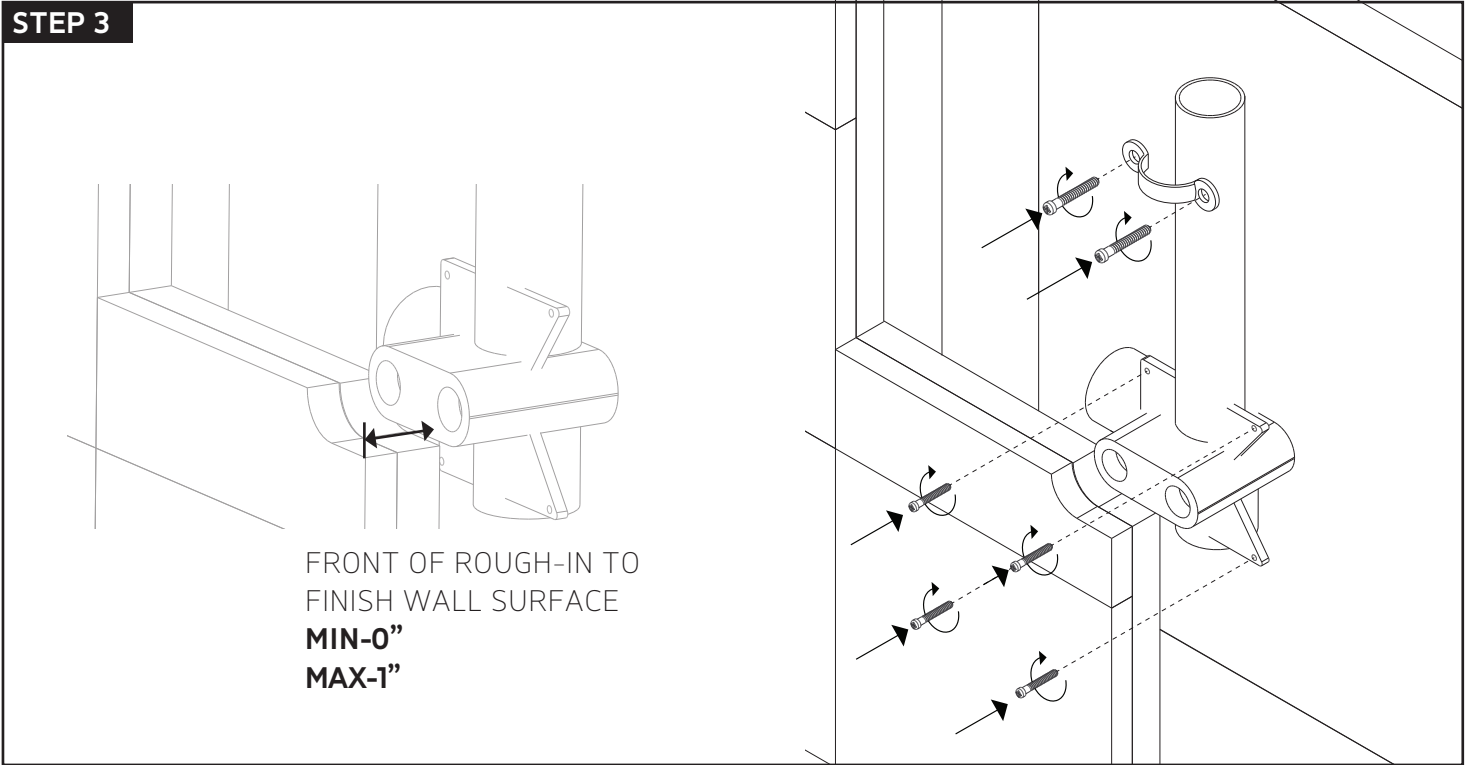
USE LEVEL TO ENSURE  
ROUGH-IN IS SQUARE

WOOD BACKER

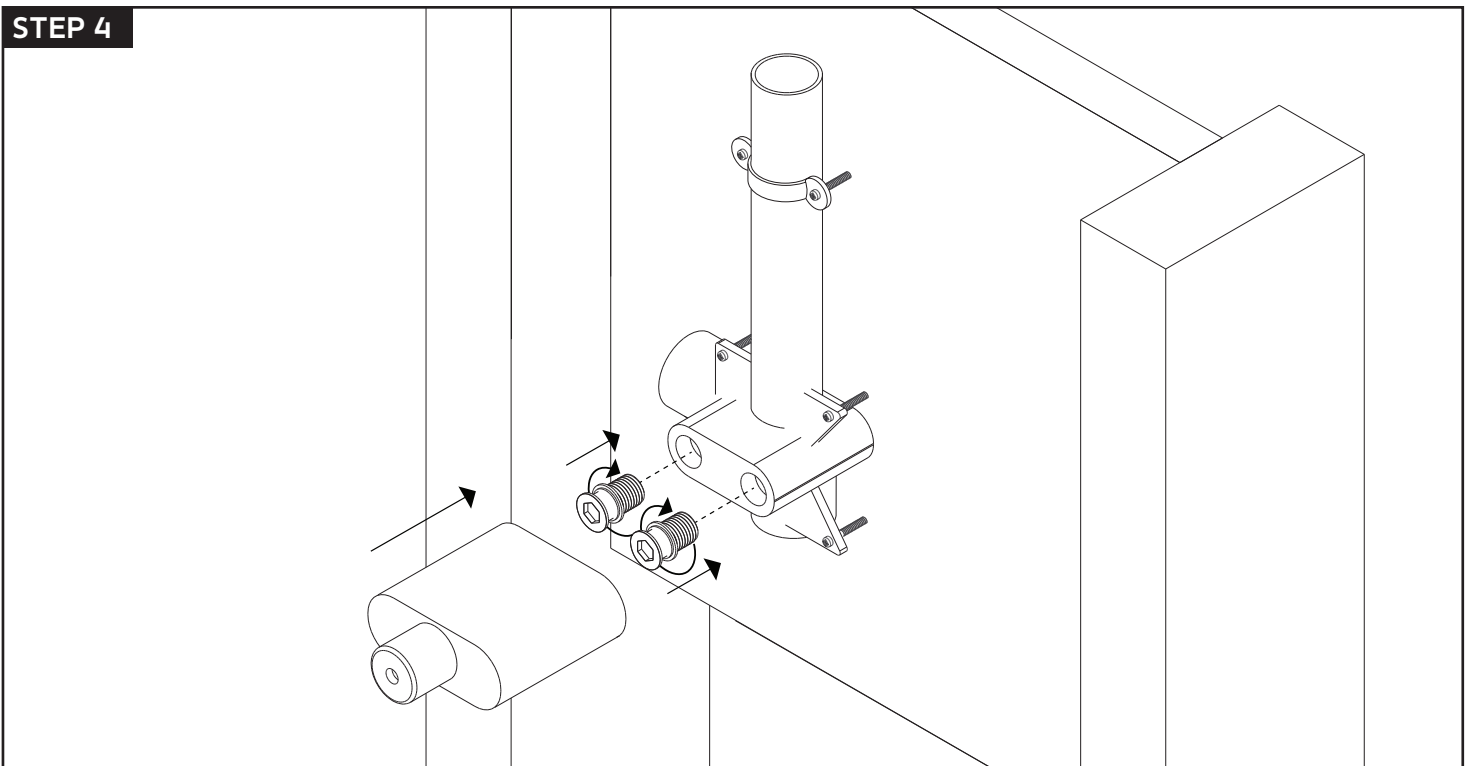


# INSTALLATION STEPS

## STEP 3



## STEP 4

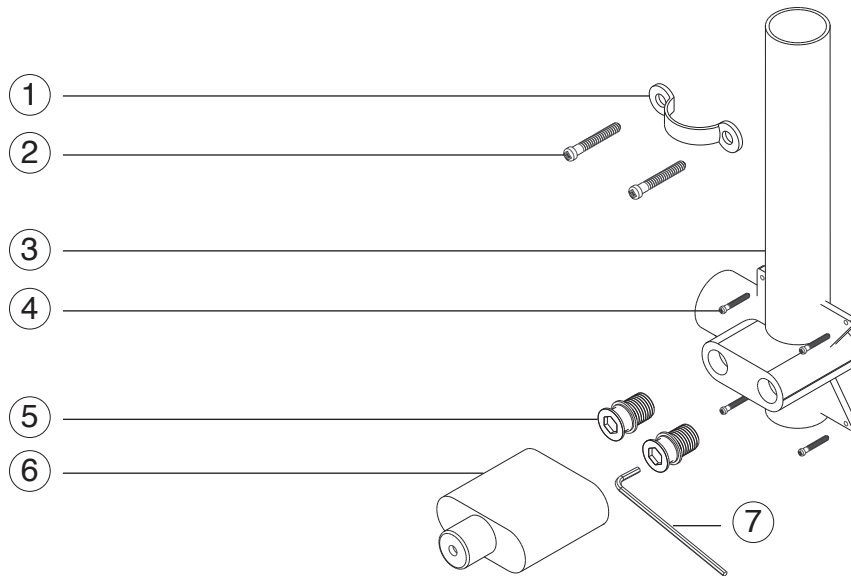


# artos<sup>®</sup>

## F803-5V0

## PARTS BREAKDOWN

dual function shower head  
valve



- ① SUPPORT BAR BRACKET
- ② SUPPORT BRACKET SCREWS(4)
- ③ ROUGH-IN
- ④ ROUGH-IN SCREWS(4)
- ⑤ BLANK PLUGS(2)
- ⑥ PLASTER GUARD
- ⑦ ALLEN WRENCH