

artos[®]

F501-9-1

INSTALLATION GUIDE

opera in wall lav faucet single
handle, extended spout

BRUSHED NICKEL(BN)



CHROME(CH)



BLACK (BK)



artos[®]

F501-9-1

OPERATING SPECIFICATIONS

opera in wall lav faucet single
handle, extended spout



FEATURES

Integrated Control

OPERATING PRESSURE

Minimum: 15 psi

Maximum: 75 psi

Above 90psi it may be necessary to install a pressure reducer

OPERATING TEMPERATURE

Maximum: 176°

FLOW RATE

1.2 USGPM

APPROVALS

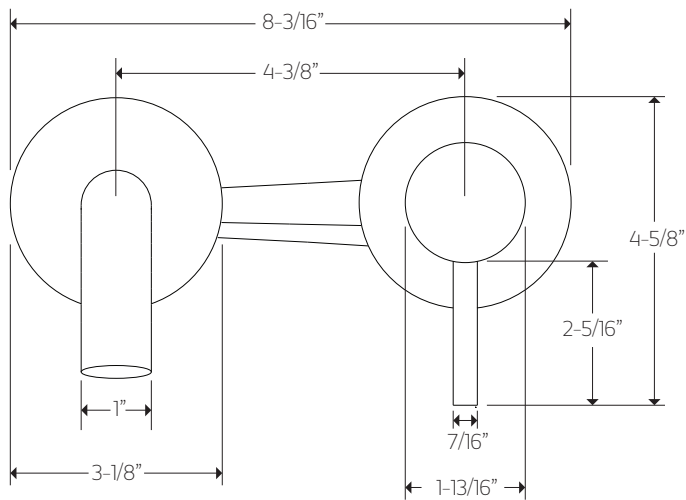
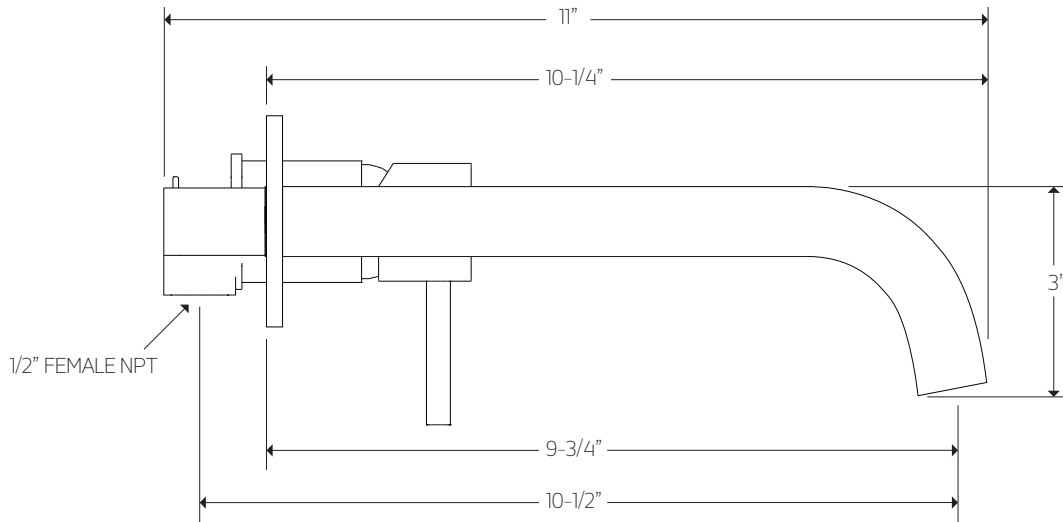


artos[®]

F501-9-1

PRODUCT DIMENSIONS

opera in wall lav faucet single
handle, extended spout

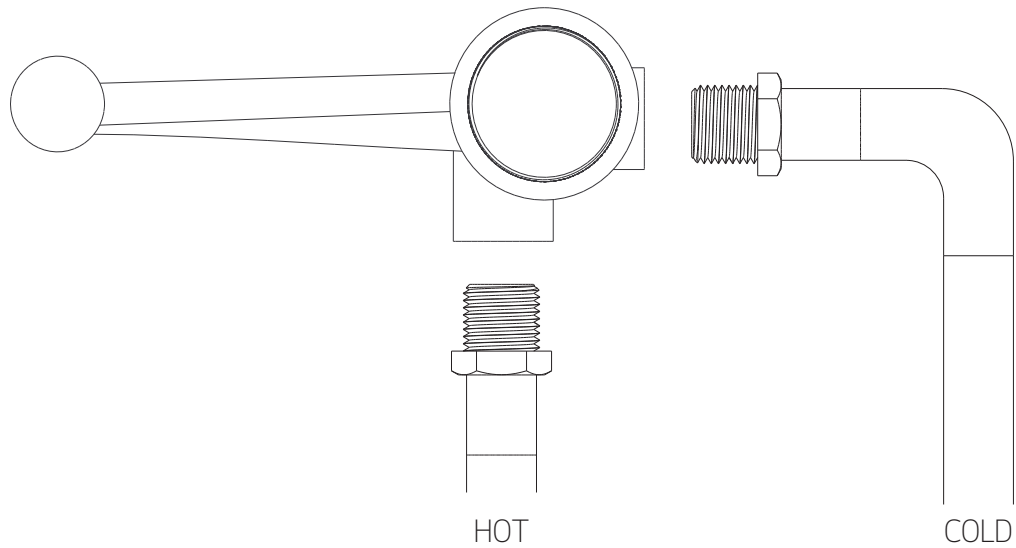


artos[®]

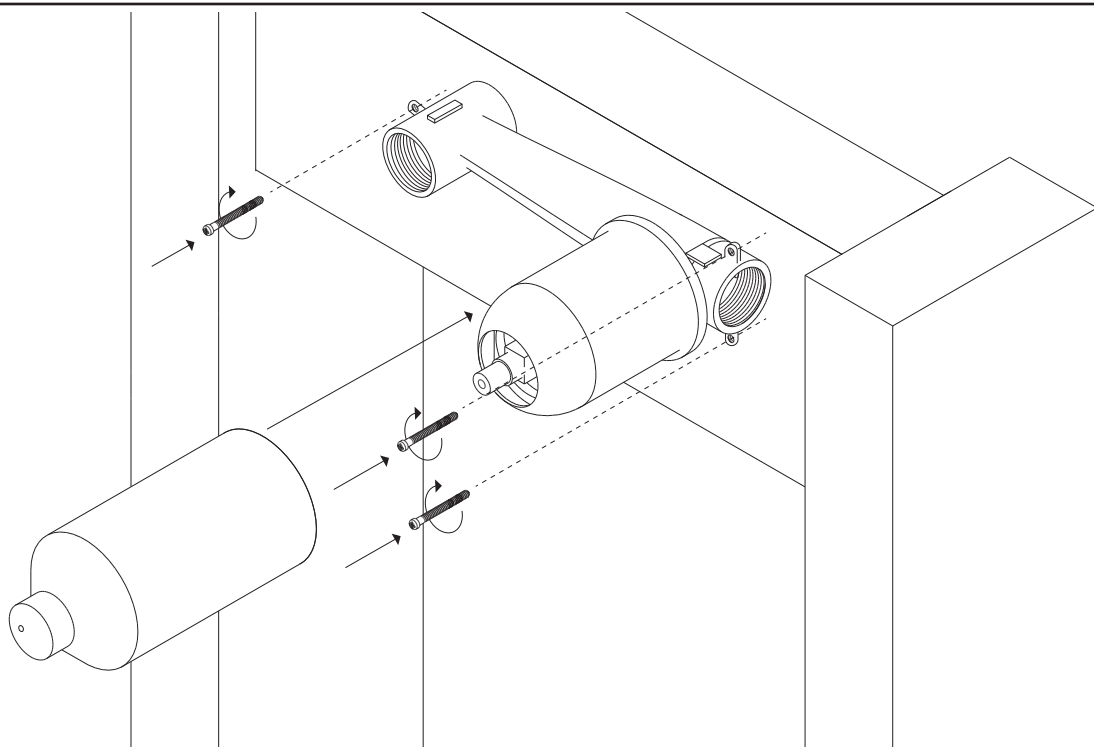
F501-9-1

opera in wall lav faucet single
handle, extended spout

STEP 1

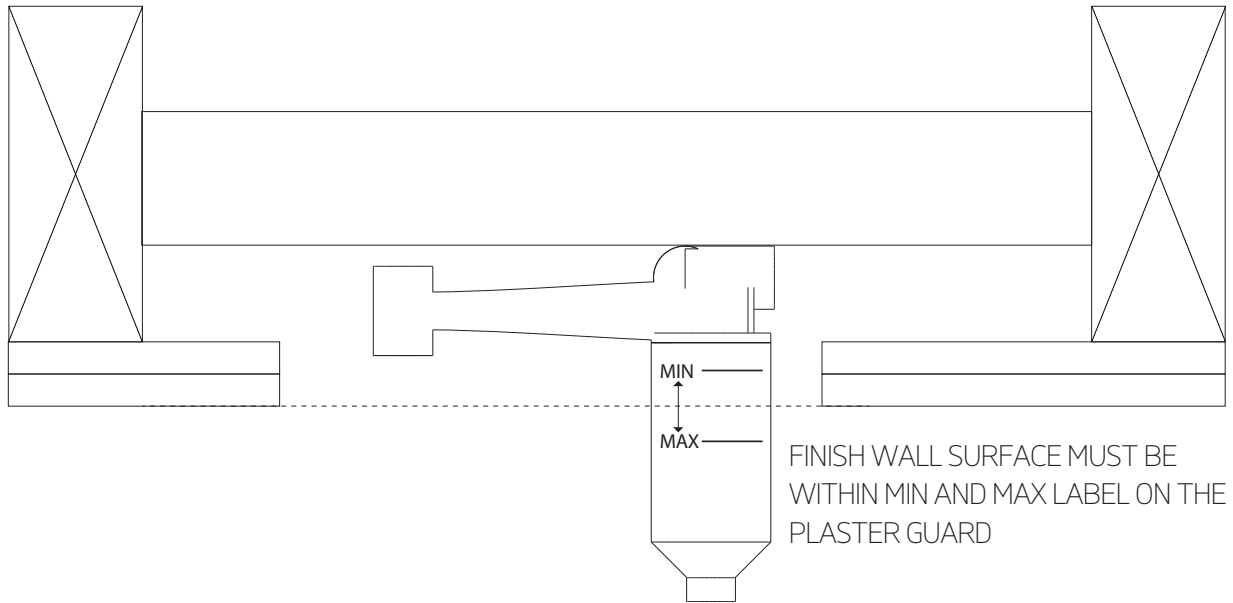


STEP 2

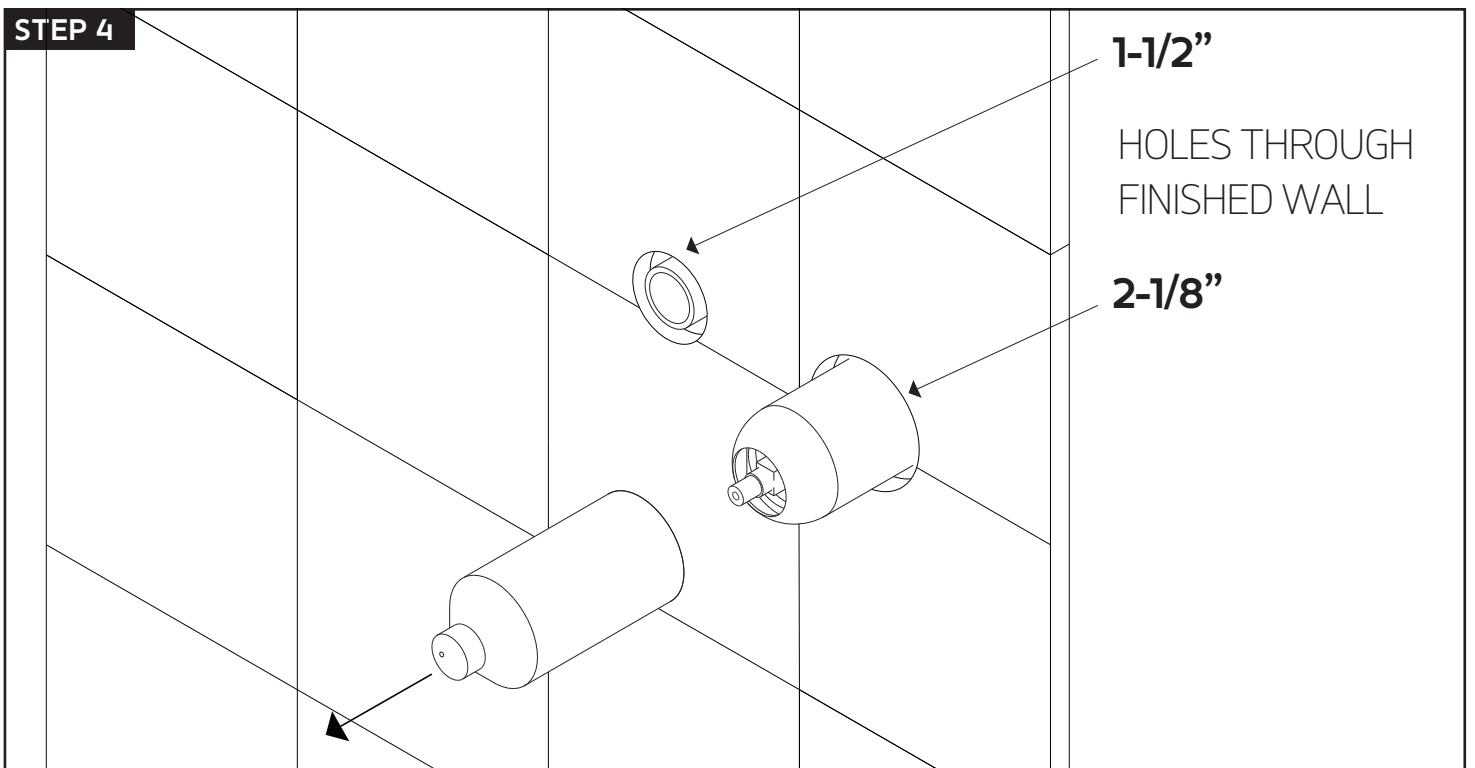


INSTALLATION STEPS

STEP 3



STEP 4

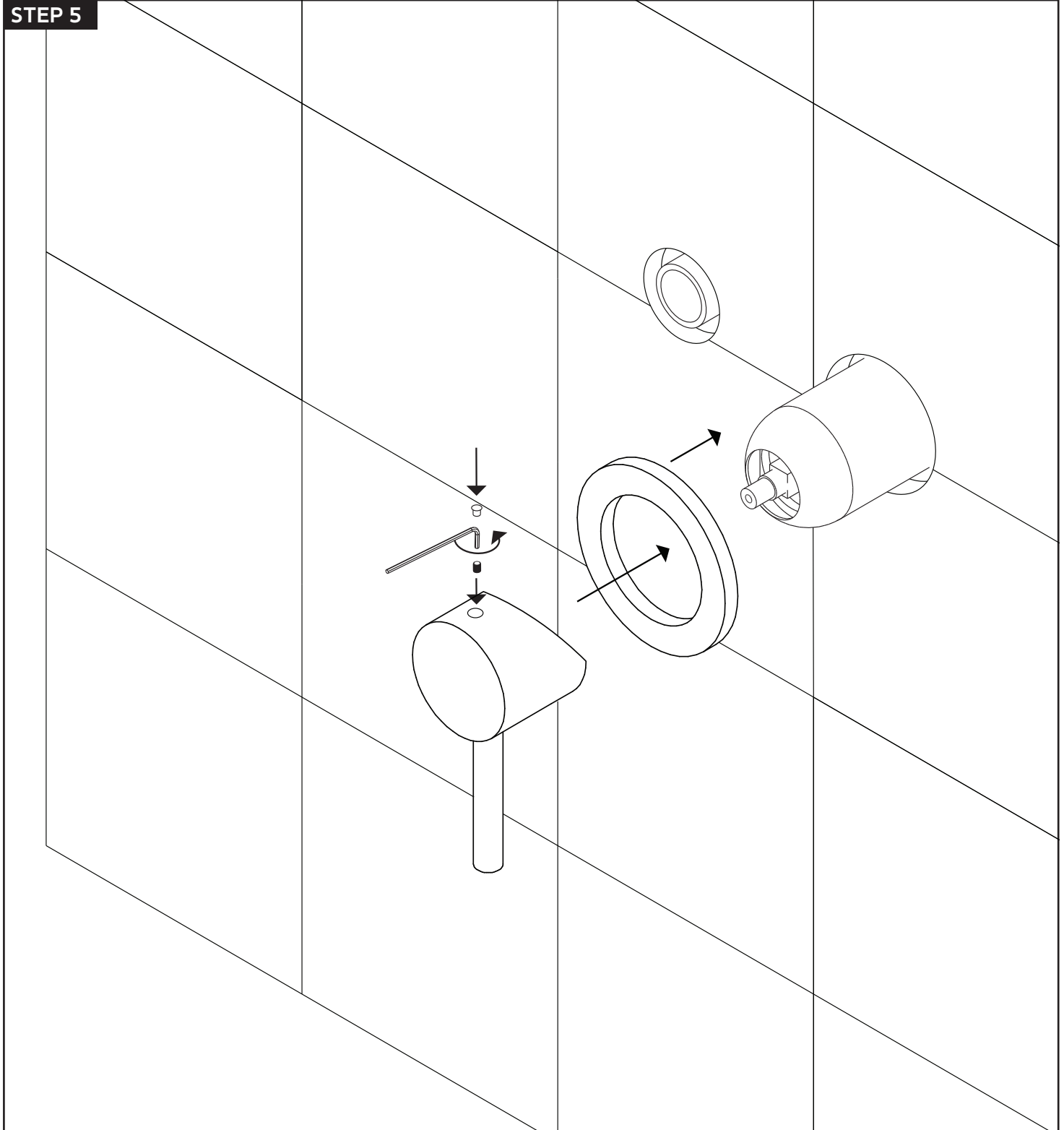


artos[®]

F501-9-1

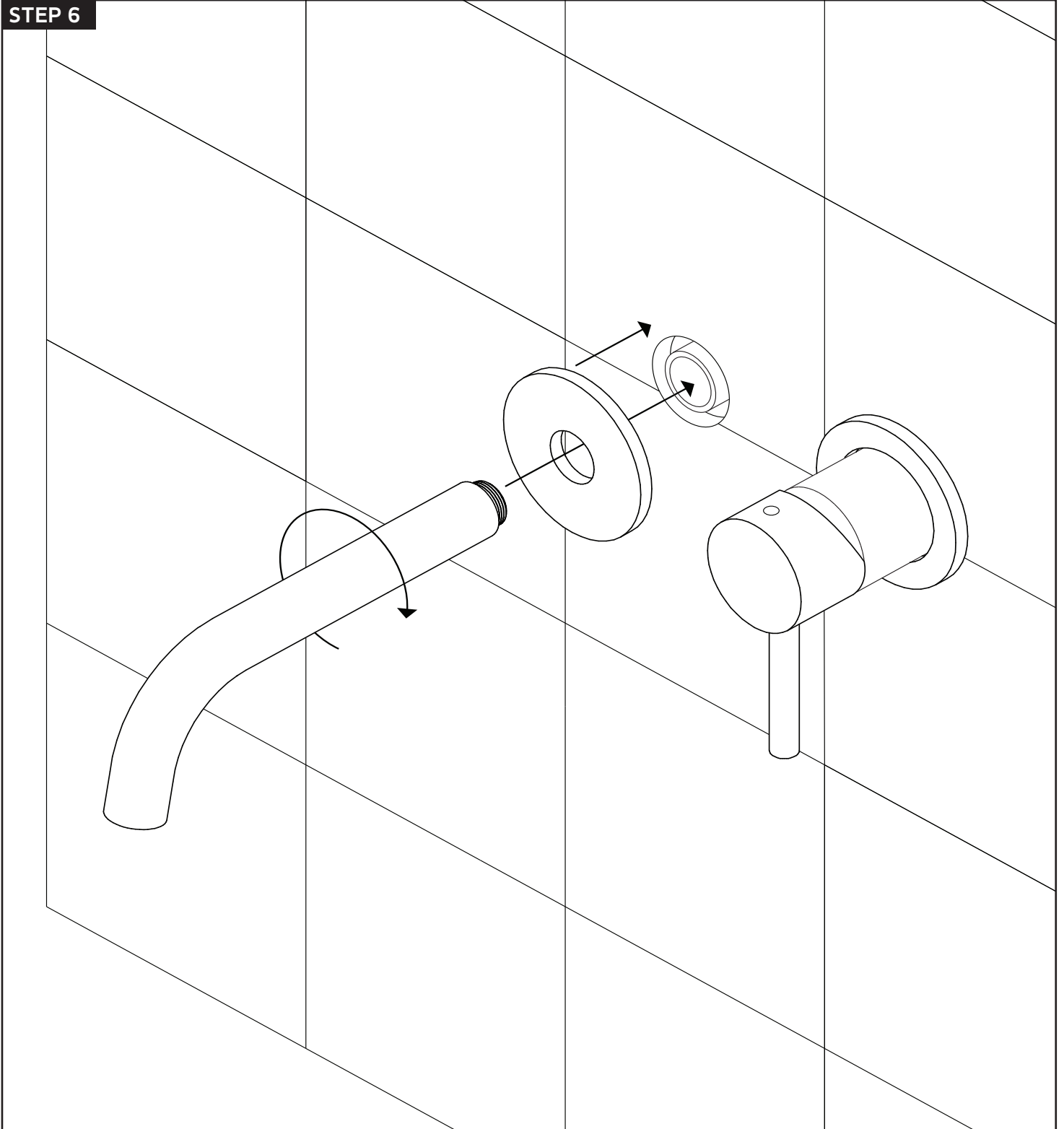
opera in wall lav faucet single
handle, extended spout

STEP 5



INSTALLATION STEPS

STEP 6

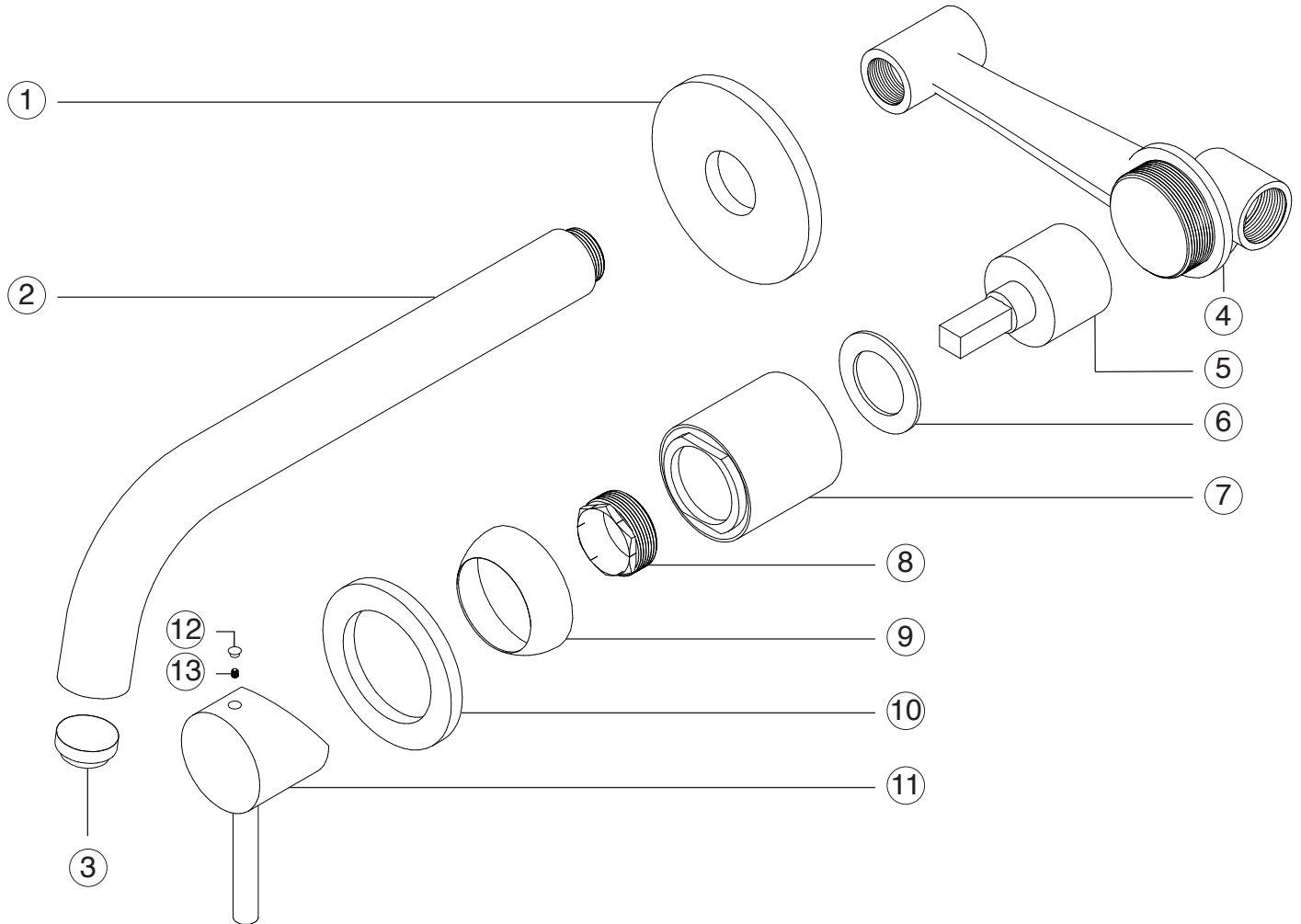


artos[®]

F501-9-1

PARTS BREAKDOWN

opera in wall lav faucet single
handle, extended spout



- ① SPOUT ESCUTCHEON PLATE
- ② FAUCET SPOUT
- ③ FAUCET AERATOR
- ④ VALVE BODY
- ⑤ CARTRIDGE: XP-12969
- ⑥ CARTRIDGE GASKET
- ⑦ CARTRIDGE HOUSING
- ⑧ CARTRIDGE SECURING NUT
- ⑨ DRESS RING

- ⑩ CONTROL HANDLE ESCUTCHEON
- ⑪ CONTROL HANDLE
- ⑫ CONTROL HANDLE CAP
- ⑬ CONTROL HANDLE SET SCREW