

artos®

F301-2

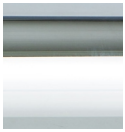
INSTALLATION GUIDE

otella lav faucet

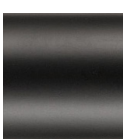
BRUSHED NICKEL(BN)



CHROME(CH)



BLACK (BK)



SATIN BRASS (SB)



POLISHED NICKEL(PN)



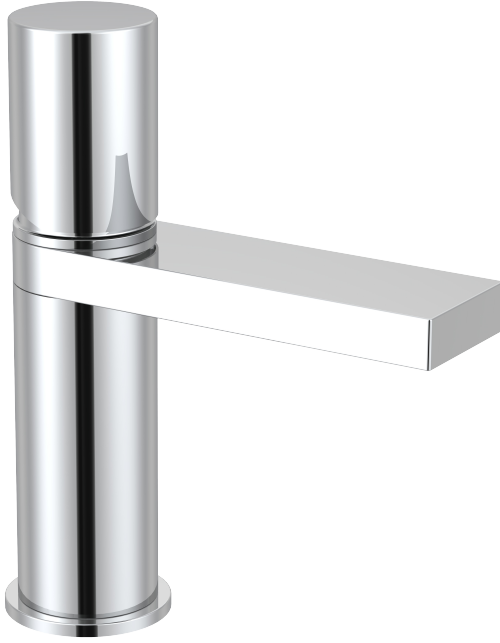
All models available with black spout

artos

F301-2

otella lav faucet

OPERATING SPECIFICATIONS



FEATURES

Adjustable Aerator

OPERATING PRESSURE

Minimum: 15 psi

Maximum: 75 psi

Above 90psi it may be necessary to install a pressure reducer

OPERATING TEMPERATURE

Maximum: 176°

FLOW RATE

1.2 USGPM

APPROVALS

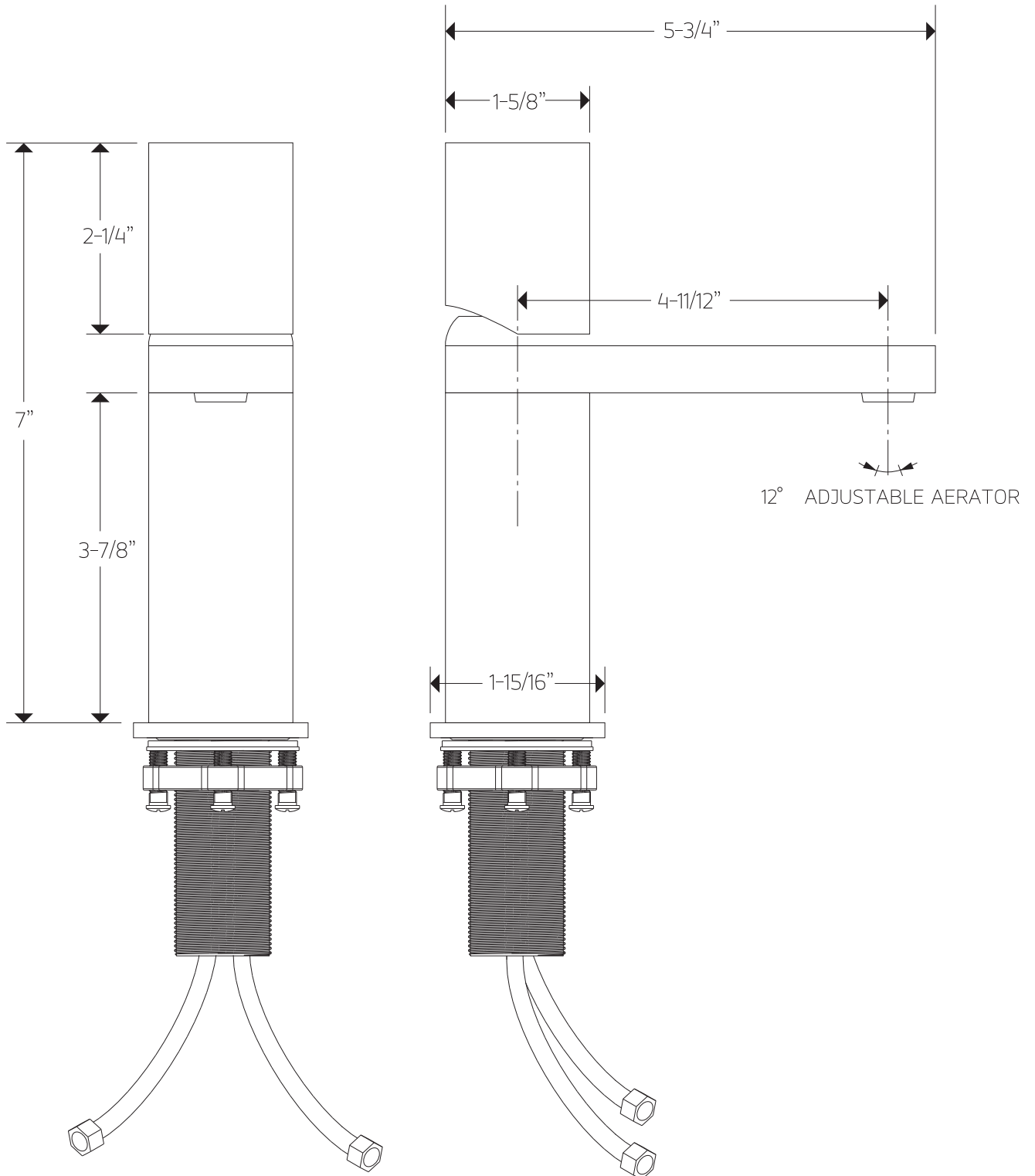


artos

F301-2

PRODUCT DIMENSIONS

otella lav faucet

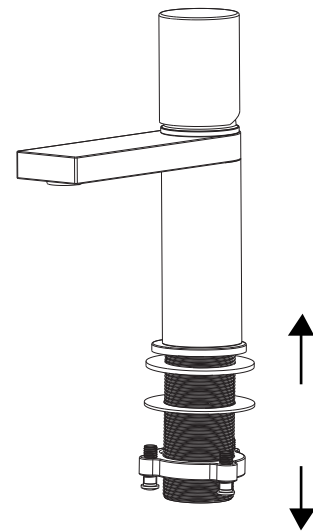


STEP 1

NOTES BEFORE INSTALLATION:

1. Please check that all components are present.
2. Before installation ensure that all feed lines are clear of debris and on/off valve is present.
3. Ensure water pressure is between 15-75 PSI (Includes combination of hot and cold feed lines).
4. Pictures in the manual are general in content and may not represent exactly your purchased faucet. If you are having difficulties please contact a professional plumber.
5. If you will be away from home for an extended period you should shut .off the main water supply.

**Remove the rubber washer,
metal washer and locking
nut from the faucet,
If installed in the faucet.**



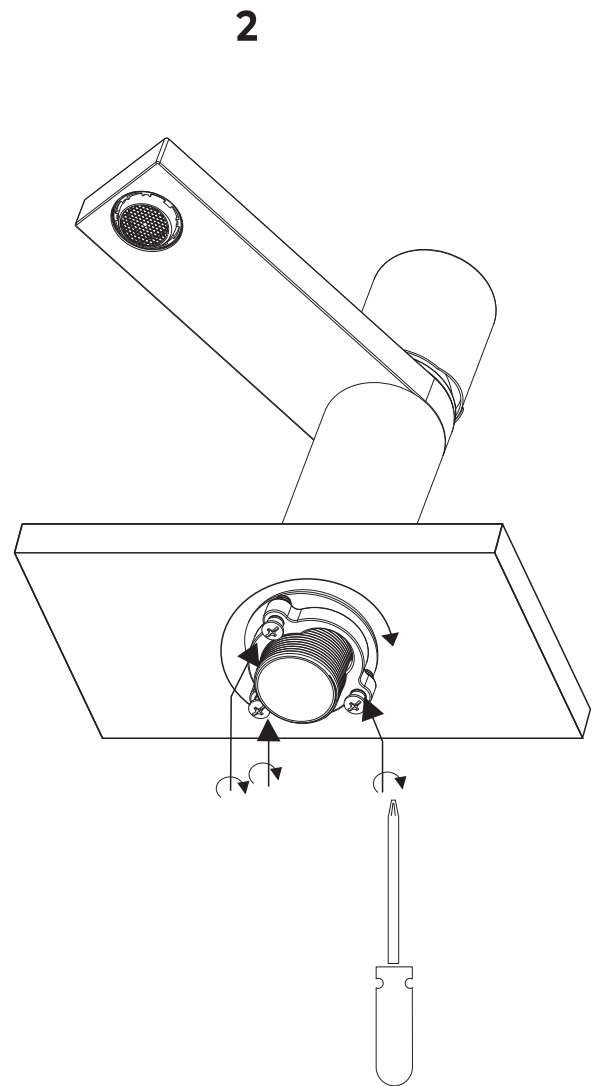
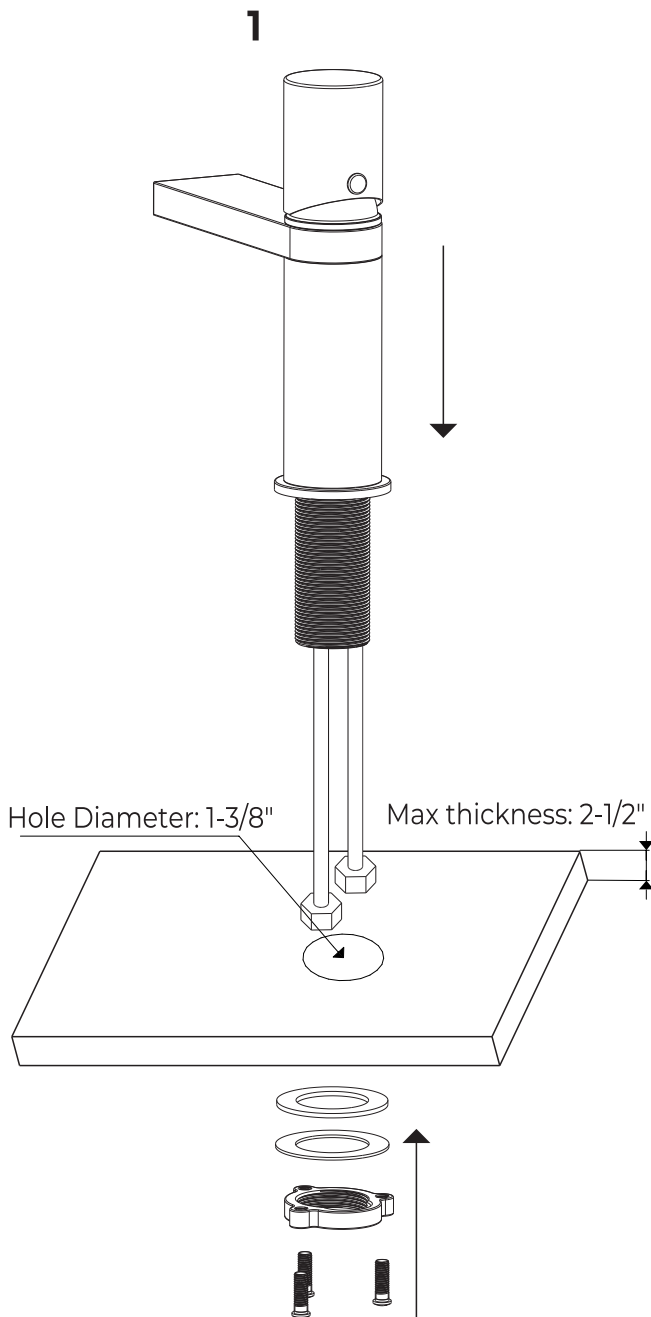
artos

F301-2

otella lav faucet

INSTALLATION STEPS

STEP 2



Secure faucet by tightening securing nut (hand tight), and tightening securing nut screws with screwdriver.

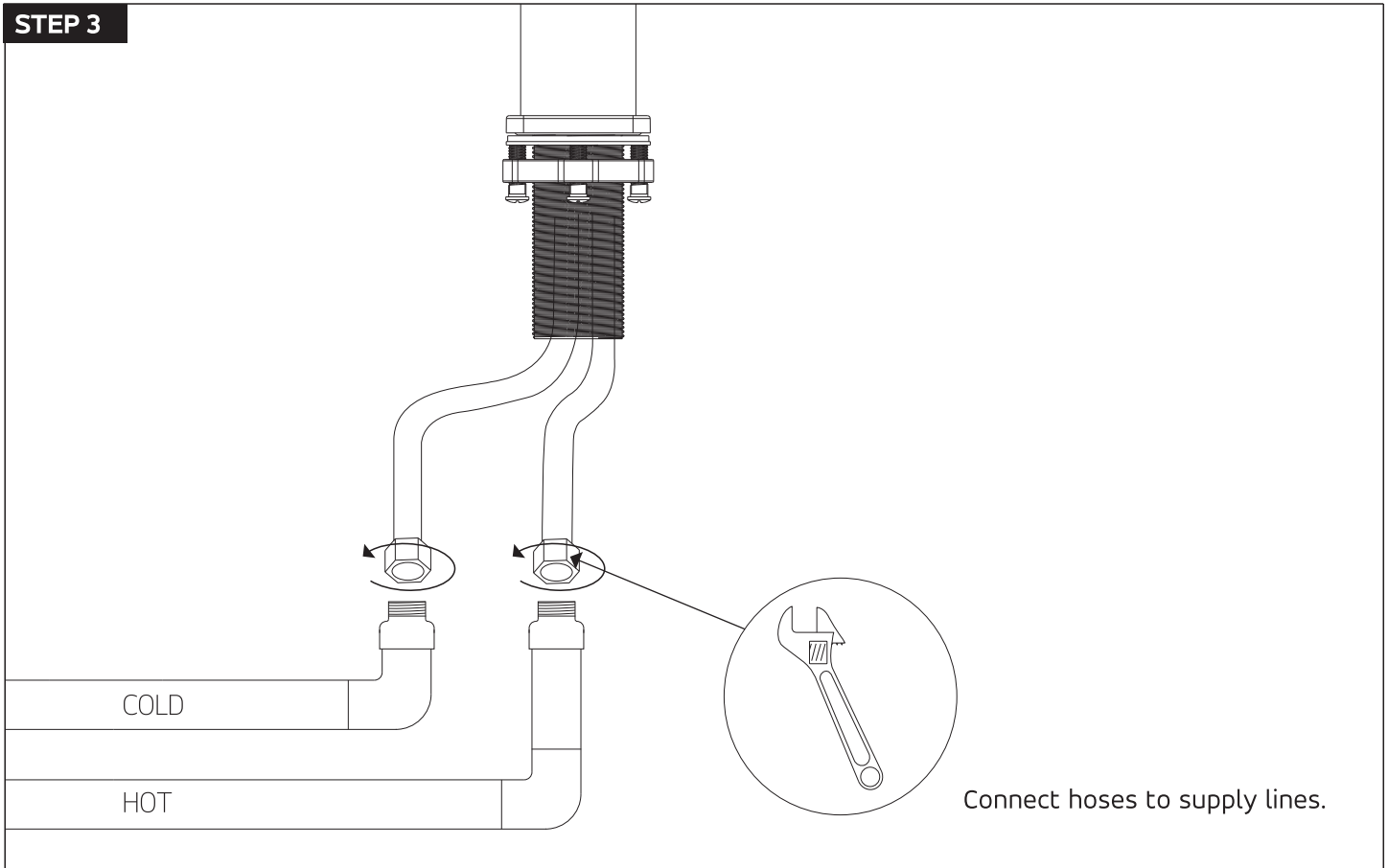
artos

F301-2

INSTALLATION STEPS

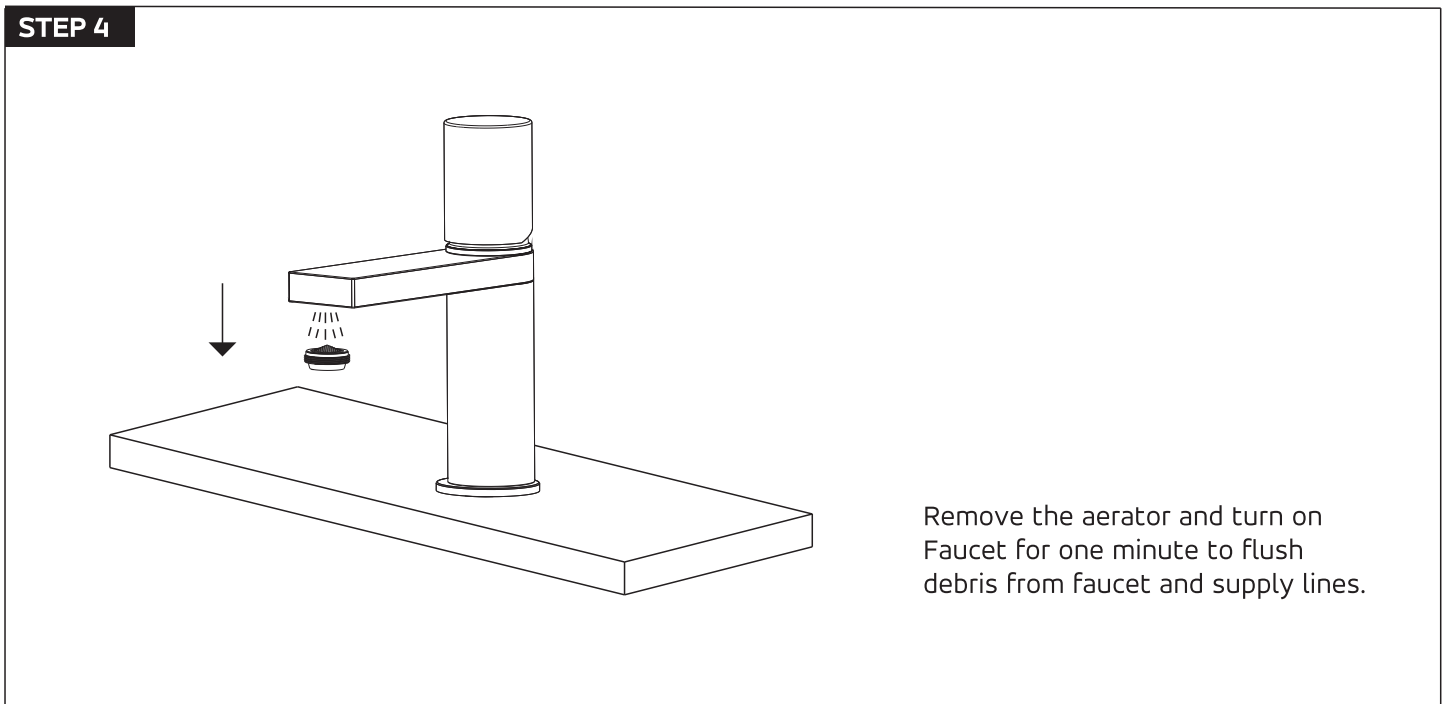
otella lav Faucet

STEP 3



Connect hoses to supply lines.

STEP 4



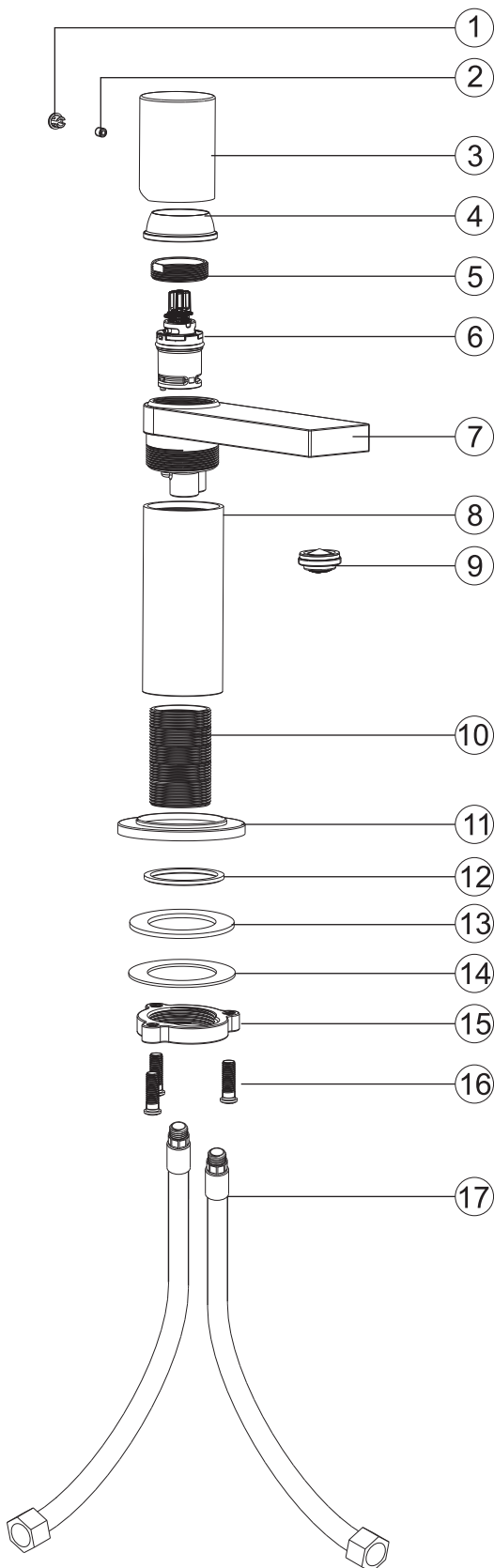
Remove the aerator and turn on Faucet for one minute to flush debris from faucet and supply lines.

artos

F301-2

PARTS BREAKDOWN

otella lav faucet



- ① SET SCREW CAP
- ② SET SCREW
- ③ HANDLE
- ④ DRESS RING
- ⑤ CARTRIDGE SECURING NUT
- ⑥ CARTRIDGE
- ⑦ FAUCET SPOUT
- ⑧ FAUCET BODY
- ⑨ AERATOR
- ⑩ FAUCET SHANK
- ⑪ FAUCET ESCUTCHEON
- ⑫ FAUCET ESCUTCHEON O-RING
- ⑬ RUBBER WASHER
- ⑭ METAL WASHER
- ⑮ SECURING NUT
- ⑯ SECURING NUT SCREWS (3)
- ⑰ SUPPLY HOSE(2)