

artos®

F100137

trova modern
kitchen faucet

INSTALLATION GUIDE

BRUSHED NICKEL (BN)



BLACK (BK)



CHROME (CH)



SATIN BRASS (SB)



artos[®]

F100137

trova modern
kitchen faucet

OPERATING SPECIFICATIONS



OPERATING FLOW RATE/PRESSURE

1.8 gpm max (6.8L/min) at 60 psi

OPERATING TEMPERATURE

Maximum: 176°

CARTRIDGE

ceramic disk cartridge

STANDARDS

Certified to CUPC

Certified to ABI953

Certified to NSF/ANSI 61

ADA for lever handle

Hole Dimensions

1-3/8" for counter top

REQUIREMENTS

Max Surface Thickness: 1-1/2"

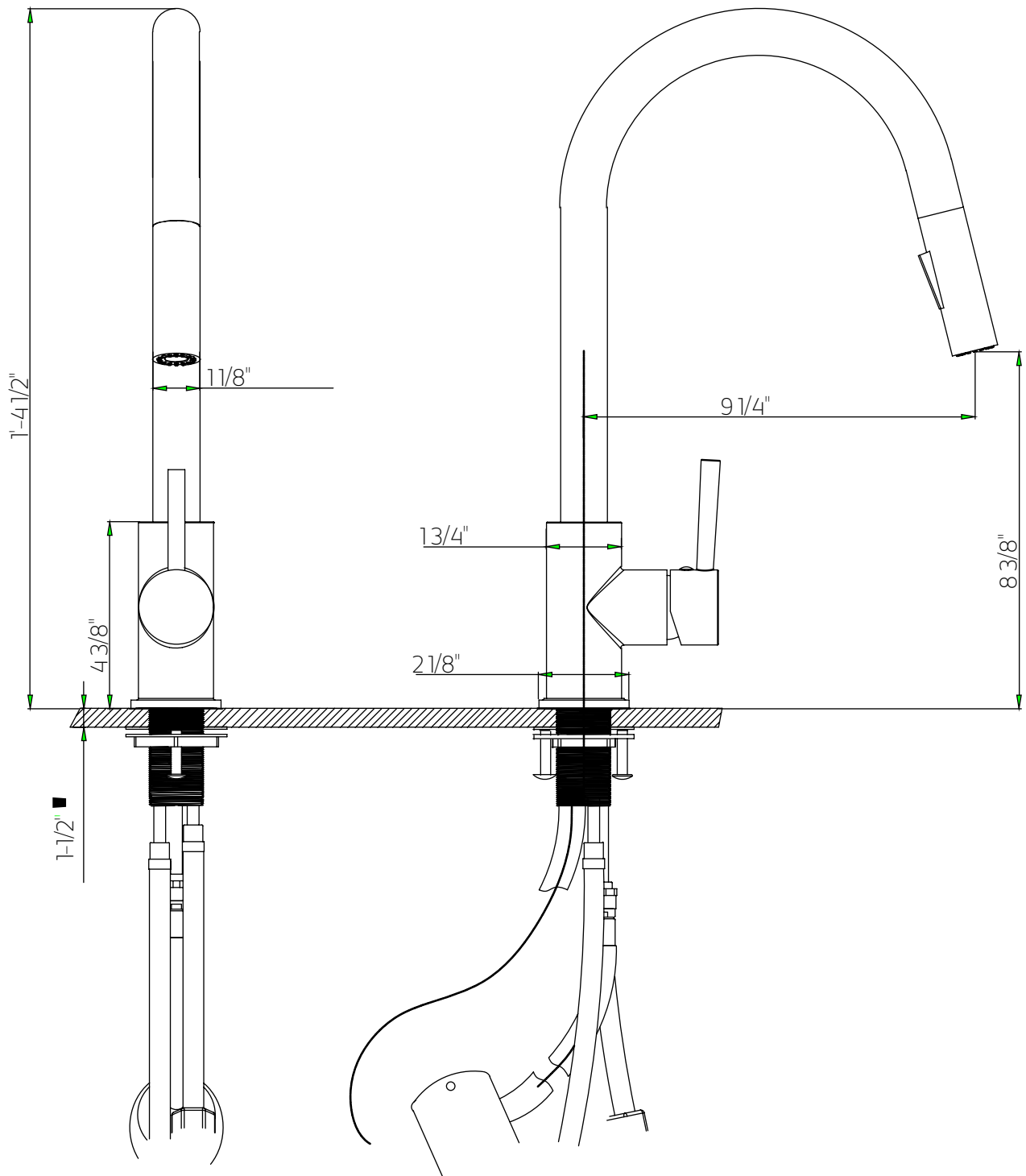


artos®

F100137

PRODUCT DIMENSIONS

trova modern
kitchen faucet



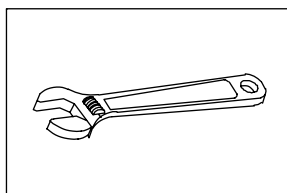
artos®

F100137

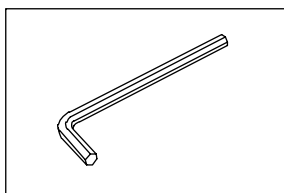
trova modern
kitchen faucet

INSTALLATION STEPS

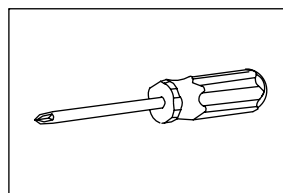
TOOLS FOR INSTALLATION



Adjustable wrench



Hexagon wrench



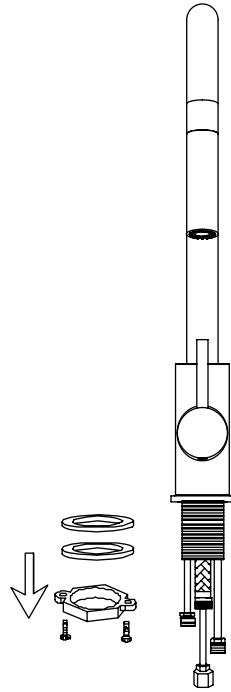
Philips screwdriver

INSTALLATION STEPS

1. Please check that all components are present.
2. Before installation, ensure that all feed lines are clear of debris and on/off valve is present.
3. Ensure water pressure is between 20-125 PSI (includes combination of hot and cold feed lines).
4. Pictures in the manual are general in content and may not represent exactly your purchased faucet. If you are having difficulties please contact a professional plumber.
5. If you will be away from home for an extended period you should shut off the main water supply.

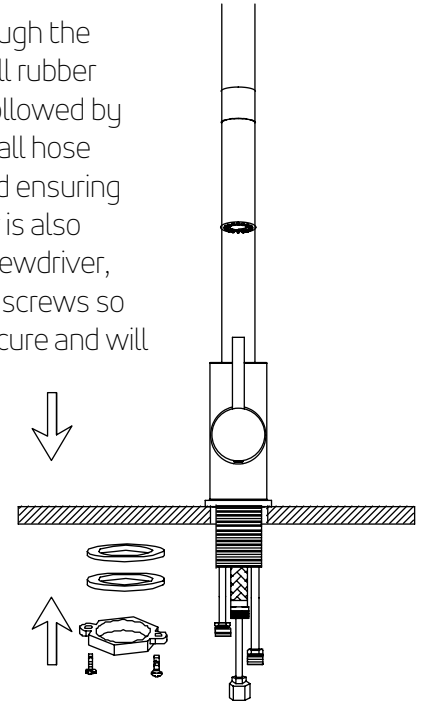
STEP 1

1. Remove locking-nut, metal and rubber washer and hose connector if installed.



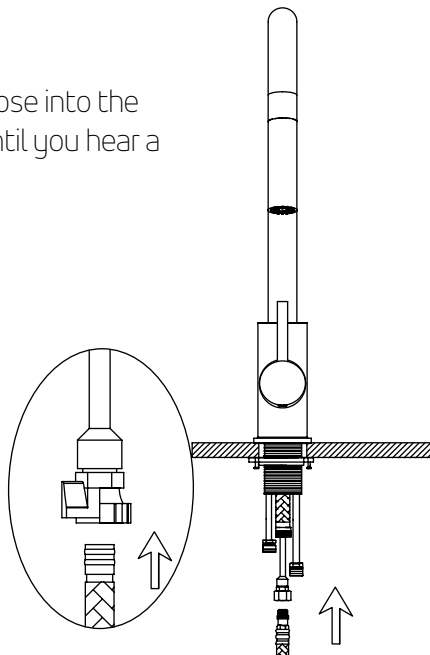
STEP 2

2. Install faucet through the center hole, re-install rubber and metal washer followed by the lock nut. Re-install hose connector if removed ensuring small rubber washer is also installed. Using a screwdriver, tighten the lock-nut screws so that the faucet is secure and will not twist.



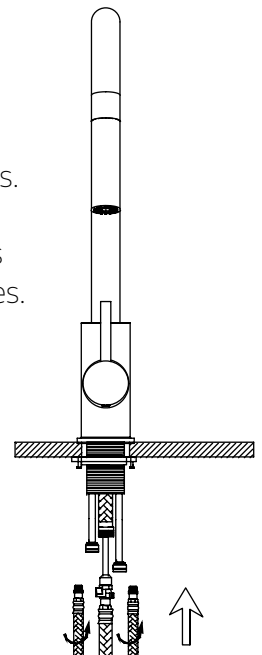
STEP 3

3. Push pull-out hose into the hose connector until you hear a click sound.



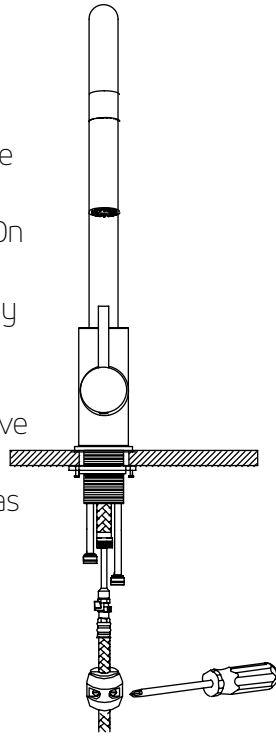
STEP 4

4. Screw and tighten the hot and cold flexible lines to the corresponding faucet connectors. Using a wrench ensure that the copper faucet lines are stable as you tighten the braided feed lines.



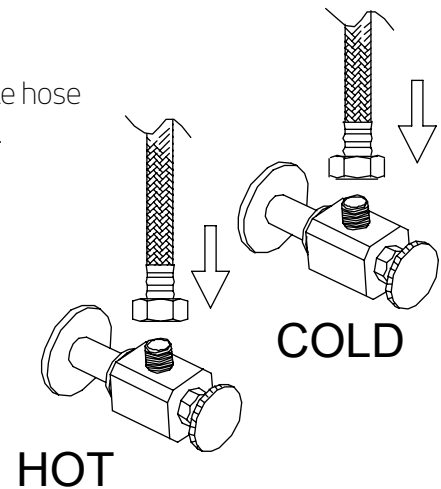
STEP 5

5. Proper installation of the hose weight kit will ensure that the spray head retracts smoothly. On the spray side of the hose, measure 15" down from the body of the faucet. Install the hose weight kit at this point. Pull out on the spray head. It should move easily and retract smoothly. Reposition the hose weight kit as necessary.



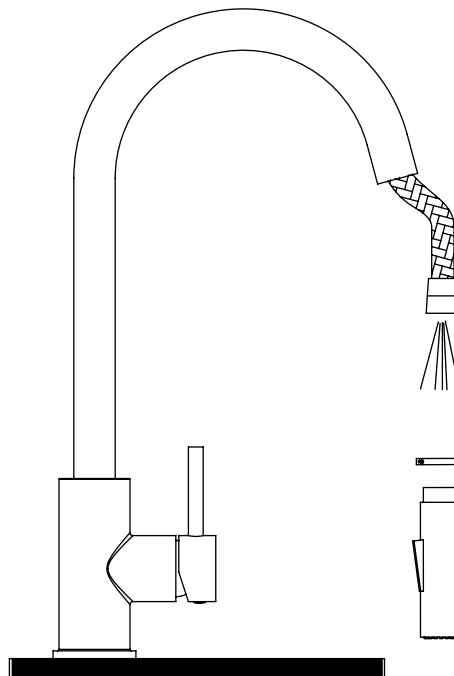
STEP 6

6. Attach flexible hose to water supply.



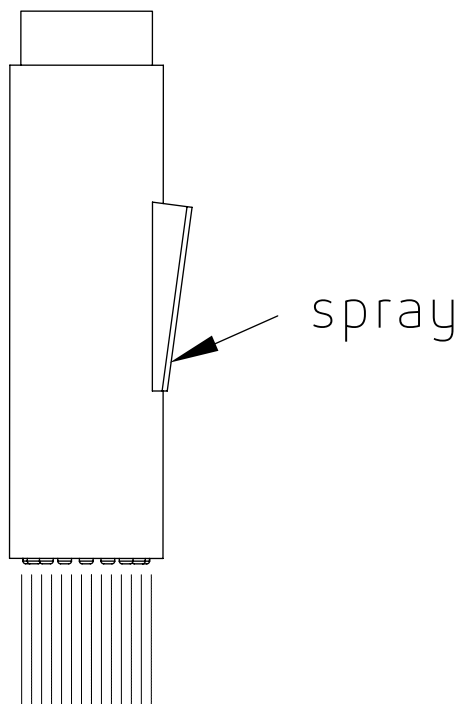
STEP 7

7. Hold onto the spray-head hose, unscrew spray head and remove it along with the rubber washer. Turn on the faucet to flush the hose and feed line for 1-minute to flush debris. Turn off faucet and re-install the rubber washer and spray head.



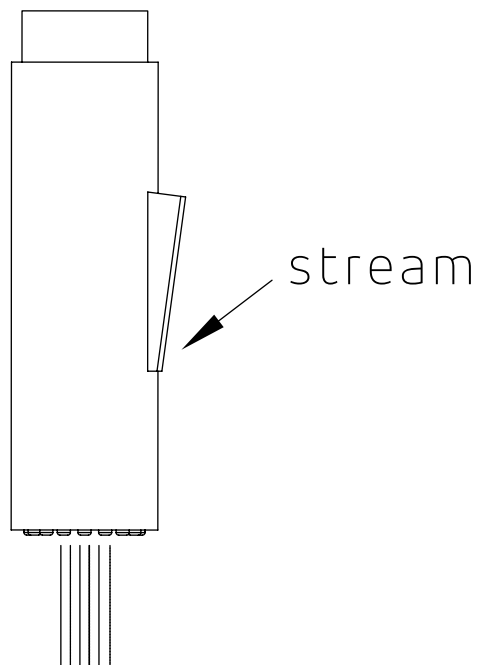
STEP 8

8. Turn the faucet on and press the top of the spray head button to change to the spray.



STEP 9

9. Turn the faucet on and press the bottom of the spray head button to change to stream.



trova modern
kitchen faucet

- ① SPOUT
- ② O-RING
- ③ O-RING
- ④ SILICON NUT
- ⑤ HEX SCREW
- ⑥ BODY
- ⑦ O-RING
- ⑧ PLASTIC HOLDER
- ⑨ SHANK
- ⑩ CARTRIDGE SEAT & CONNECTOR
- ⑪ SEAT O-RING
- ⑫ SCREW
- ⑬ LOCK NUT
- ⑭ SUS WASHER
- ⑮ WASHER
- ⑯ SCREW COVER
- ⑰ HEX SCREW
- ⑱ HANDLE
- ⑲ DRESS RING
- ⑳ CARTRIDGE SECURING NUT
- ㉑ CARTRIDGE
- ㉒ PROTECTIVE TUBE
- ㉓ ALLEN KEY
- ㉔ ALLEN KEY
- ㉕ PULL OUT HOSE
- ㉖ HOSE SPRAY
- ㉗ CHECK VALVE
- ㉘ VALVE O-RING
- ㉙ BUSH
- ㉚ WEIGHT
- ㉛ QUICK KIT CONNECTOR

