

## MAUDE 6636

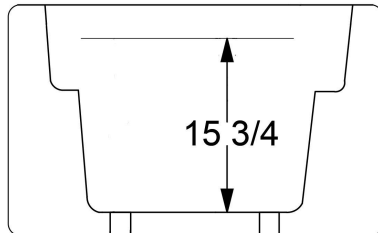
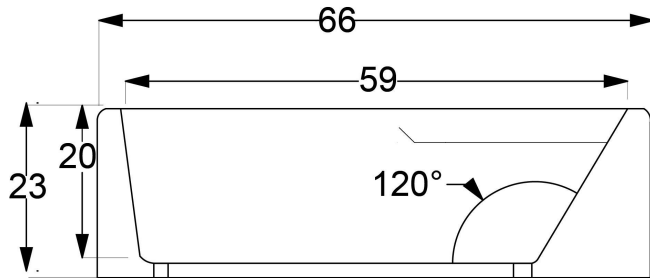
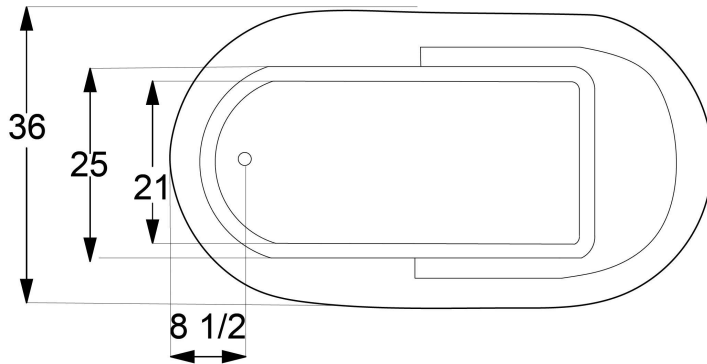


### DIMENSIONS

66" x 36" x 23" deep (1676 x 914 x 584 mm)  
Gallon to Overflow = 65 (Liters = 246)  
Factory installed integral drain.

### MATERIAL

Acrylic



### TUB FLOOR

Textured

### UNDERMOUNT: NO

This tub is not designed for undermount installation.

### APPROVALS & COMPLIANCE

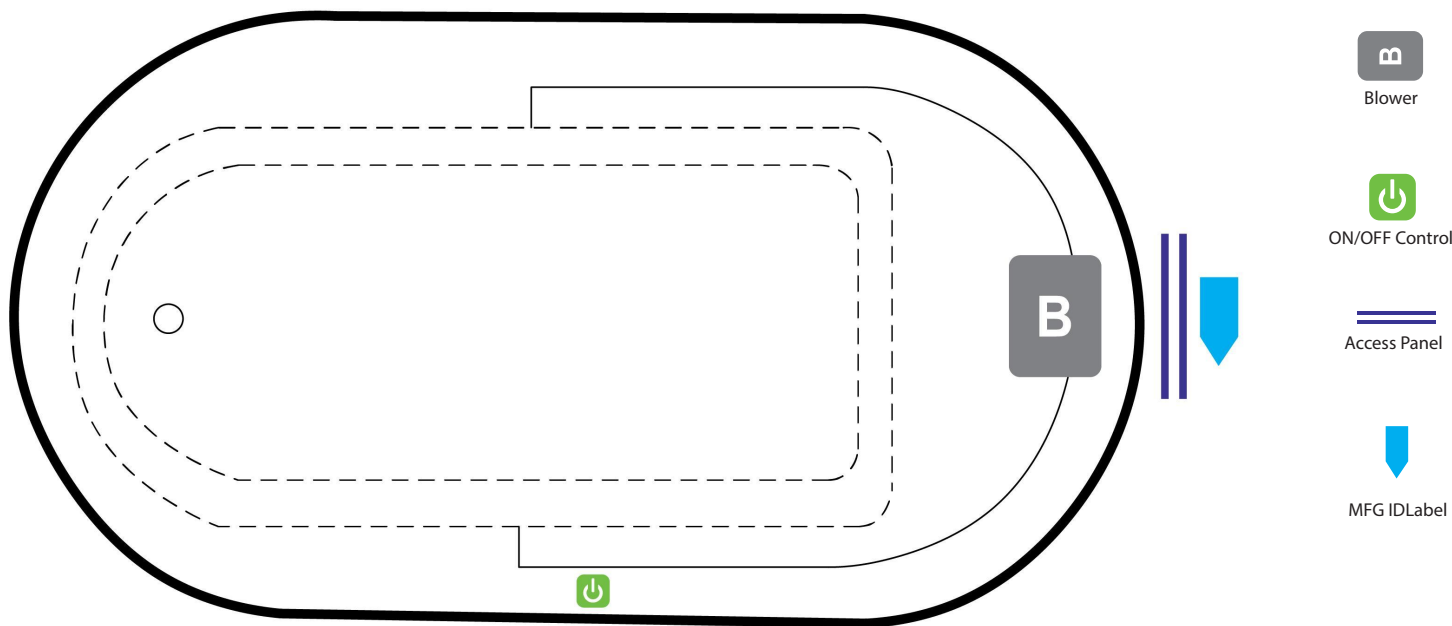


Americh products meet or exceed the following standards:

- Underwriters Laboratories (UL)
- Underwriters Laboratories - Canada (cUL)
- ANSI Z124.1 • ANSI A112-19.7
- ANSI A112.19.8

Contact Americh for additional approvals.

**LEGEND**



**Airbath System II**

Factory installed blower may only be placed in this location.

**STANDARD EQUIPMENT**

- Integral Waste & Overflow
- Lift Bag Included

**OPTIONAL ACCESSORIES**

- Color Upcharge
- Matte White Acrylic Upgrade
- Chromatherapy \*
- Drop-in Drain Kit
- Madison Series Grab Bar \*
- Pillows: 12" \*

**INSTALLATION TIPS**

- Install according to Owner’s Manual and local codes.
- Always consult your local plumber for recommendations as installations will vary.
- The bath must be secured to the floor by applying a bead of silicone around the base (which can be cut in future should there be a need to access to the plumbing).
- Installation must be carried out according to the manufacturer instructions.
- Hot water supply should be 65-75% of tub capacity or greater.

**ELECTRICAL REQUIREMENTS**

Americh recommends one 20 amp ground fault circuit interrupter (GFCI) for each power supply provided with the bathtub.