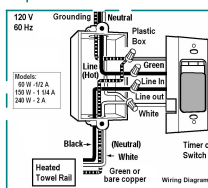
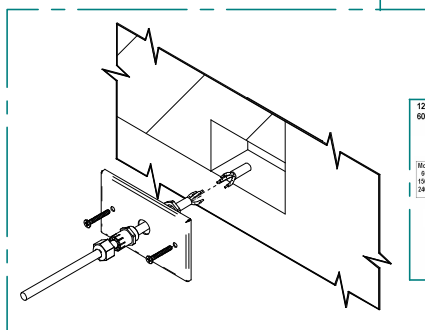
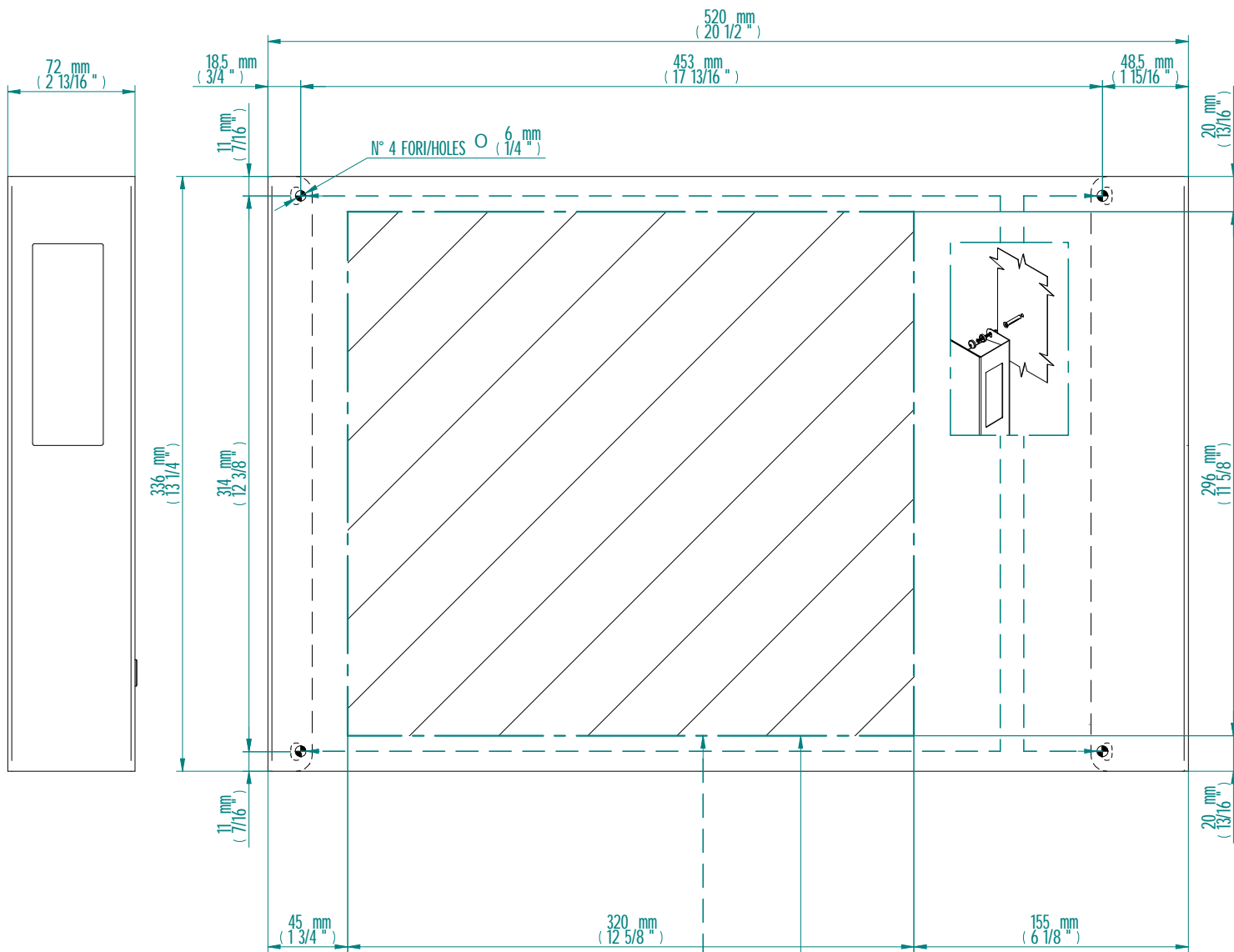


ELORY E2113(P/B)

hammerhead
(RL/RS)342001

DIMA DI FORATURA RADIATORE ELETTRICO ELORY E2113(P/B) - (RS/RL)342001 (SCALA 1:1)
 TEMPLATE FOR THE DRILLING OF ELORY ELECTRIC TOWEL WARMER E2113(P/B) - (RS/RL)342001 (SCALE 1:1)

FORO PER INSERIMENTO TASSELLO A MURO 6x30
 POSITIONING OF FASTENERS FOR FIXING TO WALL.
 FASTNERS SHOULD BE SECURED IN STUDS OR HEADERS PLACES BEHIND THE UNIT



AREA DISPONIBILE PER POSIZIONARE LA SCATOLA ELETTRICA
 SPACE AVAILABLE TO PLACE THE ELECTRIC DEVICE