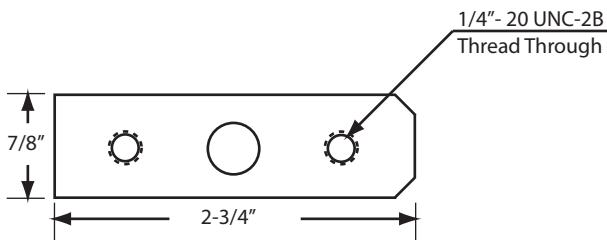
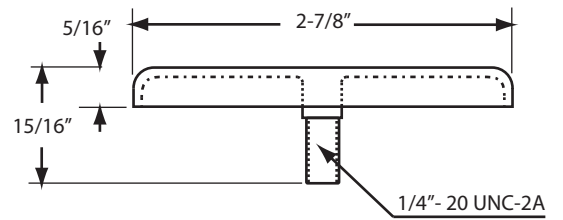
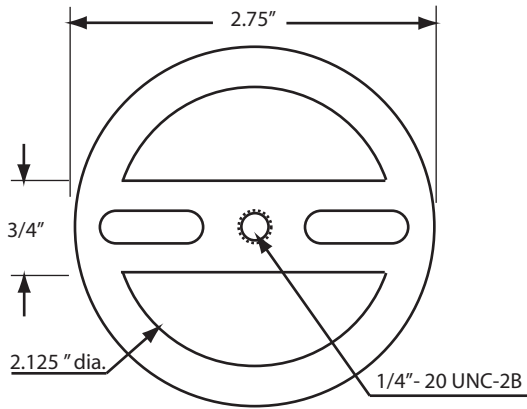


# D980R Floating Overflow Kit

For Two Hole Face Plates



1/4"- 20 x 3/4"  
Pan Head Screws

