

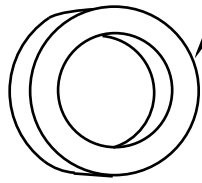
PART NO. D50P35BJ-LT

SPECIFICATION SHEET

Sch. 40 PVC 35" Ball Joint Cable
Drive Bath Waste and Overflow -
LESS TRIM

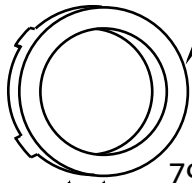
D50P35BJ-EL
Top Elbow
Assembly

5/8"



792WT
3" Tapered
Overflow
Gasket

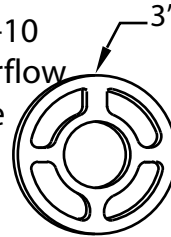
OR



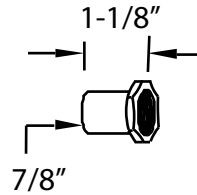
792WS
Overflow
Gasket

3/8"

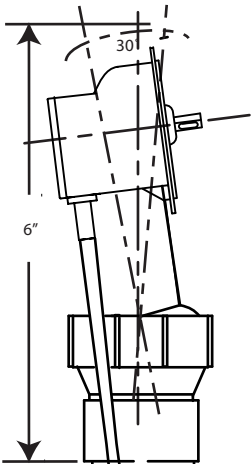
D50-10
Overflow
Plate



D50-11
Overflow
Nut

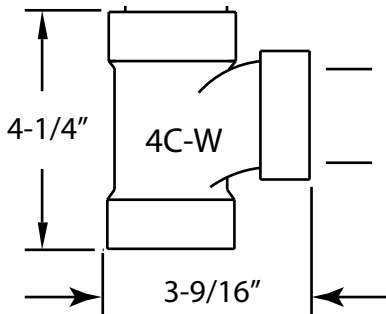


7/8"



1-1/2" Sch 40
Not Supplied

35" Cable
D50-35



1-1/2" PVC
Solvent Weld

Bath Shoe Elbow Less
Cable D50-8P