

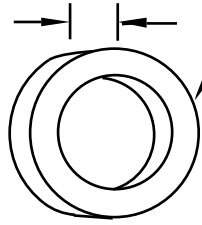
PART NO. D50A35BJ-LT

# SPECIFICATION SHEET

Sch. 40 ABS 35" Ball Joint Cable  
Drive Bath Waste and Overflow -  
LESS TRIM

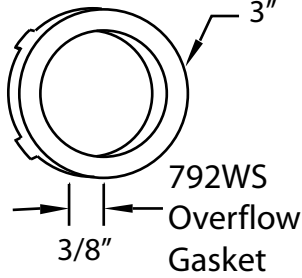
D50A35BJ-EL  
Top Elbow  
Assembly

5/8"



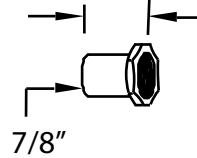
792WT  
3" Tapered  
Overflow  
Gasket

OR



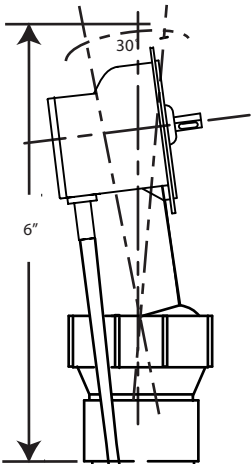
792WS  
3" Overflow  
Gasket

D50-11  
Overflow  
Nut  
1-1/8"



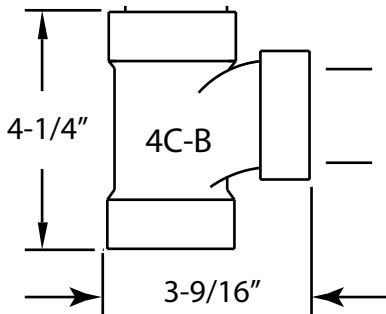
D50-10  
Overflow  
Plate  
3"

7/8"



1-1/2" Sch 40  
Not Supplied

35" Cable  
D50-35



1-1/2" PVC  
Solvent Weld

Bath Shoe Elbow Less  
Cable D50-8B