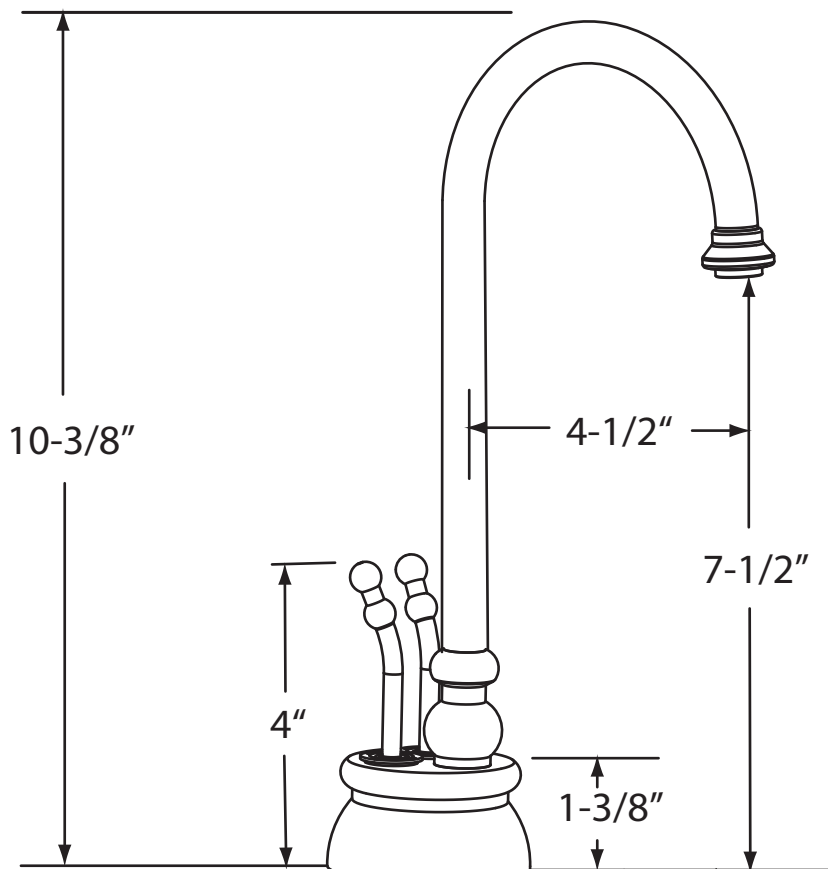


PART NO. D262H

SPECIFICATION SHEET

Brass Docallorah hot and cold water dispenser with hot water tank



**Hot Water Tank
Required For
Installation**

1/4" Tubing
Cold Water Inlet (Blue)
Directly Under Hot Handle

1/4" Tubing
Outlet to tank (Red)
Offset from Handles

1/4" Tubing
Inlet to Cold (Black)
Under Cold Handle

Santoprene Hot
Water Hose

