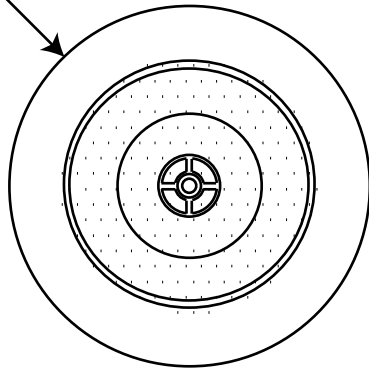
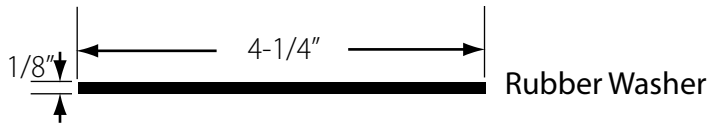
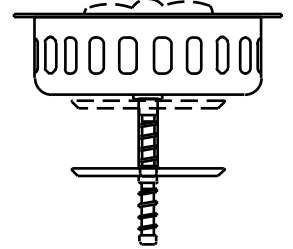
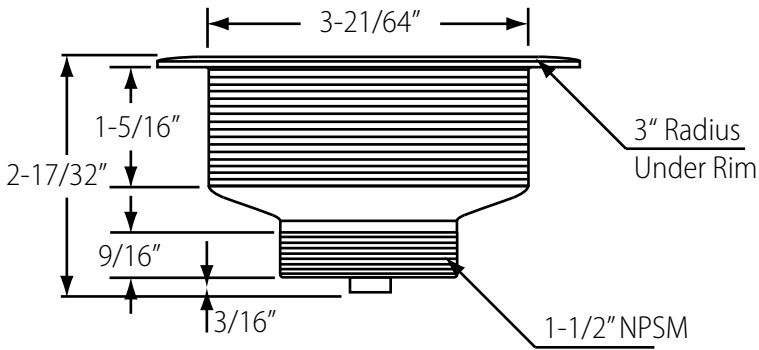
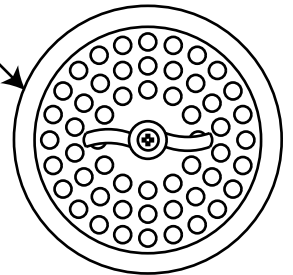


# D2135

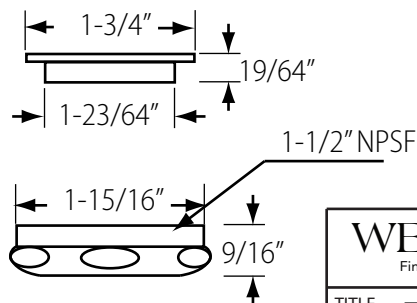
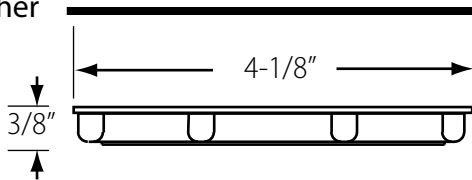
4-3/8" Dia



3-1/4" Dia



Paper Washer



<b>WESTBRASS</b> Fine Decorative Plumbing Since 1935		2429 E. Olympic Blvd. Los Angeles, CA 90021	
TITLE Two Pack Wing Nut Basket Strainer (D213)			
DWG NO.	D2135	DATE	1-26-2015
		REV	B
Scale	NTS	mrohfs	Sheet 1 of 1