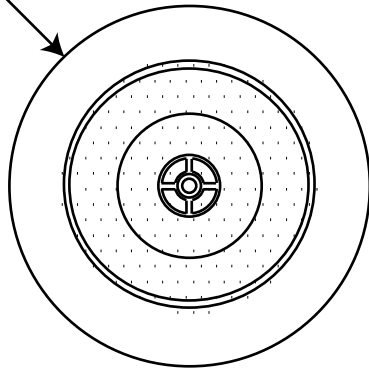
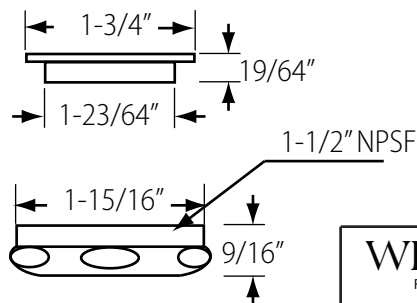
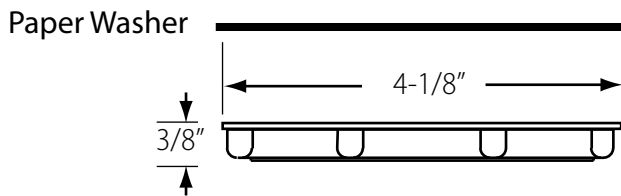
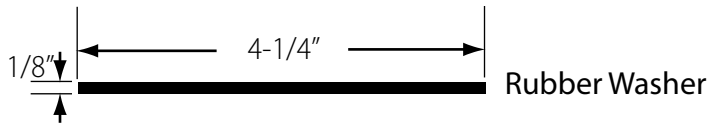
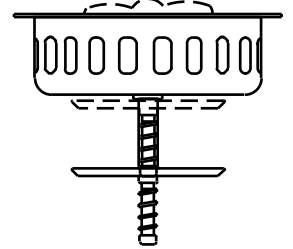
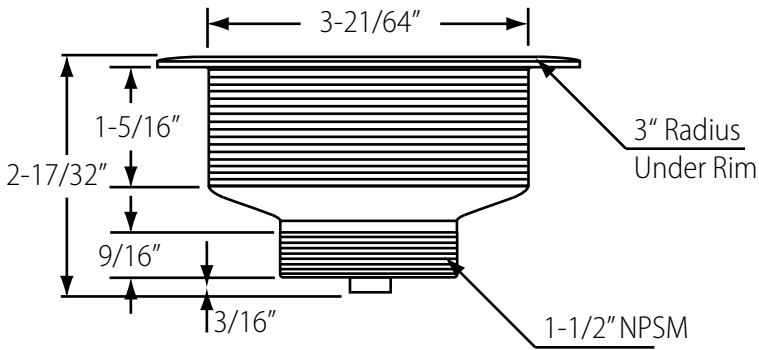
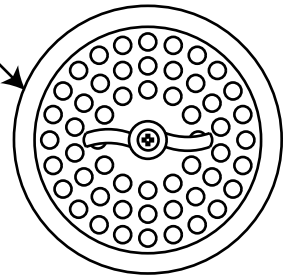


# D213

4-3/8" Dia



3-1/4" Dia



|   |      |  |              |
|---|------|--|--------------|
| <b>WESTBRASS</b><br>Fine Decorative Plumbing Since 1935 |      | 2429 E. Olympic Blvd.<br>Los Angeles, CA 90021 |              |
| TITLE <b>Wing Nut Kitchen Sink Basket Strainer</b>      |      |  |              |
| DWG NO.   | D213 | DATE   | 3-16-2014    |
|   |      | REV  | B            |
| Scale   | NTS  | mrohlf   | Sheet 1 of 1 |