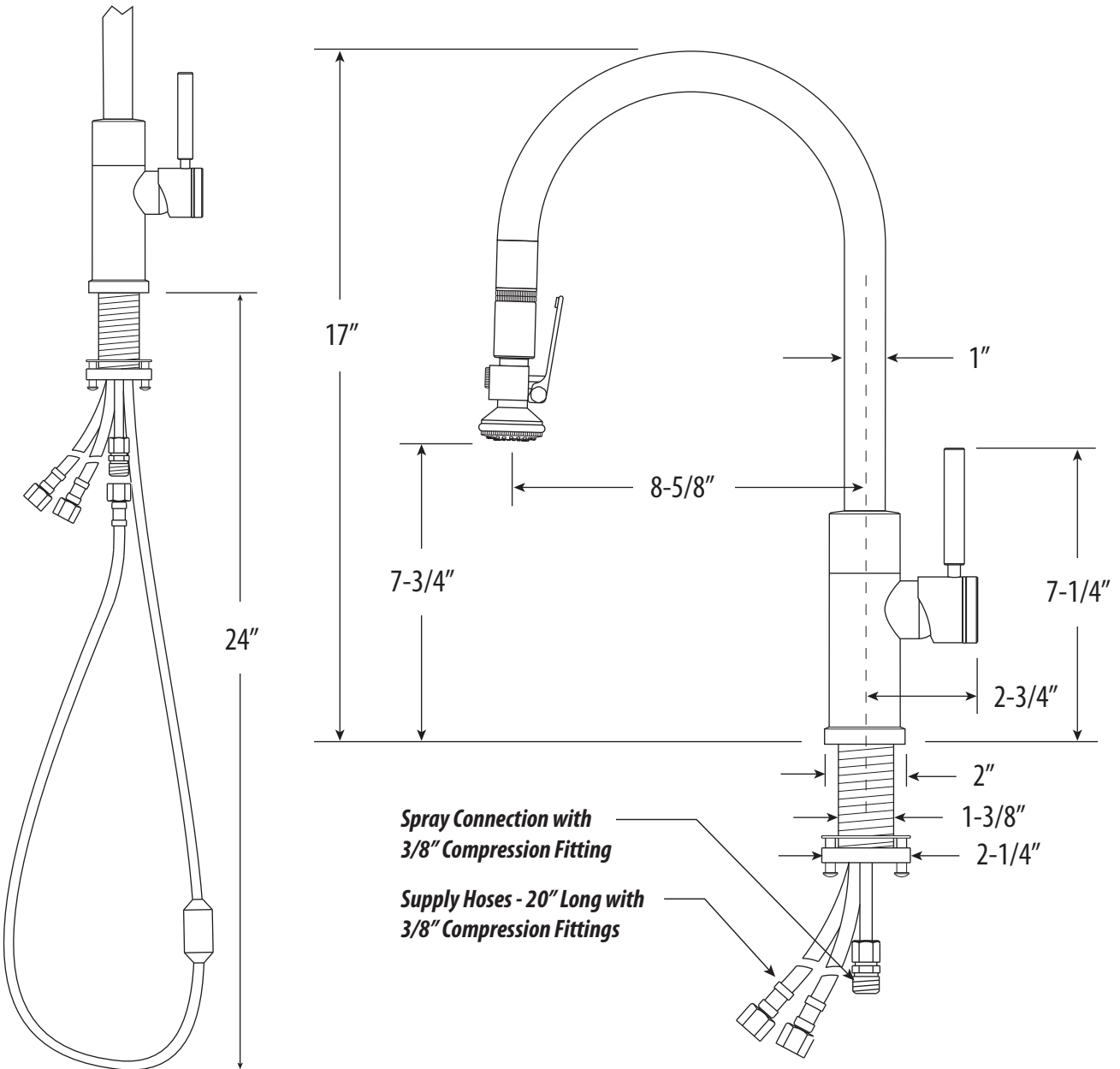


CONTEMPORARY PLP PULLDOWN FAUCET / LEVER SPRAYER

9850

- Max Counter Thickness 2-3/8"
- Minimum Install Hole Size 1-1/2"



*Spray Connection with
3/8" Compression Fitting*

*Supply Hoses - 20" Long with
3/8" Compression Fittings*



DIMENSIONS MAY VARY AND ARE SUBJECT TO CHANGE. NO RESPONSIBILITY IS ASSUMED FOR USE OF SUPERCEDED OR VOIDED DATA

CONTEMPORARY PLP PULLDOWN FAUCET / LEVER SPRAYER

9850



Finish Shown - Polished Nickel

FEATURES

- Thin, sleek body design gives a clean and simplistic look.
- “Positive Lock Pulldown” design locks sprayer in place when not in use. No sag.
- Spout has 8-5/8” reach and can swivel 360 degrees.
- Anti-rocking spout assembly ensures smooth spout swivel without wobbling.
- Lever handle spray head pulls out 18” from spout.
- Counterbalanced weight on spray hose allows smooth pull out and prevents snap back.
- Sprayer instantly diverts water from aerated stream to wide spray when handle is held.
- Spray swivel design is fully insulated against heat, and swivels easily in your hand.
- 1.75 gpm maximum flow rate with aerated tip.
- Innovative wave spring handle tension system prevents sagging and requires no adjustment.
- When mounted on side, handle can adjust 22.5 degrees for backsplash clearance.
- New 25mm hot/cold ceramic disk valve cartridge
- Resistant to reverse osmosis water.
- Made from eco-friendly solid brass or 316 stainless steel.
- Reinforced braided connection hoses.
- Includes reversible or removable hot/cold indicator ring.
- Lifetime functional warranty.

CODES/STANDARDS APPLICABLE

Specified model meets or exceeds the following:

- **ASME A112.18.1**
- **CSA B125.1**
- **NSF 61, 372**
- **CALGreen**



AVAILABLE IN 32 FINISHES + SOLID 316 MARINE GRADE STAINLESS STEEL