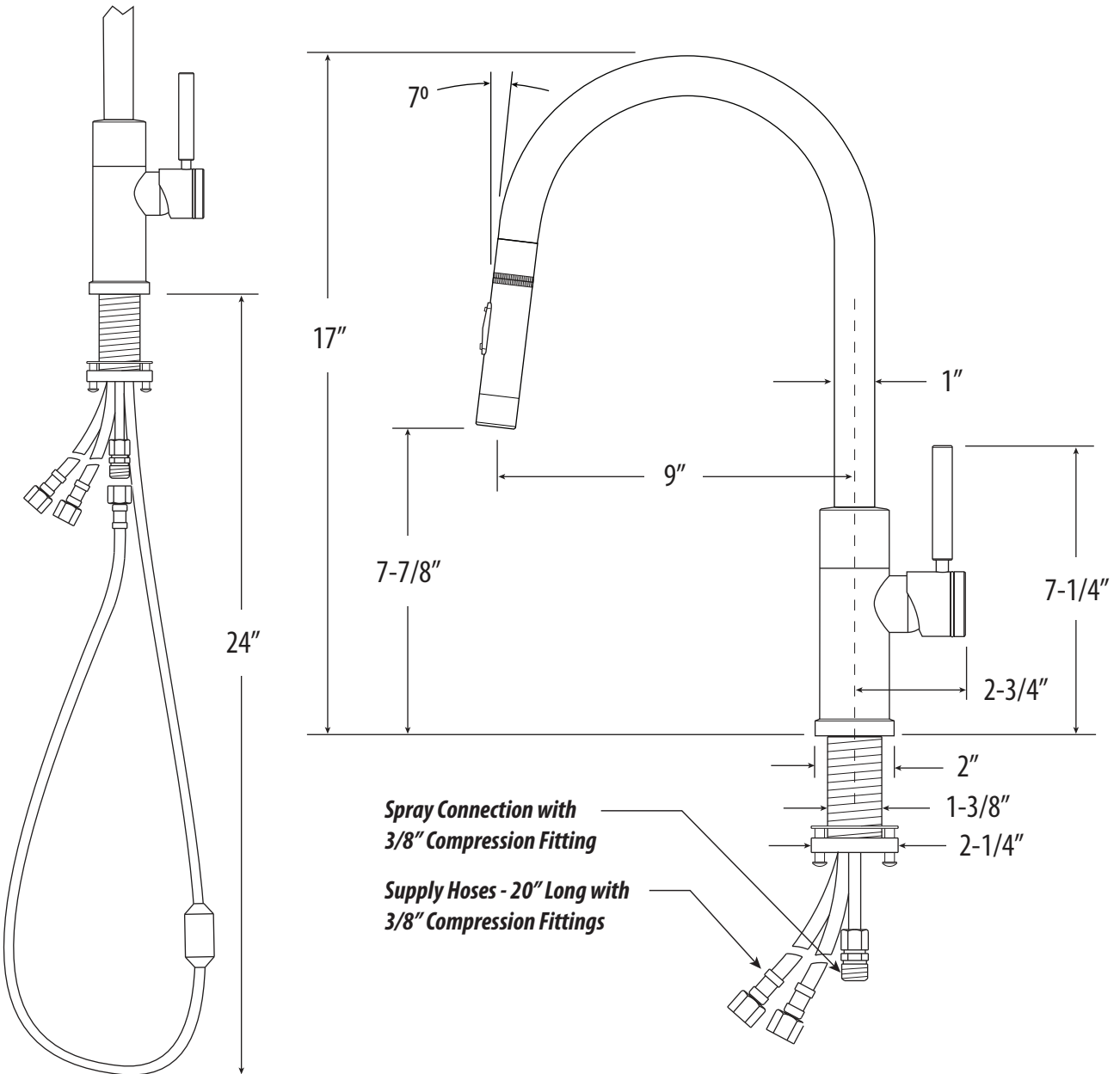


MODERN PLP PULLDOWN FAUCET / ANGLED SPOUT

9460

- Max Counter Thickness 2-3/8"
- Minimum Install Hole Size 1-1/2"



DIMENSIONS MAY VARY AND ARE SUBJECT TO CHANGE. NO RESPONSIBILITY IS ASSUMED FOR USE OF SUPERCEDED OR VOIDED DATA

MODERN PLP PULLDOWN FAUCET / ANGLED SPOUT

9460



Finish Shown - Graphite

FEATURES

- 7 degree angled spout flows outward towards middle of sink.
- Thin, sleek faucet body design is perfect for minimal kitchens.
- "Positive Lock Pulldown" design locks sprayer in place when not in use.
- Spout has 9" reach and can swivel 360 degrees.
- Anti-rocking spout assembly ensures smooth spout swivel without wobbling.
- Toggle handle spray head pulls out 18" from spout.
- Counterbalanced weight on spray hose allows smooth pull out and prevents snap back.
- Sprayer instantly diverts water from aerated stream to wide spray when toggle button is held.
- 1.75 gpm maximum flow rate with aerated tip.
- Innovative wave spring handle tension system prevents sagging and requires no adjustment.
- When mounted on side, handle can adjust 22.5 degrees for backsplash clearance.
- 25mm hot/cold ceramic disk valve cartridge.
- Resistant to reverse osmosis water.
- Made from solid brass or 316 stainless steel.
- 20" reinforced braided connection hoses with 3/8" compression fitting.
- Includes reversible or removable hot/cold indicator ring.

CODES/STANDARDS APPLICABLE

Specified model meets or exceeds the following:

- ASME A112.18.1
- CSA B125.1
- NSF 61, 372
- CALGreen



AVAILABLE IN 32 FINISHES + SOLID 316 MARINE GRADE STAINLESS STEEL