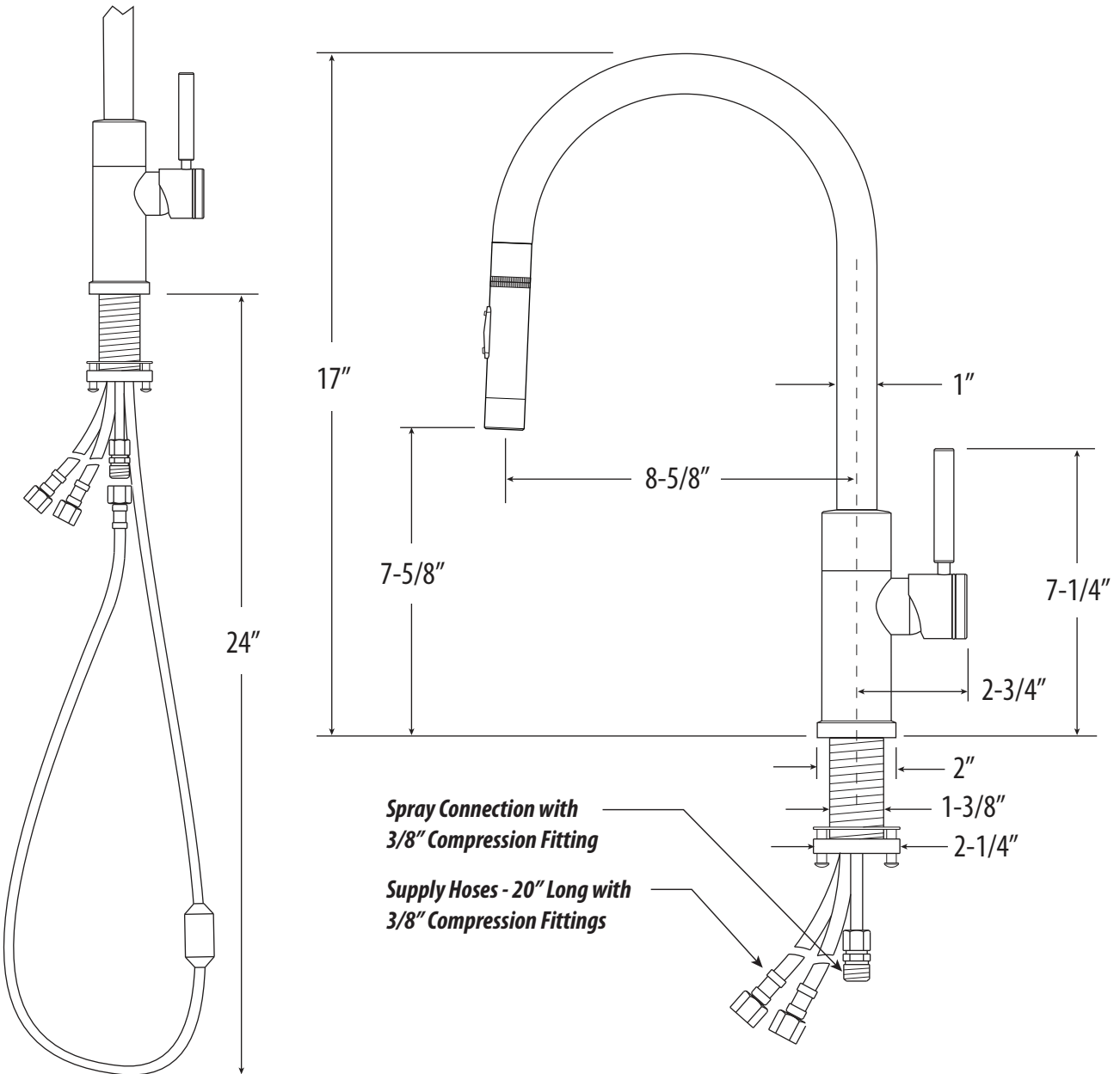


CONTEMPORARY PLP PULLDOWN FAUCET / TOGGLE SPRAYER

9450

- Max Counter Thickness 2-3/8"
- Minimum Install Hole Size 1-1/2"



ECO BRASS
HIGH PERFORMANCE LEAD FREE BRASS

DIMENSIONS MAY VARY AND ARE SUBJECT TO CHANGE. NO RESPONSIBILITY IS ASSUMED FOR USE OF SUPERCEDED OR VOIDED DATA

CONTEMPORARY PLP PULLDOWN FAUCET / TOGGLE SPRAYER

9450



Finish Shown - Graphite

FEATURES

- Thin, sleek faucet body design is perfect for modern kitchens.
- “Positive Lock Pulldown” design locks sprayer in place when not in use.
- Spout has 8-5/8” reach and can swivel 360 degrees.
- Anti-rocking spout assembly ensures smooth spout swivel without wobbling.
- Toggle handle spray head pulls out 18” from spout.
- Counterbalanced weight on spray hose allows smooth pull out and prevents snap back.
- Sprayer instantly diverts water from aerated stream to wide spray when toggle button is held.
- 1.75 gpm maximum flow rate with aerated tip.
- Innovative wave spring handle tension system prevents sagging and requires no adjustment.
- 25mm hot/cold ceramic disk valve cartridge.
- Resistant to reverse osmosis water.
- Made from eco-friendly solid brass or 316 stainless steel.
- 20” reinforced braided connection hoses with 3/8” compression fitting.
- Includes reversible or removable hot/cold indicator ring.
- Lifetime functional warranty.

CODES/STANDARDS APPLICABLE

Specified model meets or exceeds the following:

- **ASME A112.18.1**
- **CSA B125.1**
- **NSF 61, 372**
- **CALGreen**



AVAILABLE IN 32 FINISHES + SOLID 316 MARINE GRADE STAINLESS STEEL