

TOWSON TWO HANDLED KITCHEN FAUCET - 12" ARTICULATED SPOUT



Product Description

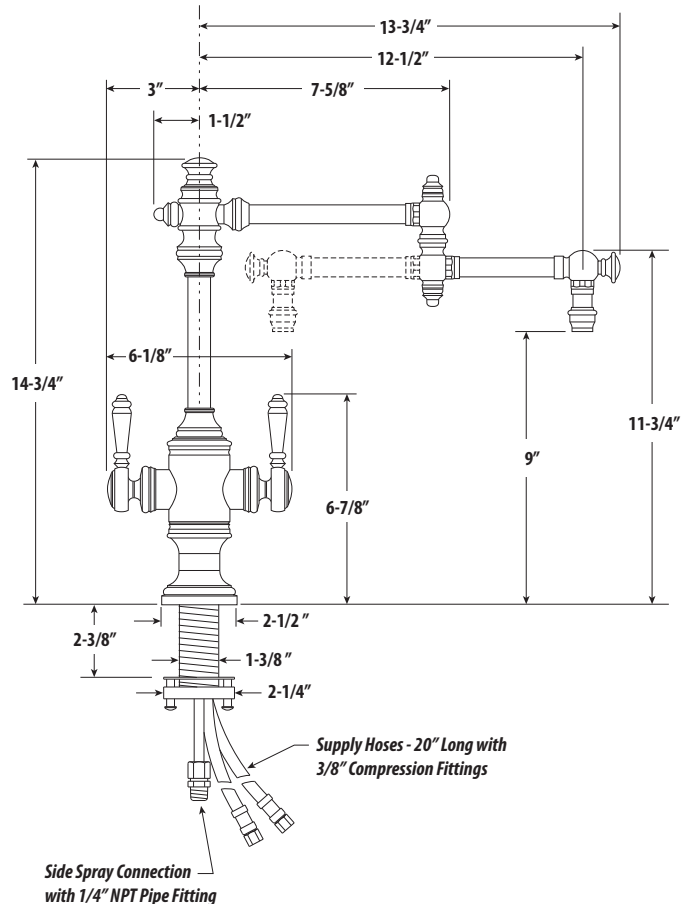
- Hot and cold double lever handles.
- Adjustable handle brake system prevents handle sagging.
- 12" articulated spout design.
- 13-3/4" spout reach.
- Solid brass construction.
- 4 handle buttons included: 2 matching finish and 2 hot and cold buttons.
- Diverter equipped for connection to optional side spray.
- 1.75 gpm maximum flow rate.
- Reinforced braided connection hoses.
- Lifetime Functional Warranty.

Codes/Standards Applicable

Specified model meets or exceeds the following:

- ASME A112.18.1
- CSA B125.1
- NSF 61
- CALGreen

- Max Counter Thickness 2-3/8"
- Recommended Install Hole Size 1-5/8"



DIMENSIONS MAY VARY AND ARE SUBJECT TO CHANGE. NO RESPONSIBILITY IS ASSUMED FOR USE OF SUPERCEDED OR VOIDED DATA

Finishes Available

FINISHES AVAILABLE:

- | | |
|-----------------------|-------------------------------|
| Almond - 01 | Black - 06 |
| Antique Brass - AB | Black Nickel - BLN |
| Antique Bronze - ABZ | Black-Oil Rubbed Bronze - ORB |
| Antique Copper - AC | Biscuit - 07 |
| American Bronze - AMB | Caribbean Bronze - CB |
| Antique Pewter - AP | Chocolate Bronze - CHB |
| | Chrome - CH |

- | |
|-----------------------------------|
| Distressed Antique Brass - DAB |
| Distressed Antique Copper - DAC |
| Distressed American Bronze - DAMB |
| Distressed Antique Pewter - DAP |
| Euro-White - EW |
| Matte Black - MB |
| Polished Brass - PB |

- | |
|-----------------------|
| Polished Copper - PC |
| Polished Gold - PG |
| Polished Nickel - PN |
| Satin Chrome - SC |
| Satin Gold - SG |
| Satin Nickel - SN |
| Stainless Steel - SS* |

- | |
|-----------------------|
| Tuscan Brass - TB |
| Venetian Bronze - VB |
| Weathered Brass - WB |
| Weathered Copper - WC |
| White - WT |

★ **MADE IN AMERICA** ★

41180 Raintree Court • Murrieta, CA 92562 • 1-888-304-0660 • 951-304-0520 • www.waterstoneco.com

*Contemporary Styles Only

REVISED: 1-1-15