

HAMPTON BRIDGE FAUCET SPECS - CROSS HANDLES



Product Description

- Compatible with Reverse Osmosis
- Solid brass construction.
- 360 degree swivel spout.
- Aerated stream.
- 4 handle caps included: 2 plain finish caps and 2 ceramic hot and cold caps.
- 1.75 gpm maximum flow rate.
- Diverter equipped for connection to optional side spray.
- Reinforced braided connection hoses.

Codes/Standards Applicable

Specified model meets or exceeds the following:

- ASME A112.18.1
- CSA B125.1
- NSF 61
- CALGreen

Finishes Available

FINISHES AVAILABLE:

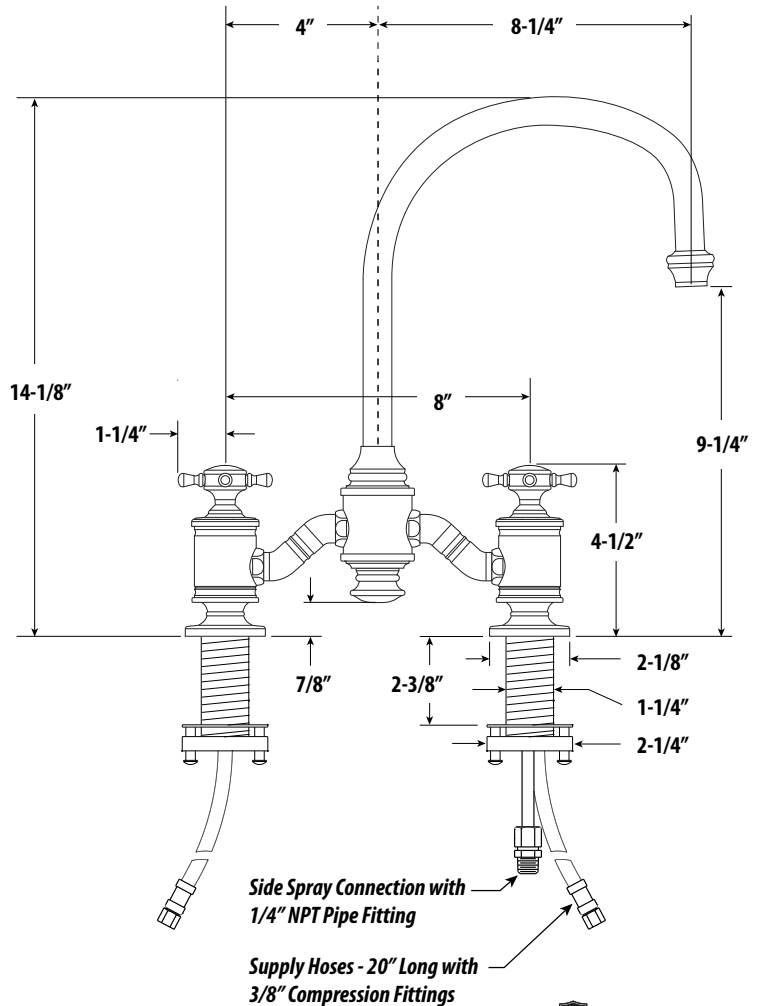
Almond - 01
 Antique Brass - AB
 Antique Bronze - ABZ
 Antique Copper - AC
 American Bronze - AMB
 Antique Pewter - AP
 Black - 06
 Black Nickel - BLN
 Black-Oil Rubbed Bronze - ORB
 Biscuit - 07
 Caribbean Bronze - CB
 Chocolate Bronze - CHB
 Chrome - CH

Distressed Antique Brass - DAB
 Distressed Antique Copper - DAC
 Distressed American Bronze - DAMB
 Distressed Antique Pewter - DAP
 Euro-White - EW
 Matte Black - MB
 Polished Brass - PB

Polished Copper - PC
 Polished Gold - PG
 Polished Nickel - PN
 Satin Chrome - SC
 Satin Gold - SG
 Satin Nickel - SN
 Stainless Steel - SS*

Tuscan Brass - TB
 Venetian Bronze - VB
 Weathered Brass - WB
 Weathered Copper - WC
 White - WT

- Max Counter Thickness 2-3/8"
- Recommended Install Hole Size 1-3/8"



ECO BRASS
 HIGH PERFORMANCE LEAD FREE BRASS

DIMENSIONS MAY VARY AND ARE SUBJECT TO CHANGE. NO RESPONSIBILITY IS ASSUMED FOR USE OF SUPERCEDED OR VOIDED DATA

★ **MADE IN AMERICA** ★

41180 Raintree Court • Murrieta, CA 92562 • 1-888-304-0660 • 951-304-0520 • www.waterstoneco.com

*Contemporary Styles Only

REVISED: 4-6-15