

## TRADITIONAL WHEEL PULL DOWN FAUCET SPECS



### Product Description

- Compatible with Reverse Osmosis filtration systems.
- “Easy Pull” continuous force spring controls pull-down feel.
- Spray head extends 20” from spout.
- Lever select spray or aerated stream.
- 1.75 gpm maximum flow rate with stream selected.
- Solid Brass construction.
- Single lever control hot/cold ceramic disk valve cartridge.
- Handle adjusts 45 degrees in either direction for clearance from backsplash.
- Braided connection hoses.
- Adjustable PTFE “Friction Lock” aids handle feel and prevents sag.
- 360 degree swivel spout.

### Codes/Standards Applicable

Specified model meets or exceeds the following:

- ASME A112.18.1
- CSA B125.1
- NSF 61
- CALGreen
- AB 1953

### Finishes Available

#### FINISHES AVAILABLE:

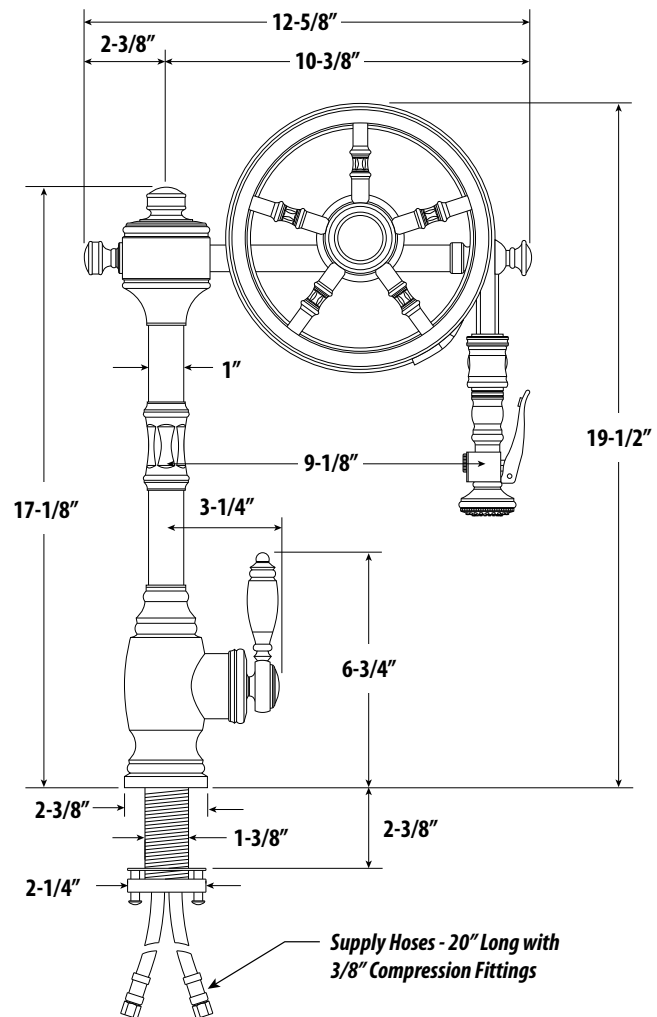
Almond - 01  
 Antique Brass - AB  
 Antique Bronze - ABZ  
 Antique Copper - AC  
 American Bronze - AMB  
 Antique Pewter - AP  
 Black - 06  
 Black Nickel - BLN  
 Black-Oil Rubbed Bronze - ORB  
 Biscuit - 07  
 Caribbean Bronze - CB  
 Chocolate Bronze - CHB  
 Chrome - CH

Distressed Antique Brass - DAB  
 Distressed Antique Copper - DAC  
 Distressed American Bronze - DAMB  
 Distressed Antique Pewter - DAP  
 Euro-White - EW  
 Matte Black - MB  
 Polished Brass - PB

Polished Copper - PC  
 Polished Gold - PG  
 Polished Nickel - PN  
 Satin Chrome - SC  
 Satin Gold - SG  
 Satin Nickel - SN  
 Stainless Steel - SS\*

Tuscan Brass - TB  
 Venetian Bronze - VB  
 Weathered Brass - WB  
 Weathered Copper - WC  
 White - WT

- Max Counter Thickness 2-3/8”
- Recommended Install Hole Size 1-1/2”



Supply Hoses - 20” Long with  
 3/8” Compression Fittings



DIMENSIONS MAY VARY AND ARE SUBJECT TO CHANGE. NO RESPONSIBILITY IS ASSUMED FOR USE OF SUPERCEDED OR VOIDED DATA