

TOWSON KITCHEN FAUCET SPECS - 12" ARTICULATED SPOUT



Product Description

- Solid brass construction.
- Single lever control hot/cold ceramic disk valve cartridge.
- 360 degree swivel spout.
- Aerated stream.
- 3 handle caps included. Plain, and ceramic right hand or left hand operation indicated for hot and cold.
- 1.75 gpm maximum flow rate.
- Diverter equipped for connection to optional side spray.
- Reinforced braided connection hoses.
- Adjustable PTFE "Friction Lock" aids handle feel and prevents sag.
- Handle adjusts for clearance from backsplash.

Codes/Standards Applicable

Connection Box complies with the following:

- ASME A112.18.1
- CSA B125.1
- NSF 61
- CALGreen

Finishes Available

FINISHES AVAILABLE:

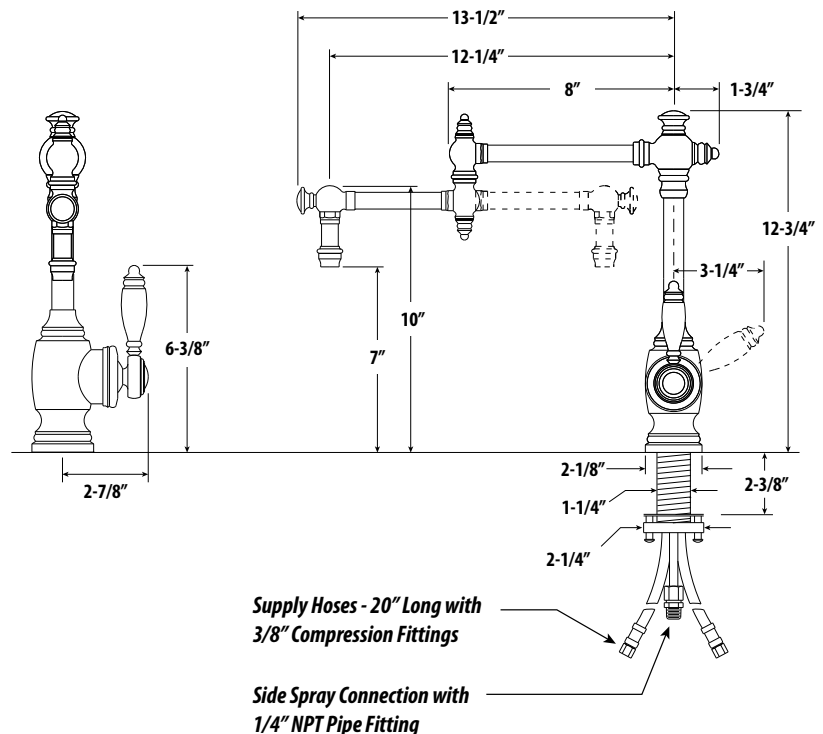
Almond - 01	Black - 06
Antique Brass - AB	Black Nickel - BLN
Antique Bronze - ABZ	Black-Oil Rubbed Bronze - ORB
Antique Copper - AC	Biscuit - 07
American Bronze - AMB	Caribbean Bronze - CB
Antique Pewter - AP	Chocolate Bronze - CHB
	Chrome - CH

Distressed Antique Brass - DAB
Distressed Antique Copper - DAC
Distressed American Bronze - DAMB
Distressed Antique Pewter - DAP
Euro-White - EW
Matte Black - MB
Polished Brass - PB

Polished Copper - PC
Polished Gold - PG
Polished Nickel - PN
Satin Chrome - SC
Satin Gold - SG
Satin Nickel - SN
Stainless Steel - SS*

Tuscan Brass - TB
Venetian Bronze - VB
Weathered Brass - WB
Weathered Copper - WC
White - WT

- Max Counter Thickness 2-3/8"
- Recommended Install Hole Size 1-3/8"



DIMENSIONS MAY VARY AND ARE SUBJECT TO CHANGE. NO RESPONSIBILITY IS ASSUMED FOR USE OF SUPERCEDED OR VOIDED DATA

★ **MADE IN AMERICA** ★

41180 Raintree Court • Murrieta, CA 92562 • 1-888-304-0660 • 951-304-0520 • www.waterstoneco.com

*Contemporary Styles Only

REVISED: 4-6-14