

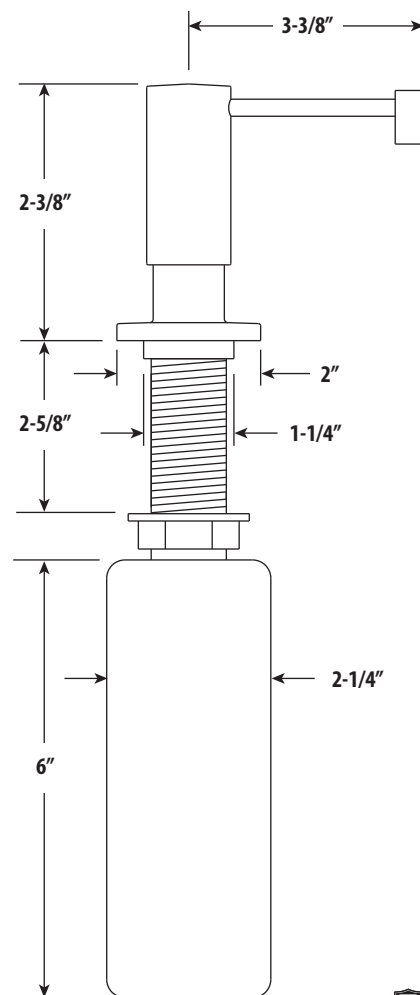
# CONTEMPORARY SOAP/LOTION DISPENSER - STRAIGHT SPOUT



## Product Description

- Solid brass or stainless steel construction.
- "Anti-wick" tip helps protect delicate patina finishes.
- PTFE guides for smooth action and solid feel.
- Easily replaceable pump.
- 12oz capacity (approx).
- Refill from top design.
- Requires 1-3/8" mounting hole.

- Max Counter Thickness 2-5/8"
- Recommended Install Hole Size 1-3/8"



DIMENSIONS MAY VARY AND ARE SUBJECT TO CHANGE. NO RESPONSIBILITY IS ASSUMED FOR USE OF SUPERCEDED OR VOIDED DATA

## Finishes Available

### FINISHES AVAILABLE:

Almond - 01

Antique Brass - AB

Antique Bronze - ABZ

Antique Copper - AC

American Bronze - AMB

Antique Pewter - AP

Black - 06

Black Nickel - BLN

Black-Oil Rubbed Bronze - ORB

Biscuit - 07

Caribbean Bronze - CB

Chocolate Bronze - CHB

Chrome - CH

Distressed Antique Brass - DAB

Distressed Antique Copper - DAC

Distressed American Bronze - DAMB

Distressed Antique Pewter - DAP

Euro-White - EW

Matte Black - MB

Polished Brass - PB

Polished Copper - PC

Polished Gold - PG

Polished Nickel - PN

Satin Chrome - SC

Satin Gold - SG

Satin Nickel - SN

Stainless Steel - SS\*

Tuscan Brass - TB

Venetian Bronze - VB

Weathered Brass - WB

Weathered Copper - WC

White - WT

★ **MADE IN AMERICA** ★

41180 Raintree Court • Murrieta, CA 92562 • 1-888-304-0660 • 951-304-0520 • www.waterstoneco.com

\*Contemporary Styles Only

REVISED: 7-31-14