

# FULTON KITCHEN FAUCET



## Product Description

- Solid brass or stainless steel construction.
- Ceramic disk valve cartridge.
- Reversible/removable Hot & Cold indicator ring.
- 1.75 gpm maximum flow rate with aerated tip.
- Lever handle.
- Diverter equipped for connection to optional side spray.
- Reinforced braided connection hoses.
- Adjustable PTFE "Friction Lock" aids handle feel and prevents sag.
- Handle adjusts for clearance from backsplash.
- Spout swivels 360 degrees.

## Codes/Standards Applicable

Specified model meets or exceeds the following:

- ASME A112.18.1
- CSA B125.1
- NSF 61
- CALGreen

## Finishes Available

### FINISHES AVAILABLE:

Almond - 01

Antique Brass - AB

Antique Bronze - ABZ

Antique Copper - AC

American Bronze - AMB

Antique Pewter - AP

Black - 06

Black Nickel - BLN

Black-Oil Rubbed Bronze - ORB

Biscuit - 07

Caribbean Bronze - CB

Chocolate Bronze - CHB

Chrome - CH

Distressed Antique Brass - DAB

Distressed Antique Copper - DAC

Distressed American Bronze - DAMB

Distressed Antique Pewter - DAP

Euro-White - EW

Matte Black - MB

Polished Brass - PB

Polished Copper - PC

Polished Gold - PG

Polished Nickel - PN

Satin Chrome - SC

Satin Gold - SG

Satin Nickel - SN

Stainless Steel - SS\*

Tuscan Brass - TB

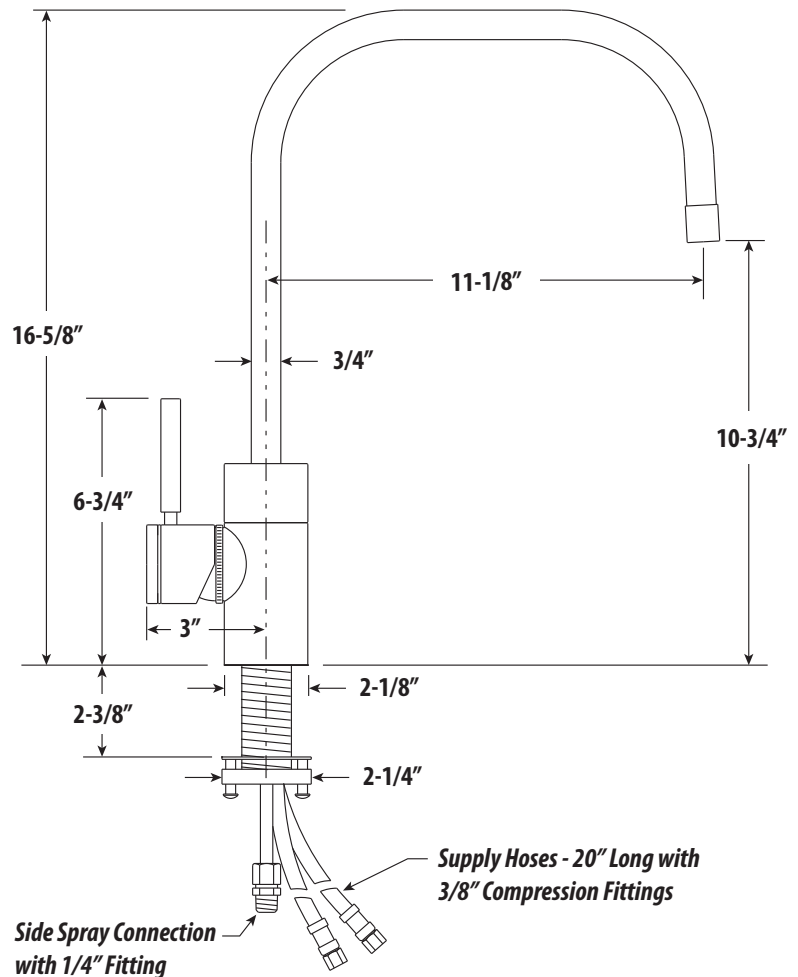
Venetian Bronze - VB

Weathered Brass - WB

Weathered Copper - WC

White - WT

- Max Counter Thickness 2-3/8"
- Recommended Install Hole Size 1-3/8"



DIMENSIONS MAY VARY AND ARE SUBJECT TO CHANGE. NO RESPONSIBILITY IS ASSUMED FOR USE OF SUPERCEDED OR VOIDED DATA

★ **MADE IN AMERICA** ★

41180 Raintree Court • Murrieta, CA 92562 • 1-888-304-0660 • 951-304-0520 • www.waterstoneco.com

\*Contemporary Styles Only

REVISED: 7-31-14