

CONTEMPORARY REVERSE OSMOSIS AIR GAP



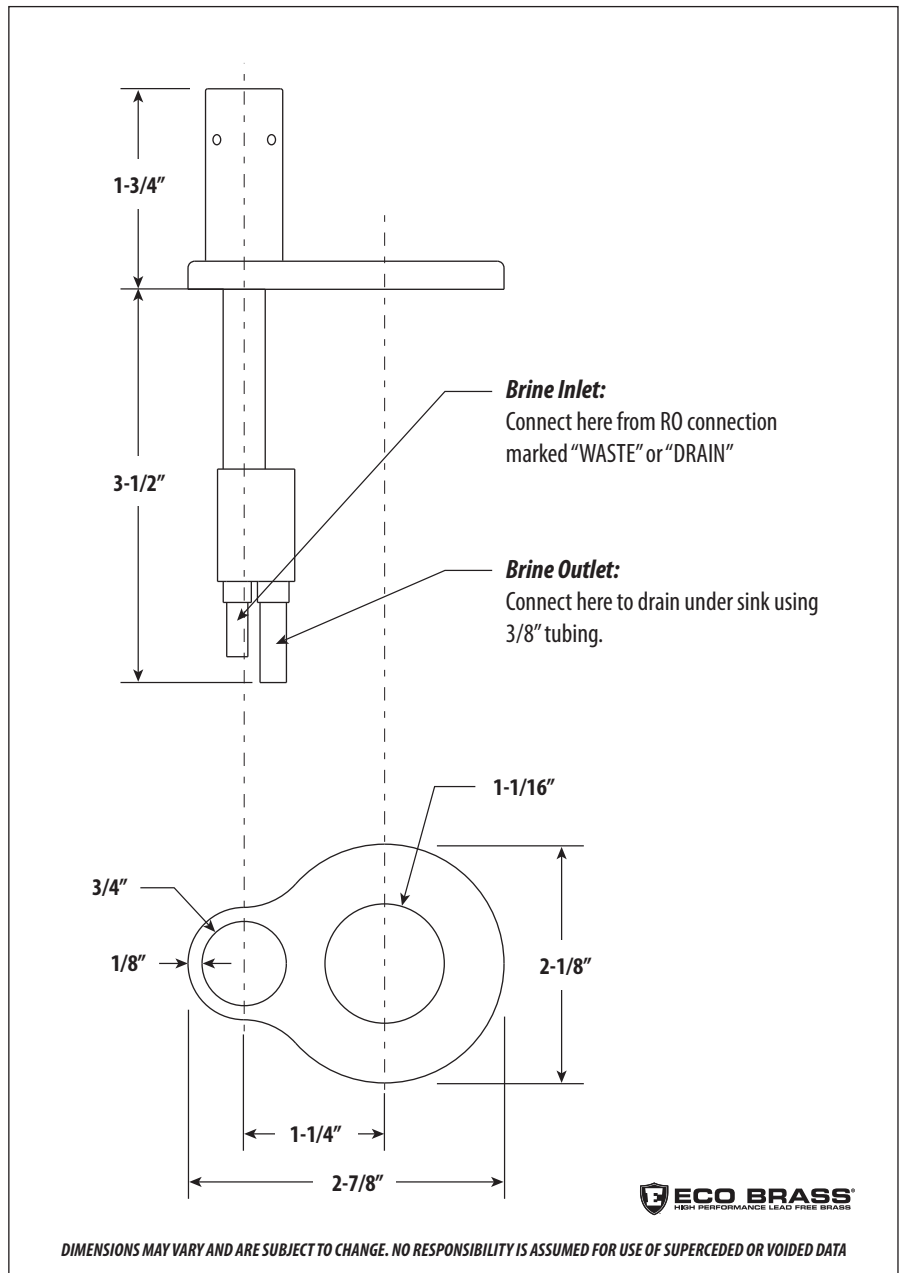
Product Description

- Designed for use with Waterstone filtration faucets.
- Solid brass or stainless steel construction.

Codes/Standards Applicable

Specified model meets or exceeds the following:

- ASME A112.18.1
- CSA B125.1



Finishes Available

FINISHES AVAILABLE:

Almond - 01	Black - 06	Distressed Antique Brass - DAB	Polished Copper - PC	Tuscan Brass - TB
Antique Brass - AB	Black Nickel - BLN	Distressed Antique Copper - DAC	Polished Gold - PG	Venetian Bronze - VB
Antique Bronze - ABZ	Black-Oil Rubbed Bronze - ORB	Distressed American Bronze - DAMB	Polished Nickel - PN	Weathered Brass - WB
Antique Copper - AC	Biscuit - 07	Distressed Antique Pewter - DAP	Satin Chrome - SC	Weathered Copper - WC
American Bronze - AMB	Caribbean Bronze - CB	Euro-White - EW	Satin Gold - SG	White - WT
Antique Pewter - AP	Chocolate Bronze - CHB	Matte Black - MB	Satin Nickel - SN	
	Chrome - CH	Polished Brass - PB	Stainless Steel - SS*	

★ **MADE IN AMERICA** ★

41180 Raintree Court • Murrieta, CA 92562 • 1-888-304-0660 • 951-304-0520 • www.waterstoneco.com

*Contemporary Styles Only

REVISED: 7-31-14