

# FILTRATION FAUCET INSTALLATION INSTRUCTIONS

**Filtration Model #s:**

1100H	1425H
1100C	1425C
1100HC	1425HC
1150H	1700H
1150C	1700C
1150HC	1700HC
1200H	1750H
1200C	1750C
1200HC	1750HC
1250H	1900H
1250C	1900C
1250HC	1900HC
1202H	
1202C	
1202HC	
1252H	
1252C	
1252HC	
1400H	
1400C	
1400HC	



## BEFORE YOU BEGIN YOUR INSTALLATION:

1



Turn off water supply.

2



Observe all local plumbing codes.

3



Inspect waste and water supplies for signs of damage. Replace as necessary.

4



DO NOT use petroleum based products on this faucet.

### REQUIRED TOOLS:



1. Adjustable Wrench

### PARTS INCLUDED:

*\*XX represents finish*

**COLD ONLY**  
**HK-CFF-XX\***  
**COLD ONLY FILTRATION**  
**HARDWARE KIT**

**HOT ONLY**  
**HK-FBF-XX\***  
**HOT ONLY FILTRATION**  
**HARDWARE KIT**

**HOT / COLD**  
**HK-FBF-XX\***  
**HOT/COLD FILTRATION**  
**HARDWARE KIT**

## LIFETIME WARRANTY

All Waterstone products manufactured by Waterstone carry a **Limited Lifetime Guarantee** against functional defect in material or workmanship in a residential application. Consult with an authorized Waterstone dealer for complete information about our warranty.

**WARNING** - Since 2005, Waterstone has continued to advise all of our customers against the installation of any brand of in-line water chiller unit with our faucets. Compressor style chiller units have been proven to arbitrarily exceed the standard household in line pressure ratings causing the faucet inlet connection line to burst and create the potential for water damage claims in the field.

**USE OF AN IN-LINE INSTALLATION OF A WATER CHILLER WITH A WATERSTONE FAUCET OF ANY KIND WILL VOID OUR WARRANTY.**

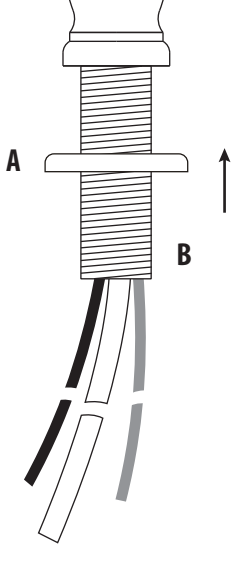
Waterstone can not and will not be held liable for damages created by a use for which our products were not designed. Waterstone will only recommend the installation of a water chiller in the vented side (in place of a hot tank) with one of our Hot or Hot & Cold Filtration faucet models.

For any questions or concerns about your faucet's warranty, contact Waterstone.

Waterstone Faucets  
 41180 Raintree Court • Murrieta, CA 92562  
 1-888-304-0660  
 www.waterstoneco.com

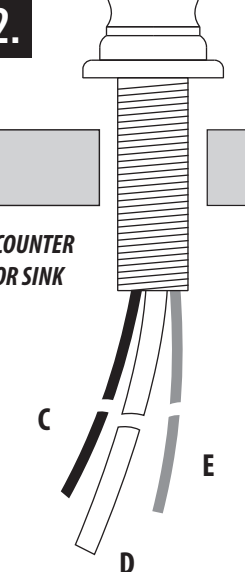
## HOT AND COLD FILTRATION FAUCET INSTALLATION

**1.**



Slide escutcheon plate (A) onto threaded shroud (B) and up to base of faucet.

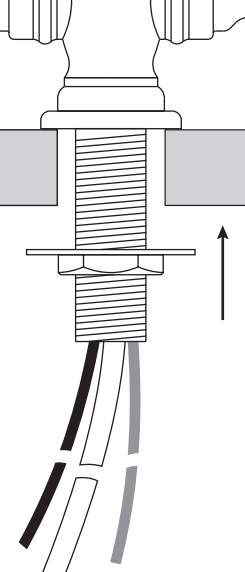
**2.**



COUNTER OR SINK

Fit flexible hoses (C, D, E) through hole on counter or sink. (No plumbers putty is required. Vinyl washer seals base).

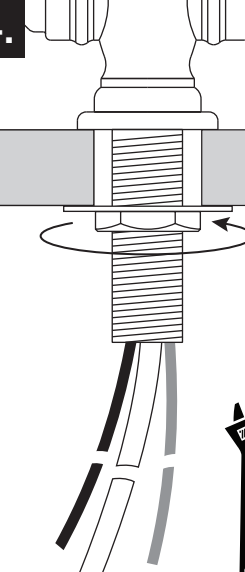
**3.**



F

Thread the nut (F) onto threaded shroud. Hand tighten nut to underside of sink or counter.

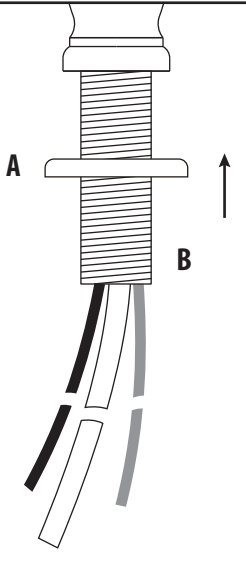
**4.**



Turn faucet to the desired handle position. Securely tighten nut with adjustable wrench.

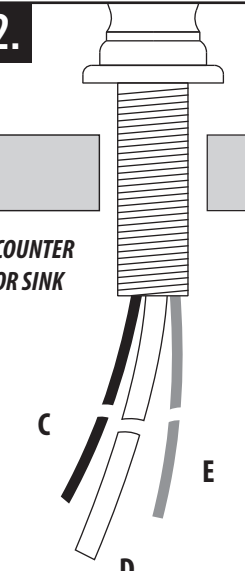
## HOT ONLY FILTRATION FAUCET INSTALLATION

**1.**



Install escutcheon (A) onto faucet shank (B).

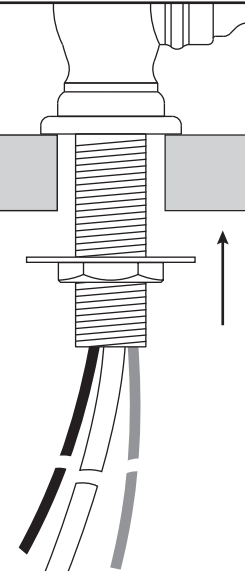
**2.**



COUNTER OR SINK

Fit flexible hoses (C, D, E) through hole on counter or sink. (No plumbers putty is required. Vinyl washer seals base).

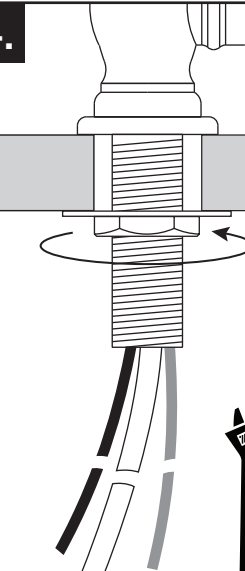
**3.**



F

Thread the nut (F) onto threaded shroud. Hand tighten nut to underside of sink or counter.

**4.**



Turn faucet to the desired handle position. Securely tighten nut with adjustable wrench.

# COLD ONLY FILTRATION FAUCET INSTALLATION

**1.**

Slide escutcheon plate (A) onto threaded shroud (B) and up to base of faucet.

**2.**

COUNTER OR SINK

Fit faucet shank through hole on counter or sink. (No plumbers putty is required. Vinyl washer seals base).

**3.**

Slide large washer (C) and star lock washer (D) onto shank. Thread the nut (E) and hand tighten underside of sink or counter.

**4.**

Turn faucet to the desired handle position. Securely tighten nut with adjustable wrench.

**5.**

Slide compression nut (F) over end of supply tube. Slide ferrule (G) onto end of supply tube, long tapered end first.

EXTEND 1/4"

Slide ferrule until 1/4" of tubing is showing out the end.

**6.**

Insert extended portion of tubing and tighten compression nut to end of faucet shank with wrench.