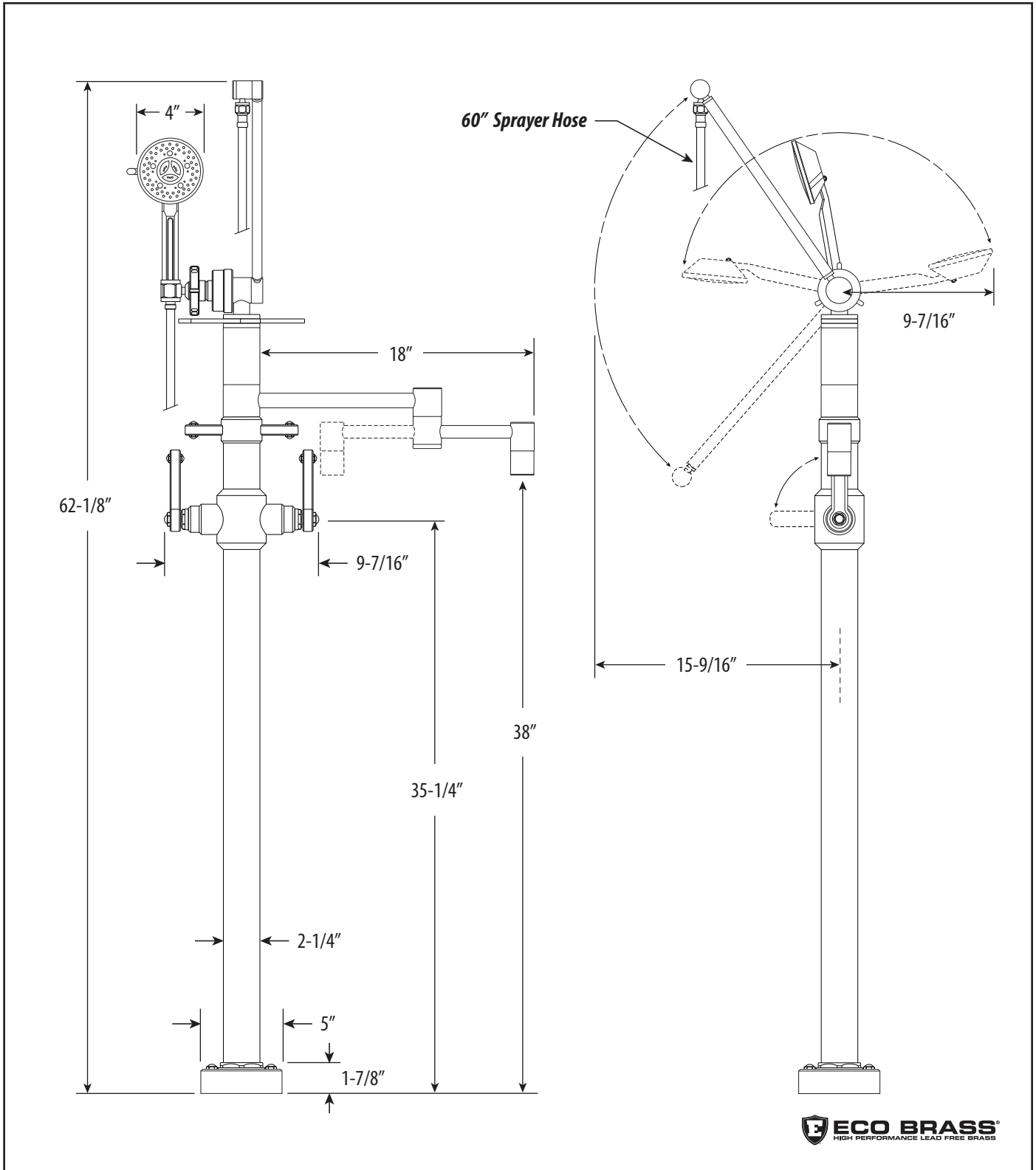


ARGONAUT FREESTANDING TUB FILLER W/ HAND SHOWER

10110



DIMENSIONS MAY VARY AND ARE SUBJECT TO CHANGE. NO RESPONSIBILITY IS ASSUMED FOR USE OF SUPERCEDED OR VOIDED DATA