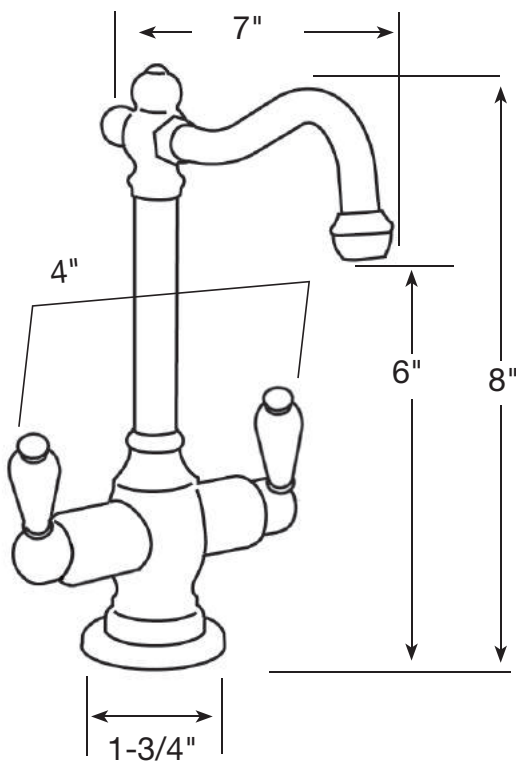
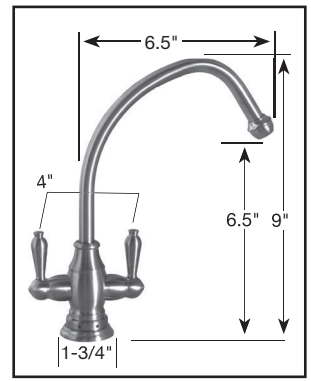


MODEL	DESCRIPTION	FINISH	PART #	LIST PRICE
<b>VICTORIA SERIES LVH720</b>	EverHot Lead Free Hot/Cold Water Dispenser	<b>FAUCET &amp; EVERHOT TANK</b>		
<b>HOT/COLD</b>	Shipping Wt: 12 lbs.	CHROME	WI-LVH720HC-CH	\$706.95
	Includes faucet, EverHot tank, 3' cord & tubing.	SATIN NICKEL- <b>PVD</b>	WI-LVH720HC-SN	\$837.95
	Victorian design • <b>adjustable flow control with 1/4 turn ceramic disc valve for filling pitchers and pots</b> • swivel spout • built-in aerator	SPECIAL*	WI-LVH720HC-__	\$910.95
	Certified to NSF/ANSI Standard 61 and California Proposition 65.	*SPECIAL = any sigma finish except precious metal (silver & gold) SEE CUSTOM FINISH INFO ON PAGE 87 FOR EXAMPLES. Allow 6 to 8 weeks for delivery.		
	Chiller sold separately (see EverCold, page 78).	<b>FAUCET ONLY</b>		
<b>FAUCET ONLY</b>	Shipping Wt: 5 lbs.	CHROME	WI-FA720HC-CH	\$412.95
		SATIN NICKEL- <b>PVD</b>	WI-FA720HC-SN	\$511.95
		SPECIAL	WI-FA720HC-__	\$584.95
		*SPECIAL = any sigma finish except precious metal (silver & gold) SEE CUSTOM FINISH INFO ON PAGE 87 FOR EXAMPLES. Allow 6 to 8 weeks for delivery.		

**Dimensions:**  
 Height: 8" (9" for J-Spout)  
 Reach: 7" (6.5" for J-Spout)  
 Spout Diameter: 1/2"  
 Hole Size Required: 1-1/4"



**NEW! 720 J-SPOUT**



**NEW! J-SPOUT FAUCET & EVERHOT TANK NEW!**

CHROME	WI-LVH720JHC-CH	\$756.95
SATIN NICKEL- <b>PVD</b>	WI-LVH720JHC-SN	\$887.95
SPECIAL*	WI-LVH720JHC-__	\$960.95
*SPECIAL = any sigma finish except precious metal (silver & gold) SEE CUSTOM FINISH INFO ON PAGE 87 FOR EXAMPLES. Allow 6 to 8 weeks for delivery.		

**NEW! J-SPOUT FAUCET ONLY NEW!**

CHROME	WI-FA720JHC-CH	\$462.95
SATIN NICKEL- <b>PVD</b>	WI-FA720JHC-SN	\$561.95
SPECIAL	WI-FA720JHC-__	\$634.95
*SPECIAL = any sigma finish except precious metal (silver & gold) SEE CUSTOM FINISH INFO ON PAGE 87 FOR EXAMPLES. Allow 6 to 8 weeks for delivery.		

**Please call for pricing on any Finish/Faucet combinations not listed.**

**A separate air gap is available for reverse osmosis on this model. See pages 79 and 80.**

**UPGRADE SYSTEM TO A STAINLESS STEEL TANK FOR \$100.**  
 Add -SS to end of part number  
 (see pg. 76 for tank specs)

The Everhot mark is used under license from Bradford White Corp.



Meets no lead standards for CA AB 1953 and VT Act 193.

**MAXIMUM recommended line pressure for this product is 75 PSI.** Pressure above 75 PSI indicates the absence of a properly functioning water pressure regulator at the property. Excessive water pressure poses a risk of property damage to you. Problems due to excessive water pressure are NOT covered by this product's warranty. **BEFORE** installation of any Water, Inc. product, confirm that water supply pressure does not exceed 75 PSI. Questions? Contact Water, Inc. Service Dept. at 800.322.WATER(9283)