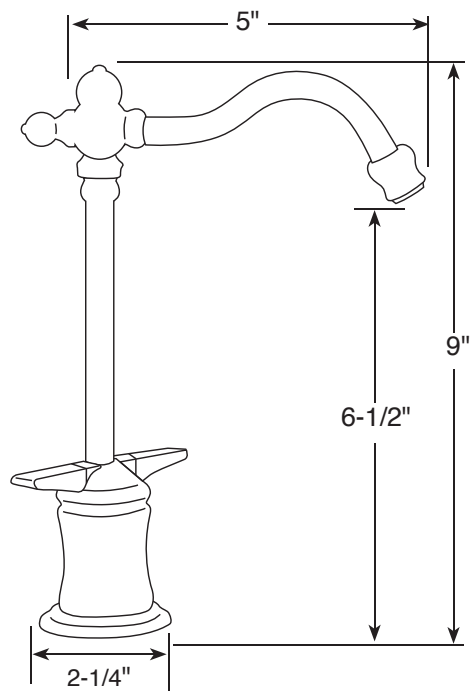


MODEL	DESCRIPTION	FINISH	PART #	LIST PRICE
TRADITIONAL SERIES LVH630	EverHot Lead Free Hot/Cold Water Dispenser	FAUCET & EVERHOT TANK		
	Shipping Wt: 10 lbs.	CHROME	WI-LVH630HC-CH	\$886.95
HOT/COLD	Traditional design • locking lever option for filling pitchers and pots • built in aerator • swivel spout	SPECIAL		
		POLISHED NICKEL	WI-LVH630HC-PN	\$906.95
WITH VICTORIA SPOUT	Includes faucet, EverHot tank, 3' cord, & tubing.	SATIN NICKEL	WI-LVH630HC-SN	\$906.95
		PREMIUM		
	Certified to NSF/ANSI Standard 61 and California Proposition 65.	OIL RUBBED BRONZE	WI-LVH630HC-ORB	\$926.95
	Chiller sold separately (see EverCold, page 78).	FAUCET ONLY		
FAUCET ONLY	Shipping Wt: 3 lbs.	CHROME	WI-FA630HC-CH	\$565.95
		SPECIAL		
		POLISHED NICKEL	WI-FA630HC-PN	\$585.95
		SATIN NICKEL	WI-FA630HC-SN	\$585.95
		PREMIUM		
		OIL RUBBED BRONZE	WI-FA630HC-ORB	\$605.95

Dimensions:
 Height: 9"
 Reach: 5"
 Spout Diameter: 1/2"
 Hole Size Required: 1-1/4"



Please call for pricing on any Finish/Faucet combinations not listed.

For use with reverse osmosis systems, use Air Gap Module shown on page 57.

**PHASING OUT PRODUCT
 LIMITED QUANTITIES
 CALL FOR AVAILABILITY**

**UPGRADE SYSTEM TO A
 STAINLESS STEEL TANK
 FOR \$100.**
 Add **-SS** to end of part number
 (see pg. 76 for tank specs)



Meets no lead standards for CA AB 1953 and VT Act 193.

The Everhot mark is used under license from Bradford White Corp.

MAXIMUM recommended line pressure for this product is 75 PSI. Pressure above 75 PSI indicates the absence of a properly functioning water pressure regulator at the property. Excessive water pressure poses a risk of property damage to you. Problems due to excessive water pressure are NOT covered by this product's warranty. **BEFORE** installation of any Water, Inc. product, confirm that water supply pressure does not exceed 75 PSI. Questions? Contact Water, Inc. Service Depart. at 800.322.WATER(9283)