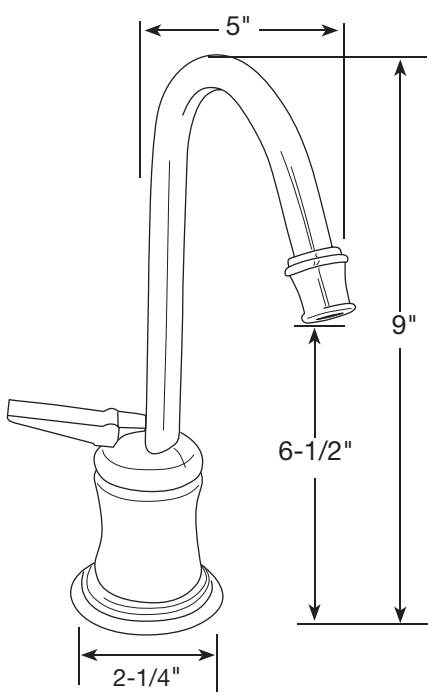




MODEL	DESCRIPTION	FINISH	PART #	LIST PRICE
TRADITIONAL SERIES LVH610	EverHot Lead Free Hot Only Water Dispenser	FAUCET & EVERHOT TANK		
HOT ONLY	Shipping Wt: 10 lbs.	CHROME	WI-LVH610H-CH	\$675.95
WITH J-SPOUT	Traditional design • locking lever option for filling pitchers and pots • built in aerator	COLOR		
	Includes faucet, EverHot tank, 3' cord, & tubing.	BISCUIT	WI-LVH610H-BS	\$691.95
	Certified to NSF/ANSI Standard 61 and California Proposition 65.	BLACK	WI-LVH610H-BK	\$691.95
FAUCET ONLY	Shipping Wt: 3 lbs.	WHITE	WI-LVH610H-WH	\$691.95
		SPECIAL		
		POLISHED NICKEL	WI-LVH610H-PN	\$744.95
		SATIN CHROME	WI-LVH610H-SC	\$744.95
		SATIN NICKEL	WI-LVH610H-SN	\$744.95
		PREMIUM		
		OIL RUBBED BRONZE	WI-LVH610H-ORB	\$787.95
		POLISHED BRASS-PVD	WI-LVH610H-PB	\$787.95
		STAINLESS STEEL	WI-LVH610H-SS	\$787.95
		VENETIAN BRONZE	WI-LVH610H-VB	\$787.95

Dimensions:
 Height: 9"
 Reach: 5"
 Spout Diameter: 1/2"
 Hole Size Required: 1-1/4"



FAUCET ONLY				
CHROME	WI-FA610H-CH			\$354.95
COLOR				
BISCUIT	WI-FA610H-BS			\$370.95
BLACK	WI-FA610H-BK			\$370.95
WHITE	WI-FA610H-WH			\$370.95
SPECIAL				
POLISHED NICKEL	WI-FA610H-PN			\$423.95
SATIN CHROME	WI-FA610H-SC			\$423.95
SATIN NICKEL	WI-FA610H-SN			\$423.95
PREMIUM				
OIL RUBBED BRONZE	WI-FA610H-ORB			\$474.95
POLISHED BRASS-PVD	WI-FA610H-PB			\$474.95
STAINLESS STEEL	WI-FA610H-SS			\$474.95
VENETIAN BRONZE	WI-FA610H-VB			\$474.95

Please call for pricing on any Finish/Faucet combinations not listed.

UPGRADE SYSTEM TO A STAINLESS STEEL TANK FOR \$100.
 Add **-SS** to end of part number
 (see pg. 76 for tank specs)



Meets no lead standards for CA AB 1953 and VT Act 193.

The Everhot mark is used under license from Bradford White Corp.

MAXIMUM recommended line pressure for this product is 75 PSI. Pressure above 75 PSI indicates the absence of a properly functioning water pressure regulator at the property. Excessive water pressure poses a risk of property damage to you. Problems due to excessive water pressure are NOT covered by this product's warranty. **BEFORE** installation of any Water, Inc. product, confirm that water supply pressure does not exceed 75 PSI. Questions? Contact Water, Inc. Service Dept. at 800.322.WATER(9283)