

MODEL	DESCRIPTION	FINISH	PART #	LIST PRICE
-------	-------------	--------	--------	------------

**ELITE SERIES
LVH510**

EverHot Lead Free Hot/Cold Water Dispenser

Shipping Wt: 10 lbs.

HOT/COLD

Includes faucet, EverHot tank, 3' cord, & tubing.

**WITH
J-SPOUT**

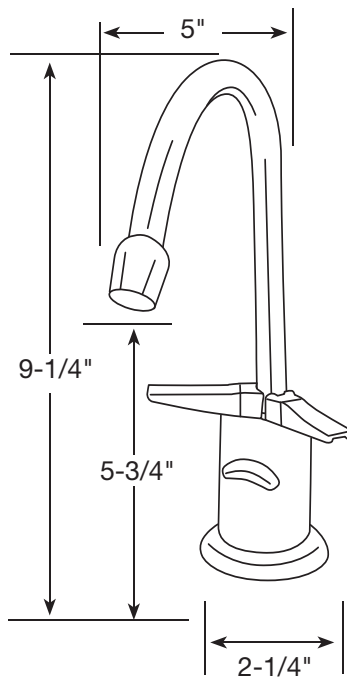
Certified to NSF/ANSI Standard 61 and California Proposition 65.

Chiller sold separately (see EverCold, page 78).

FAUCET ONLY

Shipping Wt: 3 lbs.

Dimensions:
 Height: 9-1/4"
 Reach: 5"
 Spout Diameter: 1/2"
 Hole Size Required: 1-1/4"



Meets no lead standards for CA AB 1953 and VT Act 193.

FAUCET & EVERHOT TANK

CHROME	WI-LVH510HC-CH	\$714.95
COLOR		
BISCUIT	WI-LVH510HC-BS	\$725.95
BLACK	WI-LVH510HC-BK	\$725.95
WHITE	WI-LVH510HC-WH	\$725.95
SPECIAL		
POLISHED NICKEL	WI-LVH510HC-PN	\$788.95
SATIN CHROME	WI-LVH510HC-SC	\$788.95
SATIN NICKEL	WI-LVH510HC-SN	\$788.95
PREMIUM		
ANTIQUÉ BRASS	WI-LVH510HC-AB	\$835.95
ANTIQUÉ COPPER	WI-LVH510HC-AC	\$835.95
OIL RUBBED BRONZE	WI-LVH510HC-ORB	\$835.95
POLISHED BRASS-PVD	WI-LVH510HC-PB	\$835.95
POLISHED COPPER	WI-LVH510HC-COP	\$835.95
STAINLESS STEEL	WI-LVH510HC-SS	\$835.95
WEATHERED BRASS	WI-LVH510HC-WB	\$835.95
WEATHERED COPPER	WI-LVH510HC-WC	\$835.95
PREMIUM PLUS		
GOLD	WI-LVH510HC-GOLD	\$1,429.95
SATIN GOLD	WI-LVH510HC-SG	\$1,429.95

FAUCET ONLY

CHROME	WI-FA510HC-CH	\$393.95
COLOR		
BISCUIT	WI-FA510HC-BS	\$404.95
BLACK	WI-FA510HC-BK	\$404.95
WHITE	WI-FA510HC-WH	\$404.95
SPECIAL		
POLISHED NICKEL	WI-FA510HC-PN	\$467.95
SATIN CHROME	WI-FA510HC-SC	\$467.95
SATIN NICKEL	WI-FA510HC-SN	\$467.95
PREMIUM		
ANTIQUÉ BRASS	WI-FA510HC-AB	\$514.95
ANTIQUÉ COPPER	WI-FA510HC-AC	\$514.95
OIL RUBBED BRONZE	WI-FA510HC-ORB	\$514.95
POLISHED BRASS-PVD	WI-FA510HC-PB	\$514.95
POLISHED COPPER	WI-FA510HC-COP	\$514.95
STAINLESS STEEL	WI-FA510HC-SS	\$514.95
WEATHERED BRASS	WI-FA510HC-WB	\$514.95
WEATHERED COPPER	WI-FA510HC-WC	\$514.95
PREMIUM PLUS		
GOLD	WI-FA510HC-GOLD	\$1,142.95
SATIN GOLD	WI-FA510HC-SG	\$1,142.95

Please call for pricing on any Finish/Faucet combinations not listed.

For use with reverse osmosis systems, use Air Gap Module shown on page 66.

UPGRADE SYSTEM TO A STAINLESS STEEL TANK FOR \$100.

Add -SS to end of part number
(see pg. 76 for tank specs)

The Everhot mark is used under license from Bradford White Corp.



MAXIMUM recommended line pressure for this product is 75 PSI. Pressure above 75 PSI indicates the absence of a properly functioning water pressure regulator at the property. Excessive water pressure poses a risk of property damage to you. Problems due to excessive water pressure are NOT covered by this product's warranty. **BEFORE** installation of any Water, Inc. product, confirm that water supply pressure does not exceed 75 PSI. Questions? Contact Water, Inc. Service Dept. at 800.322.WATER(9283)