

| MODEL | DESCRIPTION | FINISH | PART # | LIST PRICE |
|-------|-------------|--------|--------|------------|
|-------|-------------|--------|--------|------------|

ELITE SERIES LVH510
HOT ONLY
WITH J-SPOUT
FAUCET ONLY

EverHot Lead Free Hot Only Water Dispenser

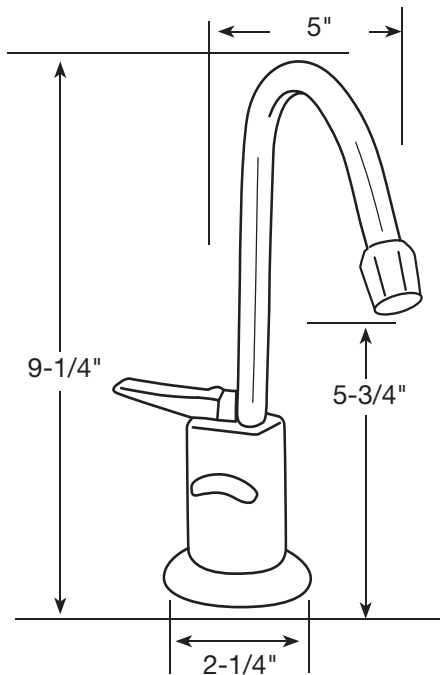
Shipping Wt: 10 lbs.

Includes faucet, EverHot tank, 3' cord, & tubing.

Certified to NSF/ANSI Standard 61 and California Proposition 65.

Shipping Wt: 3 lbs.

Dimensions:
 Height: 9-1/4"
 Reach: 5"
 Spout Diameter: 1/2"
 Hole Size Required: 1-1/4"



| FAUCET & EVERHOT TANK | | |
|-----------------------|----------------|----------|
| CHROME | WI-LVH510H-CH | \$652.95 |
| COLOR | | |
| BISCUIT | WI-LVH510H-BS | \$660.95 |
| BLACK | WI-LVH510H-BK | \$660.95 |
| WHITE | WI-LVH510H-WH | \$660.95 |
| SPECIAL | | |
| POLISHED NICKEL | WI-LVH510H-PN | \$726.95 |
| SATIN CHROME | WI-LVH510H-SC | \$726.95 |
| SATIN NICKEL | WI-LVH510H-SN | \$726.95 |
| PREMIUM | | |
| OIL RUBBED BRONZE | WI-LVH510H-ORB | \$782.95 |
| POLISHED BRASS-PVD | WI-LVH510H-PB | \$782.95 |
| STAINLESS STEEL | WI-LVH510H-SS | \$782.95 |

| FAUCET ONLY | | |
|--------------------|---------------|----------|
| CHROME | WI-FA510H-CH | \$331.95 |
| COLOR | | |
| BISCUIT | WI-FA510H-BS | \$339.95 |
| BLACK | WI-FA510H-BK | \$339.95 |
| WHITE | WI-FA510H-WH | \$339.95 |
| SPECIAL | | |
| POLISHED NICKEL | WI-FA510H-PN | \$405.95 |
| SATIN CHROME | WI-FA510H-SC | \$405.95 |
| SATIN NICKEL | WI-FA510H-SN | \$405.95 |
| PREMIUM | | |
| OIL RUBBED BRONZE | WI-FA510H-ORB | \$461.95 |
| POLISHED BRASS-PVD | WI-FA510H-PB | \$461.95 |
| STAINLESS STEEL | WI-FA510H-SS | \$461.95 |

Please call for pricing on any Finish/Faucet combinations not listed.

UPGRADE SYSTEM TO A STAINLESS STEEL TANK FOR \$100.
 Add **-SS** to end of part number
 (see pg. 76 for tank specs)



Meets no lead standards for CA AB 1953 and VT Act 193.

The Everhot mark is used under license from Bradford White Corp.

MAXIMUM recommended line pressure for this product is 75 PSI. Pressure above 75 PSI indicates the absence of a properly functioning water pressure regulator at the property. Excessive water pressure poses a risk of property damage to you. Problems due to excessive water pressure are NOT covered by this product's warranty. **BEFORE** installation of any Water, Inc. product, confirm that water supply pressure does not exceed 75 PSI. Questions? Contact Water, Inc. Service Dept. at 800.322.WATER(9283)