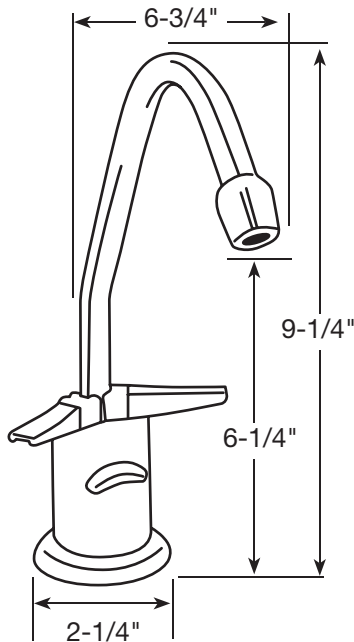


MODEL	DESCRIPTION	FINISH	PART #	LIST PRICE
<b>ELITE SERIES LVH500</b>	EverHot Lead Free Hot/Cold Water Dispenser	<b>FAUCET &amp; EVERHOT TANK</b>		
	Shipping Wt: 10 lbs.	CHROME	WI-LVH500HC-CH	\$714.95
<b>HOT/COLD</b>		COLOR		
	Includes faucet, EverHot tank, 3' cord, & tubing.	BISCUIT	WI-LVH500HC-BS	\$720.95
<b>WITH LONG REACH SPOUT</b>		BLACK	WI-LVH500HC-BK	\$720.95
	Certified to NSF/ANSI Standard 61 and California Proposition 65.	WHITE	WI-LVH500HC-WH	\$720.95
	Chiller sold separately (see EverCold, page 78).	SPECIAL		
		POLISHED NICKEL	WI-LVH500HC-PN	\$788.95
		SATIN CHROME	WI-LVH500HC-SC	\$788.95
		SATIN NICKEL	WI-LVH500HC-SN	\$788.95
<b>FAUCET ONLY</b>	Shipping Wt: 3 lbs.	PREMIUM		
		ANTIQUE BRASS	WI-LVH500HC-AB	\$835.95
		ANTIQUE COPPER	WI-LVH500HC-AC	\$835.95
		OIL RUBBED BRONZE	WI-LVH500HC-ORB	\$835.95
		POLISHED BRASS-PVD	WI-LVH500HC-PB	\$835.95
		POLISHED COPPER	WI-LVH500HC-COP	\$835.95
		STAINLESS STEEL	WI-LVH500HC-SS	\$835.95
		WEATHERED BRASS	WI-LVH500HC-WB	\$835.95
		WEATHERED COPPER	WI-LVH500HC-WC	\$835.95
		PREMIUM PLUS		
		GOLD	WI-LVH500HC-GOLD	\$1,429.95
		SATIN GOLD	WI-LVH500HC-SG	\$1,429.95

**Dimensions:**  
 Height: 9-1/4"  
 Reach: 6-3/4"  
 Spout Diameter: 1/2"  
 Hole Size Required: 1-1/4"



Meets no lead standards for CA AB 1953 and VT Act 193.

**FAUCET ONLY**

CHROME	WI-FA500HC-CH	\$393.95
COLOR		
BISCUIT	WI-FA500HC-BS	\$399.95
BLACK	WI-FA500HC-BK	\$399.95
WHITE	WI-FA500HC-WH	\$399.95
SPECIAL		
POLISHED NICKEL	WI-FA500HC-PN	\$467.95
SATIN CHROME	WI-FA500HC-SC	\$467.95
SATIN NICKEL	WI-FA500HC-SN	\$467.95
PREMIUM		
ANTIQUE BRASS	WI-FA500HC-AB	\$514.95
ANTIQUE COPPER	WI-FA500HC-AC	\$514.95
OIL RUBBED BRONZE	WI-FA500HC-ORB	\$514.95
POLISHED BRASS-PVD	WI-FA500HC-PB	\$514.95
POLISHED COPPER	WI-FA500HC-COP	\$514.95
STAINLESS STEEL	WI-FA500HC-SS	\$514.95
WEATHERED BRASS	WI-FA500HC-WB	\$514.95
WEATHERED COPPER	WI-FA500HC-WC	\$514.95
PREMIUM PLUS		
GOLD	WI-FA500HC-GOLD	\$1,142.95
SATIN GOLD	WI-FA500HC-SG	\$1,142.95

Please call for pricing on any Finish/Faucet combinations not listed.

For use with reverse osmosis systems, use Air Gap Module shown on page 66.

**UPGRADE SYSTEM TO A STAINLESS STEEL TANK FOR \$100.**

Add **-SS** to end of part number  
(see pg. 76 for tank specs)

The Everhot mark is used under license from Bradford White Corp.



**MAXIMUM recommended line pressure for this product is 75 PSI.** Pressure above 75 PSI indicates the absence of a properly functioning water pressure regulator at the property. Excessive water pressure poses a risk of property damage to you. Problems due to excessive water pressure are NOT covered by this product's warranty. **BEFORE** installation of any Water, Inc. product, confirm that water supply pressure does not exceed 75 PSI. Questions? Contact Water, Inc. Service Depart. at 800.322.WATER(9283)