

| MODEL | DESCRIPTION | FINISH | PART # | LIST PRICE |
|-------|-------------|--------|--------|------------|
|-------|-------------|--------|--------|------------|

DISTINCTIVE SERIES EverHot Lead Free Hot/Cold Water Dispenser
LVH1200

HOT/COLD

Shipping Wt: 12 lbs.

Includes faucet, EverHot tank, 3' cord & tubing.

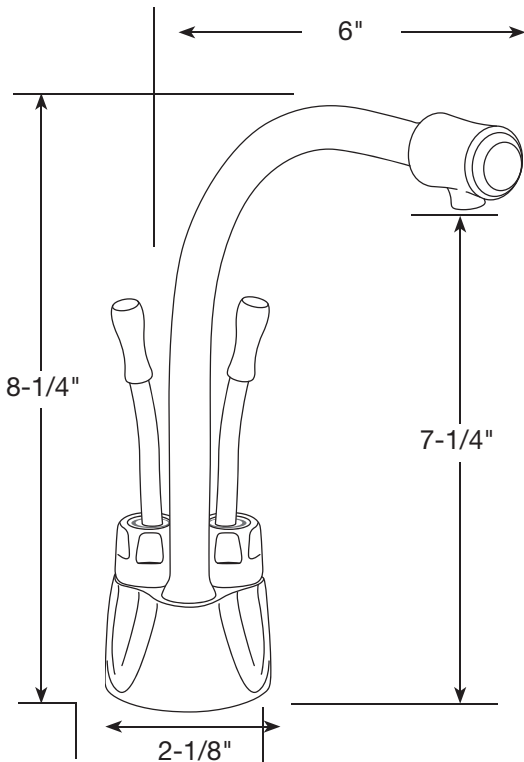
Distinctive series • **adjustable flow control with spring activated shut-off for filling pitchers and pots** • built-in aerator

Certified to NSF/ANSI Standard 61 and California Proposition 65.

Chiller sold separately (see EverCold, page 78).

FAUCET ONLY Shipping Wt: 5 lbs.

Dimensions:
 Height: 8-1/4"
 Reach: 6"
 Spout Diameter: 1/2"
 Hole Size Required: 1-1/4"



| FAUCET & EVERHOT TANK | | |
|-----------------------|------------------|----------|
| CHROME | WI-LVH1200HC-CH | \$671.95 |
| SATIN NICKEL-PVD | WI-LVH1200HC-SN | \$744.95 |
| SPECIAL* | WI-LVH1200HC-___ | \$788.95 |

*SPECIAL = any sigma finish except precious metal (silver & gold)
 SEE CUSTOM FINISH INFO ON PAGE 87 FOR EXAMPLES.
 Allow 6 to 8 weeks for delivery.

| FAUCET ONLY | | |
|------------------|-----------------|----------|
| CHROME | WI-FA1200HC-CH | \$416.95 |
| SATIN NICKEL-PVD | WI-FA1200HC-SN | \$438.95 |
| SPECIAL* | WI-FA1200HC-___ | \$516.95 |

*SPECIAL = any sigma finish except precious metal (silver & gold)
 SEE CUSTOM FINISH INFO ON PAGE 87 FOR EXAMPLES.
 Allow 6 to 8 weeks for delivery.

A separate air gap is available for reverse osmosis on this model. See pages 79 and 80.

UPGRADE SYSTEM TO A STAINLESS STEEL TANK FOR \$100.
 Add **-SS** to end of part number
 (see pg. 76 for tank specs)



Meets no lead standards for CA AB 1953 and VT Act 193.

The Everhot mark is used under license from Bradford White Corp.

MAXIMUM recommended line pressure for this product is 75 PSI. Pressure above 75 PSI indicates the absence of a properly functioning water pressure regulator at the property. Excessive water pressure poses a risk of property damage to you. Problems due to excessive water pressure are NOT covered by this product's warranty. **BEFORE** installation of any Water, Inc. product, confirm that water supply pressure does not exceed 75 PSI. Questions? Contact Water, Inc. Service Dept. at 800.322.WATER(9283)