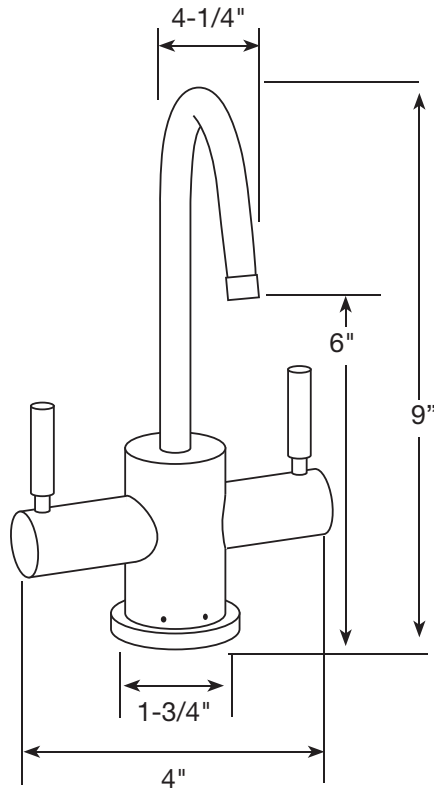


MODEL	DESCRIPTION	FINISH	PART #	LIST PRICE
HORIZON SERIES LVH1120	EverHot Lead Free Hot/Cold Water Dispenser	FAUCET & EVERHOT TANK		
HOT/COLD	Shipping Wt: 12 lbs.	CHROME	WI-LVH1120HC-CH	\$715.95
	Includes faucet, EverHot tank, 3' cord & tubing.	SATIN NICKEL-PVD	WI-LVH1120HC-SN	\$809.95
	Horizon series • adjustable flow control with 1/4 turn ceramic disc valve for filling pitchers and pots • swivel spout • built-in aerator	SPECIAL*	WI-LVH1120HC-__	\$946.95
	Certified to NSF/ANSI Standard 61 and California Proposition 65.	*SPECIAL = any sigma finish except precious metal (silver & gold) SEE CUSTOM FINISH INFO ON PAGE 87 FOR EXAMPLES. Allow 6 to 8 weeks for delivery.		
	Chiller sold separately (see EverCold, page 78).	FAUCET ONLY		
FAUCET ONLY	Shipping Wt: 5 lbs.	CHROME	WI-FA1120HC-CH	\$380.95
		SATIN NICKEL-PVD	WI-FA1120HC-SN	\$484.95
		SPECIAL*	WI-FA1120HC-__	\$760.95
		*SPECIAL = any sigma finish except precious metal (silver & gold) SEE CUSTOM FINISH INFO ON PAGE 87 FOR EXAMPLES. Allow 6 to 8 weeks for delivery.		

Dimensions:
 Height: 9"
 Reach: 4-1/4"
 Spout Diameter: 1/2"
 Hole Size Required: 1-1/4"



**NEW!
SLIMMER
WIDTH**

A separate air gap is available for reverse osmosis on this model. See pages 79 and 80.

UPGRADE SYSTEM TO A STAINLESS STEEL TANK FOR \$100.
 Add **-SS** to end of part number
 (see pg. 76 for tank specs)



Meets no lead standards for CA AB 1953 and VT Act 193.

The Everhot mark is used under license from Bradford White Corp.



MAXIMUM recommended line pressure for this product is 75 PSI. Pressure above 75 PSI indicates the absence of a properly functioning water pressure regulator at the property. Excessive water pressure poses a risk of property damage to you. Problems due to excessive water pressure are NOT covered by this product's warranty. **BEFORE** installation of any Water, Inc. product, confirm that water supply pressure does not exceed 75 PSI. Questions? Contact Water, Inc. Service Dept. at 800.322.WATER(9283)