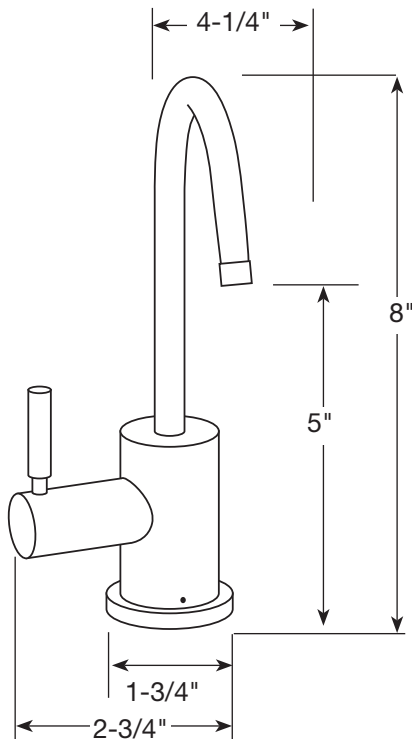


MODEL	DESCRIPTION	FINISH	PART #	LIST PRICE
<b>HORIZON SERIES LVH1120</b>	EverHot Lead Free Hot Only Water Dispenser	<b>FAUCET &amp; EVERHOT TANK</b>		
	Shipping Wt: 12 lbs.	CHROME	WI-LVH1120H-CH	\$509.95
<b>HOT ONLY</b>	Includes faucet, EverHot tank, 3' cord & tubing.  Horizon series • <b>adjustable flow control with 1/4 turn ceramic disc valve for filling pitchers and pots</b> • swivel spout • built-in aerator  Certified to NSF/ANSI Standard 61 and California Proposition 65.	SATIN NICKEL-PVD	WI-LVH1120H-SN	\$553.95
		SPECIAL*	WI-LVH1120H-__	\$956.95
		*SPECIAL = any sigma finish except precious metal (silver & gold) SEE CUSTOM FINISH INFO ON PAGE 94 FOR EXAMPLES. Allow 6 to 8 weeks for delivery.		
<b>FAUCET ONLY</b>	Shipping Wt: 5 lbs.	<b>FAUCET ONLY</b>		
		CHROME	WI-FA1120H-CH	\$372.95
		SATIN NICKEL-PVD	WI-FA1120H-SN	\$376.95
		SPECIAL*	WI-FA1120H-__	\$620.95
		*SPECIAL = any sigma finish except precious metal (silver & gold) SEE CUSTOM FINISH INFO ON PAGE 94 FOR EXAMPLES. Allow 6 to 8 weeks for delivery.		

**Dimensions:**  
Height: 8"  
Reach: 4-1/4"  
Spout Diameter: 1/2"  
Hole Size Required: 1-1/4"



**NEW!  
SLIMMER  
WIDTH**

A separate air gap is available for reverse osmosis on this model. See pages 86 and 87.

**UPGRADE SYSTEM TO A  
STAINLESS STEEL TANK  
FOR \$100.**  
Add **-SS** to end of part number



Meets no lead standards for CA AB 1953 and VT Act 193.

The Everhot mark is used under license from Bradford White Corp.



**MAXIMUM recommended line pressure for this product is 75 PSI.** Pressure above 75 PSI indicates the absence of a properly functioning water pressure regulator at the property. Excessive water pressure poses a risk of property damage to you. Problems due to excessive water pressure are NOT covered by this product's warranty. **BEFORE** installation of any Water, Inc. product, confirm that water supply pressure does not exceed 75 PSI. Questions? Contact Water, Inc. Service Dept. at 800.322.WATER(9283)