



MODEL	DESCRIPTION	FINISH	PART #	LIST PRICE
-------	-------------	--------	--------	------------

**HORIZON SERIES  
1120**

**COLD ONLY**

HORIZON Lead Free Accessory Faucet For Filter

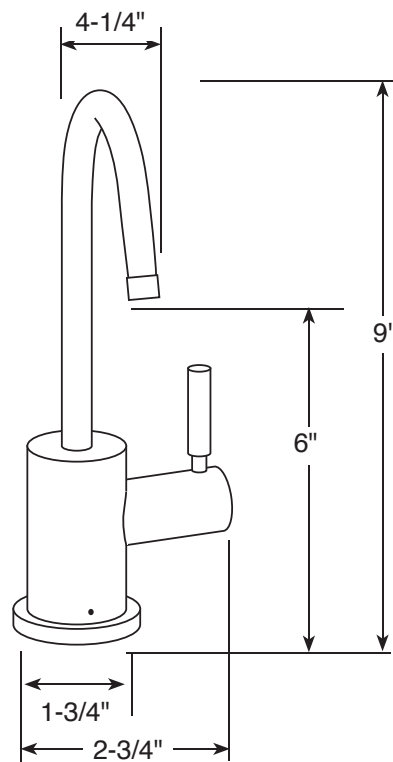
Shipping Wt: 3 lbs.

Timeless design matches any décor ·  
**adjustable flow control with 1/4 turn ceramic disc valve for filling pitchers and pots** ·  
solid brass construction · swivel spout

Certified to NSF/ANSI Standard 61 and California Proposition 65.

Chiller sold separately (see EverCold, page 78).

**Dimensions:**  
Height: 9"  
Reach: 4-1/4"  
Spout Diameter: 3/8"  
Hole Size Required: 1/2"



**NEW!  
SLIMMER  
WIDTH**



Meets no lead standards for CA AB 1953 and VT Act 193.

**MAXIMUM recommended line pressure for this product is 75 PSI.** Pressure above 75 PSI indicates the absence of a properly functioning water pressure regulator at the property. Excessive water pressure poses a risk of property damage to you. Problems due to excessive water pressure are NOT covered by this product's warranty. **BEFORE** installation of any Water, Inc. product, **confirm that water supply pressure does not exceed 75 PSI.** Questions? Contact Water, Inc. Service Dept. at 800.322.WATER(9283)

<b>FAUCET KIT</b>	Part # WI-FAUCET-KIT	Shipping Wt: 2 lbs.	\$28.95
-------------------	----------------------	---------------------	---------

Compatible with this Water, Inc. faucet. Includes a JG 1/4 x 7/16 - 24UNS Speedfit connector, angle stop valve, teflon tape, six feet of 1/4" OD tubing, and installation instructions.