

RSFC 426 60.40 Specifications

Farmhouse Kitchen Sink

GENERAL

Fine quality sink bowl formed of 16 gauge BA 304 18/10 nickel bearing stainless steel.

DESIGN FEATURES

Bowl Depth: 10"

Finish: Soft Satin Finish

Underside: Sound absorbing pads and special paint applied to dampen sound

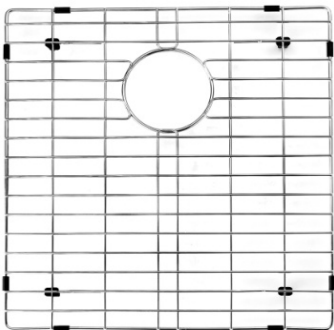
Drain Opening: 3-1/2"



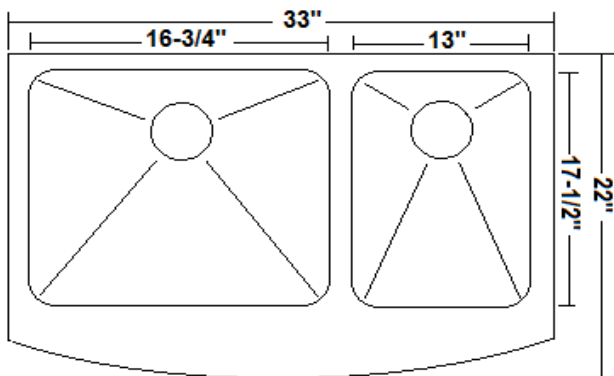
SUGGESTED ACCESSORIES

Stainless Steel Bottom Grid **GRS 426 SS ; GRS 330 SS**

Hardwood Cutting Board **CB 426**



SINK DIMENSIONS (INCHES)



Minimum Cabinet Size
Ship Weight

36"
40 lbs.

*Template and countertop mounting clips are packed with every sink



Our Sinks comply with ASME A.112.19.3
These sinks are listed by the International Association of Plumbing and Mechanical Officials as meeting the requirements of the Uniform Plumbing Code.