

Ethos™ Design NI Widespread Lavatory Faucet

FEATURES

- Durable brass construction
- Washerless ceramic disk valve cartridge
- Accommodates 8" -16" spread
- Metal pop-up waste assembly

COLORS/FINISHES

- #CP Polished Chrome



CODES/STANDARDS

- Meets or exceeds ASME A112.18.1/CSA B125.1, NSF 61-9
- Certifications: IAPMO(cUPC), State of Massachusetts, City of Los Angeles, and others
- Code Compliance: UPC, IPC, NSPC, NPC Canada, and others



PRODUCT SPECIFICATION

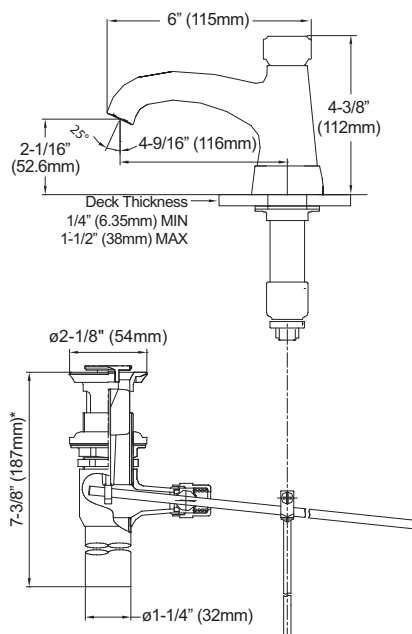
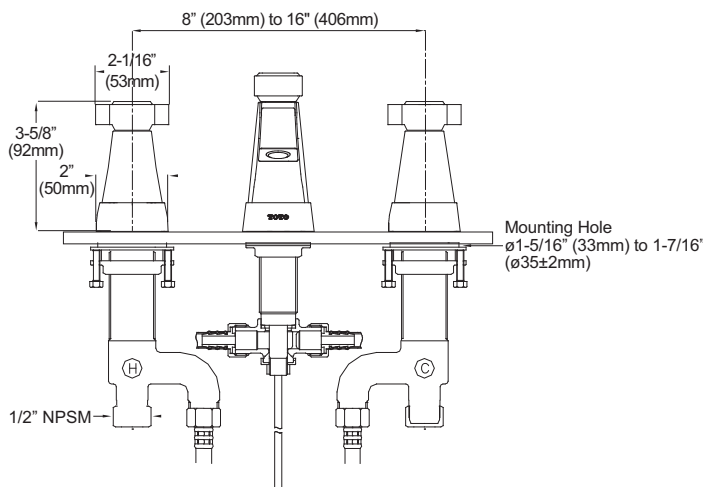
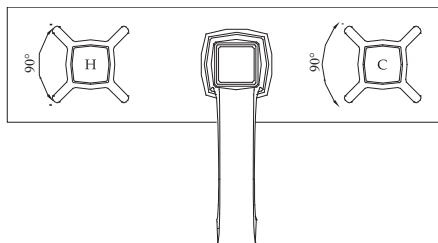
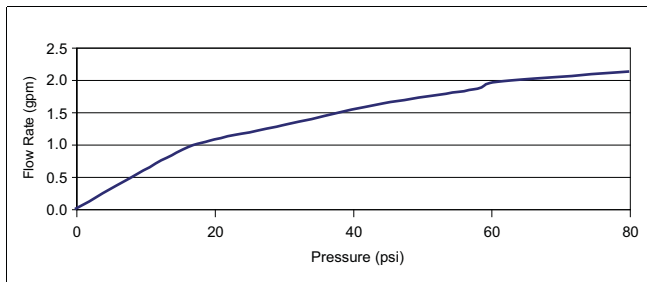
The two-handle lavatory faucet shall have durable brass construction and a washerless ceramic disk valve cartridge. Product shall be for 8 to 16 inch installations. Shall also include pop-up drain. Product shall be TOTO Model TL670DD____.

TL670DD

Ethos™ Design NI Widespread Lavatory Faucet

SPECIFICATIONS

- Warranty: Lifetime Limited Warranty (Residential Use)
One Year (Commercial Use)
- Material: Brass
- Shipping Weight: 12.8 lbs.
- Shipping Dimensions: 21-1/4" L x 10" W x 3-3/4" H
- Maximum Flow Rate: 2.2 gpm (8.3 lpm)



*indicates suggested dimension



These dimensions and specifications are subject to change without notice