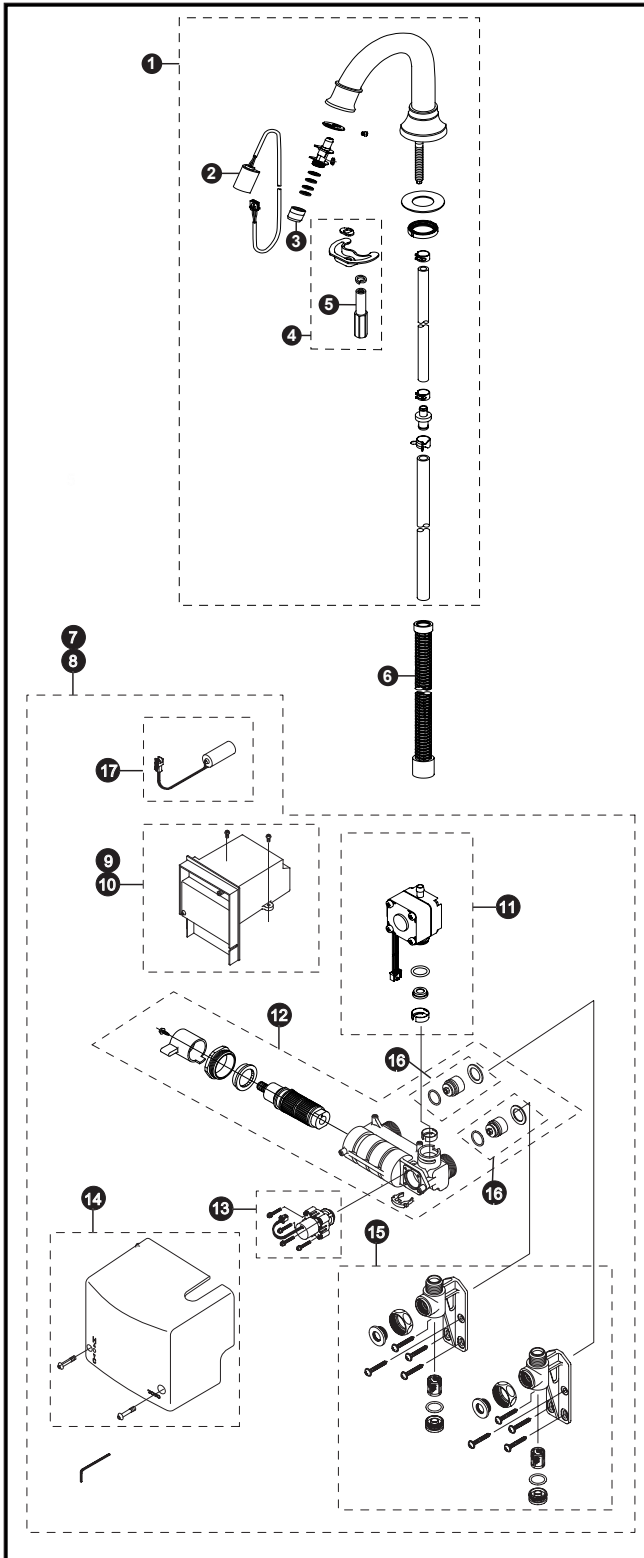


TEL5GT10/60#CP

TEL5GT10#CP
 TEL5GT60#CP
 TEN12AWV200N (Spout)
 TN78-10V510 (TEL5GT10#CP Dynamo)
 TN78-10V560 (TEL5GT60#CP Dynamo)

Sensor Faucet, Fordham™ Spout Self-Generating EcoPower® System Thermal Mixing, 1.0 GPM



Item	Part	Description
1	TEN12AWV200N	Spout Assembly (Without Flexible Tube)
2	TH559EDV436	Sensor
3	TH559EDV566	Nozzle Assembly Set
4	TH559EDV402R	Spout Mounting Kit
5	TH559EDV403R	Spout Nut
6	THU3023	Flexible tube
7	TN78-10V510	Dynamo Assembly (TEL5GT10#CP)
8	TN78-10V560	Dynamo Assembly (TEL5GT60#CP)
9	TH559EDV560	Thermal Dynamo Control Unit 10 sec.
10	TH559EDV467	Thermal Dynamo Control Unit 60 sec.
11	TH559EDV561	Dynamo Hydropower Generator
12	TH559EDV469	Thermal Mixing Valve
13	TH559EDV470	Solenoid & Diaphragm Assembly
14	TH559EDV471	Control Cover Set
15	TH559EDV429R	Mounting Bracket Set
16	TH559EDV472	Check Valve
17	TH559EDV410R	Back Up Battery
18	TN71V100S	Cover Plate - 4"
19	71244T8CC	Cover Plate - 8"

Product Number Explanations

Faucet
 (T) Fitting
 (E) Electronic
 (L) Lavatory
 (5) Thermal Mixing
 (G) Generator Type
 (T) Fordham Spout
 (10) 10 Second
 (60) 60 Second
 (#CP) Chrome Finish