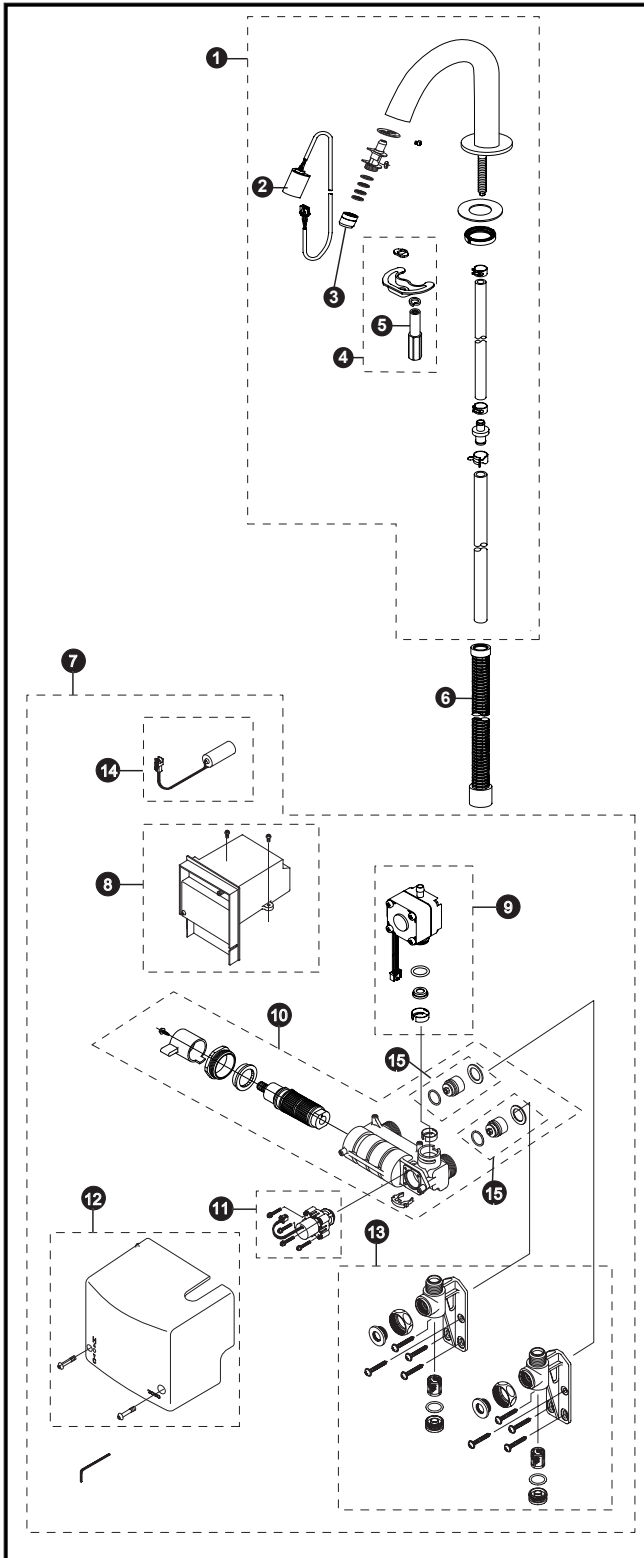


# TEL5GC10/60#CP

TEL5GC10#CP  
 TEL5GC60#CP  
 TEN12AWV100N (Spout)  
 TN78-10V510 (TEL5GC10#CP Dynamo)  
 TN78-10V560 (TEL5GC60#CP Dynamo)

## Sensor Faucet, Helix™ Spout Self-Generating EcoPower® System Thermal Mixing, 1.0GPM



Item	Part	Description
1	TEN12AWV100N	Spout Assembly (Without Flexible Tube)
2	TH559EDV436	Sensor
3	TH559EDV566	Nozzle Assembly Set
4	TH559EDV402R	Spout Mounting Kit
5	TH559EDV403R	Spout Nut
6	THU3023	Flexible tube
7	TN78-10V510	Dynamo Assembly (TEL5GC10#CP)
	TN78-10V560	Dynamo Assembly (TEL5GC60#CP)
8	TH559EDV560	Thermal Dynamo Control Unit 10 sec.
	TH559EDV467	Thermal Dynamo Control Unit 60 sec.
9	TH559EDV561	Dynamo Hydropower Generator
10	TH559EDV469	Thermal Mixing Valve
11	TH559EDV470	Solenoid & Diaphragm Assembly
12	TH559EDV471	Control Cover Set
13	TH559EDV429R	Mounting Bracket Set
14	TH559EDV410R	Back-Up Battery
15	TH559EDV472	Check Valve
16	TN71V100S	Cover Plate - 4"
17	71244T8CC	Cover Plate - 8"

### Product Number Explanations

#### Faucet

(T) Fitting  
 (E) Electronic  
 (L) Lavatory  
 (5) Thermal Mixing  
 (G) Generator Type  
 (C) Helix Spout  
 (10) 10 Second  
 (60) 60 Second  
 (#CP) Chrome Finish

