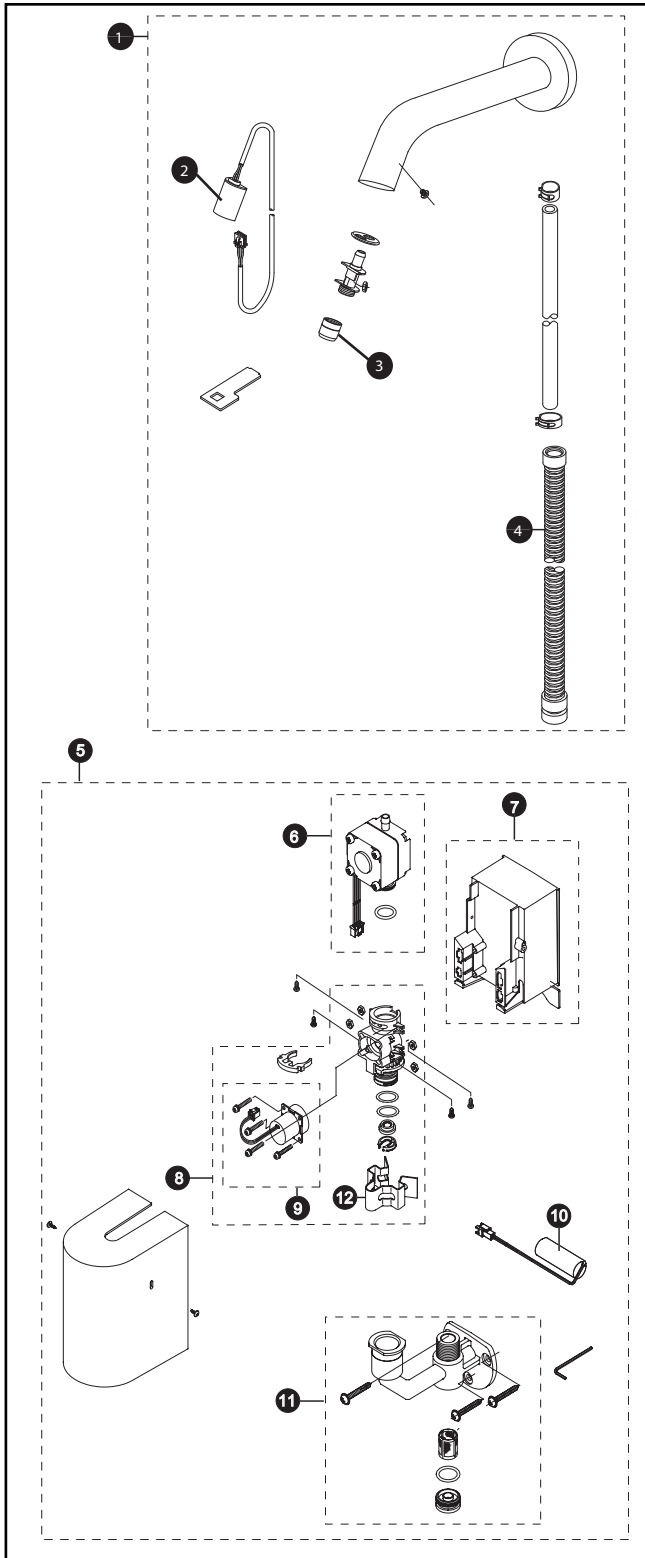


TEL3GW10/60#CP

TEL3GW10#CP
 TEL3GW60#CP
 DLE105A (Spout)
 TN78-9V410 (TEL3GW10#CP Dynamo)
 TN78-9V460R (TEL3GW60#CP Dynamo)

Sensor Faucet, Helix™ Wall Mount Spout Self-Generating EcoPower® System Single Supply, 0.8 GPM



Item	Part	Description
1	DLE105A	Spout Assembly
2	TH559EDV436	Sensor
3	TH559EDV566	Nozzle Assembly Set
4	THU3023	Flexible Tube
5	TN78-9V410	Dynamo Assembly (TEL3GW10#CP)
	TN78-9V460R	Dynamo Assembly (TEL3GW60#CP)
6	TH559EDV462	Dynamo Hydropower Generator
7	TH559EDV559	Single Dynamo Control Unit 10 sec.
	TH559EDV461	Single Dynamo Control Unit 60 sec.
8	TH559EDV463	Valve Assembly Unit
9	TH559EDV464	Solenoid and Diaphragm Assembly
10	TH559EDV410R	Back-Up Battery
11	TH559EDV466R	Mounting Bracket Set
12	TH559EDV255	Metal Clip

Product Number Explanations

Faucet
 (T) Fitting
 (E) Electronic
 (L) Lavatory
 (3) Single Supply
 (G) Generator Type
 (W) Wall Mount
 (10) 10 Second
 (60) 60 Second
 (#CP) Polished Chrome