

FEATURES

- Hydropower self-generating system
- Sensor faucet with laminar flow
- Self adjusting faucet with control box and mounting hardware, less supply lines
- 1/2" water supply male threaded
- NSF compliant
- Single-hole mount

MODELS

- TEL3GK10#CP - Single Supply
Discharge: On-demand; Up to 10 seconds while activated.
- TEL5GK10#CP - Thermal Mixing
Discharge: On-demand; Up to 10 seconds while activated.
Controller/Mixer #: TN78-10V510
- TEL3GK60#CP - Single Supply
Discharge: On-demand; Up to 60 seconds while activated.
- TEL5GK60#CP - Thermal Mixing
Discharge: On-demand; Up to 60 seconds while activated.
Controller/Mixer #: TN78-10V560

COLORS/FINISHES

- #CP Polished Chrome

CODES/STANDARDS

- Exceeds mandatory baseline, 0.20 gallon/cycle, of California Green Building Code, CALGreen, by using TOTO faucets with 10 second cycle
- Meets or exceeds ASME A112.18.1/CSA B125.1, NSF 61-9, and ASSE 1070*
- Certifications: IAPMO(cUPC), ASSE, State of Massachusetts, and others
- Code Compliance: UPC, IPC, NSPC, NPC Canada, and others
- Legislative compliance: California AB 1953 & Vermont S.152, and City of Los Angeles Water Efficiency Ordinance
- ADA compliant



PRODUCT SPECIFICATION

TOTO Model # _____ Automatic infrared sensor activated faucet. Anti-scald, thermal mixing chamber (thermal faucets only). Automatic sensor adjustment on installation. Maximum discharge 0.17 gallons per 10 second cycle. Electrical components separated from spout assembly and sealed in waterproof compartments. All TEL5 series use an ASSE 1070 listed controller module with mixing valve. TOTO faucets with 10 second cycle use 0.17 gallon/cycle which is 15% below CALGreen's baseline.

*Note: ASSE 1070 supersedes ASSE1016 for non-shower point of use devices. Applies to TEL5 series models.

TEL3GK & TEL5GK Series

Axiom® EcoPower® Faucet

SPECIFICATIONS

- **Warranty** Three year warranty
- **Material** Bronze with polished chrome finish
- **Power Supply** Hydropower self-generating system
- **Hot/Cold-water Supply** Minimum required water pressure: 20PSI
Maximum water pressure: 125PSI*
- **Water Supply Connect** 1/2" NPSM
- **Water Consumption** 60 Second Faucet: 1.0 gpm (4.0 lpm)
10 Second Faucet: 0.17 gal. per cycle (max)
- **Water Saving Function** Automatically turns OFF when user removes hands
Maximum continuous run time is 10 or 60 seconds
- **Detection time** ON feature: Immediate
OFF feature: 1 second delay
- **Detection range** Factory set at 2-1/4"
Faucet automatically sets the detection range according to the size of the basin
- **Discharge water temperature control range** Thermal Mixing Faucet: Cold water - 104°F (Max)
(When used under standard conditions)
- **Anti-scald safety feature** Provides the user protection against exposure to excessive water temperature
(Thermal mixing faucet, only)

NOTE

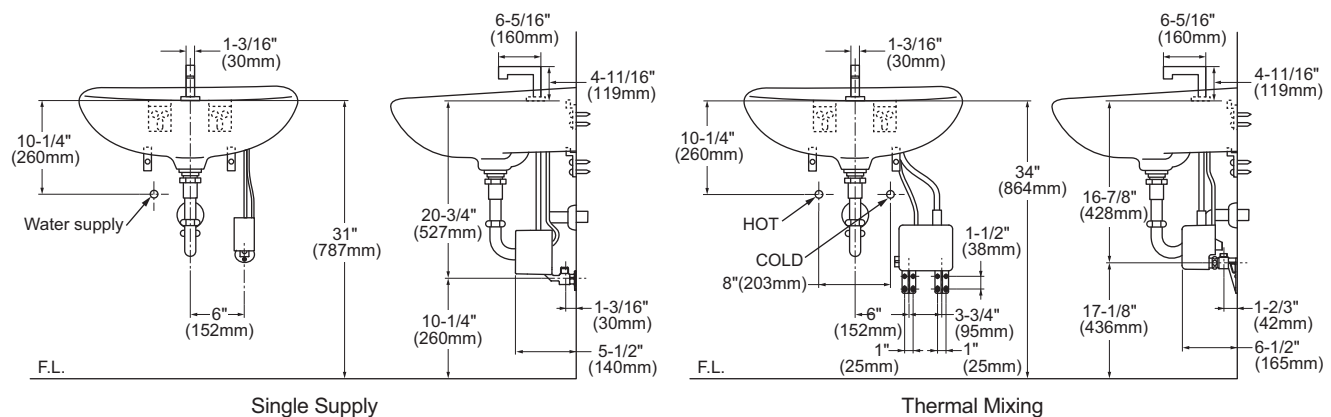
Following the Federal mandate for water efficiency outlined in the Environmental Protection Act of 1992, Faucets can be rated for water consumption based on two categories: flow rate and water consumption.

With the "Water Consumption" standard, a faucet must not use more than 0.25 gallon of water per cycle. The TOTO® faucet with a 10 second cycle uses 0.17 gallon of water. This is a 32% below the base line of 0.25 gallon per cycle.

Furthermore, an innovative design feature incorporated into all TOTO electronic faucets is an "ON-DEMAND" mode. This means that the faucet will only deliver water as needed and will not run the entire duration of its rated cycle - either 10 or 60 seconds. This guarantees additional water savings.

TOTO uses water consumption because it is the most accurate method of measuring water use. This method of measurement can be incorporated into water usage calculations for various efficiency programs. For more information, please consult www.totousa.com

*Water pressures over 80 psi are not recommended for most plumbing fixtures.



Maximum deck thickness 2" (50mm)

TOTO®

These dimensions and specifications are subject to change without notice