

Clayton® Deck-Mount Bath Faucet

FEATURES

- Durable brass construction
- Washerless ceramic disk valve cartridge
- Metal pop-up waste assembly

COLORS/FINISHES

- #CP Polished Chrome
- #BN Brushed Nickel
- #PN Polished Nickel

CODES/STANDARDS

- Meets or exceeds ASME A112.18.1/CSA B125.1
- Certifications: IAPMO(cUPC), State of Massachusetts, City of Los Angeles, and others
- Code Compliance: UPC, IPC, NSPC, NPC Canada, and others
- ADA compliant



PRODUCT SPECIFICATION

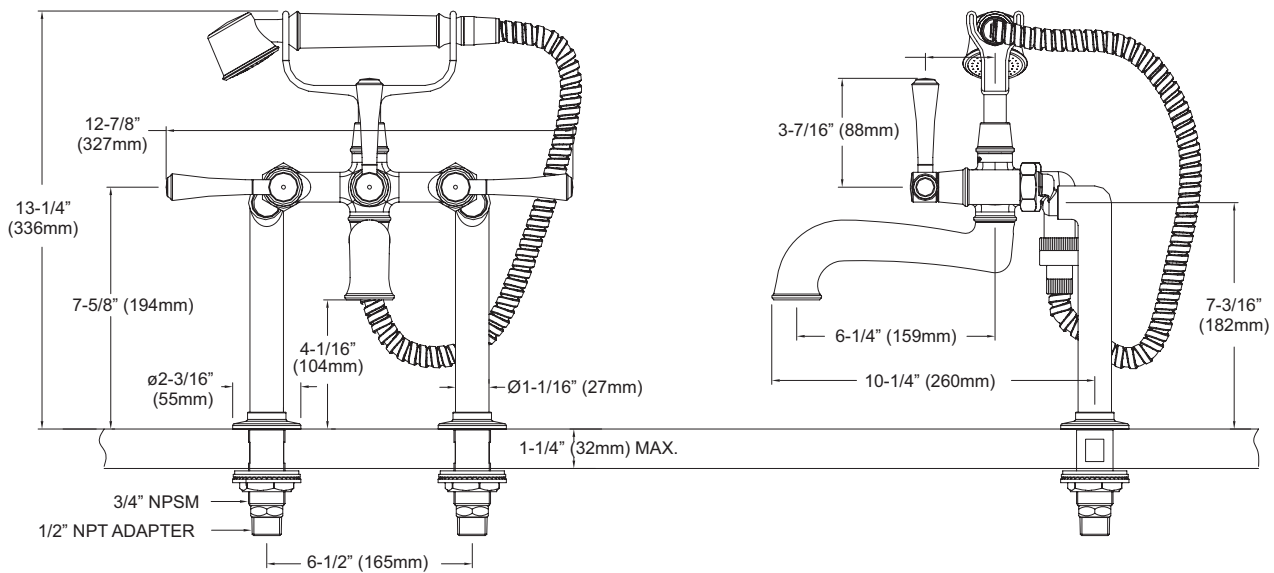
Two-handle deck-mounted tub filler shall feature durable brass construction and thermostatic control. Shall also feature washerless ceramic disk valve cartridges and handshower. Fitting shall be TOTO Model TB784DD_____.

TB784DD

Clayton® Deck-Mount Bath Faucet

SPECIFICATIONS

- Warranty Lifetime Limited Warranty (Residential Use)
One Year (Commercial Use)
- Material Brass
- Shipping Weight 17.5 lbs.
- Shipping Dimensions 12-3/4" L x 10-3/4" W x 10-1/2" H



TOTO®

These dimensions and specifications are subject to change without notice

Ph: (888) 295-8134 | Fax: (800) 699-4889 | www.totousa.com

SS-00067, v.02
Printed in U.S.A. | © TOTO USA 10/09 | Printed on recycled paper ♻️