

TOTO®

MS934214SF

Lloyd® One-Piece Toilet, 1.6GPF

FEATURES

- G-Max® flushing system, (1.6GPF/6.0LPF)
- Universal Height
- Decorative one-piece with skirted design and high-profile tank
- Elongated front bowl with SoftClose® seat (SS214)
Seat and lid gently close with the touch of a hand
- Chrome trip lever
- 12" Unifit rough-in (included), less supply

MODELS

- MS934214SF
SS214 SoftClose seat included
- TSU03W.10 - 10" Unifit rough-in (sold separately)
- TSU03W.14 - 14" Unifit rough-in (sold separately)

COLORS/FINISHES

- Standard
 - #01 Cotton
 - #03 Bone
 - #11 Colonial White
 - #12 Sedona Beige
 - #51 Ebony



GMAX
FLUSHING SYSTEM BY TOTO®

PRODUCT SPECIFICATION

The one-piece low consumption G-Max flushing system toilet shall be 1.6GPF/6.0LPF. Toilet shall be at Universal Height. Toilet shall be of skirted design with high-profile tank, elongated front bowl with SoftClose seat and Chrome trip lever. Toilet shall be TOTO Model MS934214SF _____.

CODES/STANDARDS

- Meets and exceeds ASME A112.19.2/CSA B45.1,
- Certifications: IAPMO(cUPC), State of Massachusetts, City of Los Angeles, and others
- Code compliance: UPC, IPC, NSPC, NPC Canada, and others
- ADA compliant (when installed with trip lever located on the approach side)



MS934214SF

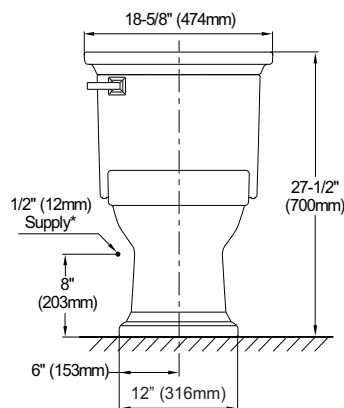
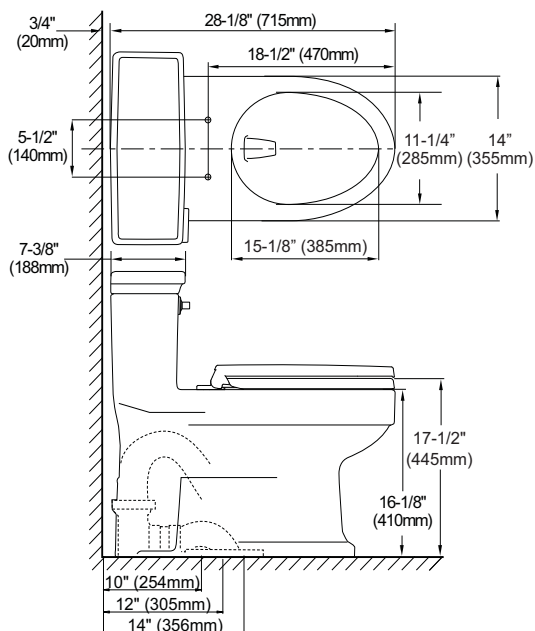
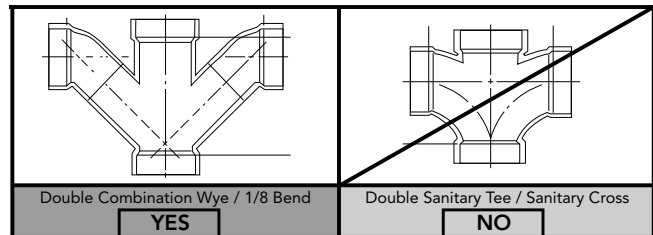
Lloyd® One-Piece Toilet, 1.6GPF

SPECIFICATIONS

- Water Use 1.6 GPF/6.0LPF
- Flush System G-Max®
- Min. Water Pressure 8 psi (static)
- Water Surface 10-3/4" x 8-1/4"
- Trap Diameter 2-1/8"
- Rough-in 12", 10" and 14" optional
- Trap Seal 2-1/4"
- Warranty One Year Limited Warranty
- Material Vitreous china
- Shipping Weight 120 lbs.
- Shipping Dimensions 32" L X 20"W X 17-3/4" H¹
X 28-3/4" H²

INSTALLATION NOTES

Back-to-Back Toilet Installations:
TOTO recommends the use of a nationally listed, double sanitary tee-wye only, in vertical waste stacks, in accordance with the stipulations noted in the majority of nationally recognized plumbing codes.



*Suggested Dimension

TOTO®

These dimensions and specifications are subject to change without notice