

# TOTO®

# MS854114EL(G)(R)

## Eco UltraMax® One-Piece Toilet, ADA Height, 1.28GPF

### FEATURES

- E-Max® flushing system, low consumption (1.28GPF/4.8LPF)
- Optional SanaGloss® ceramic glaze - SanaGloss glaze prevents debris, and mold from sticking to ceramic surfaces, leading to fewer chemicals.
- One-piece decorative toilet with high-profile tank
- Elongated front bowl with SoftClose® seat (SS114)
- 12" Rough-in
- ADA compliant (when installed with trip lever located on the approach side)
- Chrome trip lever

### MODELS

- MS854114ELG  
ADA height toilet with elongated bowl, SanaGloss and SoftClose seat (SS114)
- MS854114EL  
ADA height toilet with elongated bowl and SoftClose seat (SS114)
- MS854114ELR#01  
ADA height toilet with elongated bowl, right hand trip lever and SoftClose seat (SS114)

### COLORS/FINISHES

- Standard
  - #01 Cotton
  - #03 Bone
  - #11 Colonial White
  - #12 Sedona Beige

### PRODUCT SPECIFICATION

The one-piece low consumption E-Max flushing system toilet shall be 1.28GPF/4.8LPF. Toilet shall be of elongated front bowl (MS854) with a high-profile tank and SoftClose seat. Toilet shall be ADA compliant (when installed with trip lever located on the approach side). Toilet shall have chrome trip lever. Toilet shall have optional SanaGloss ceramic glaze. Toilet shall be TOTO Model MS854114EL\_\_\_\_\_.



*SanaGloss*



### CODES/STANDARDS

- Meets and exceeds ASME A112.19.2/CSA B45.1
- Certifications: IAPMO(cUPC), EPA Watersense, State of Massachusetts, City of Los Angeles, and others
- Code compliance: UPC, IPC, NSPC, NPC Canada, and others
- Legislative Compliance: California AB715, California Green Building Code, City of Los Angeles Water Efficiency Ordinance
- ADA compliant (when installed with trip lever located on the approach side)



# MS854114EL(G)

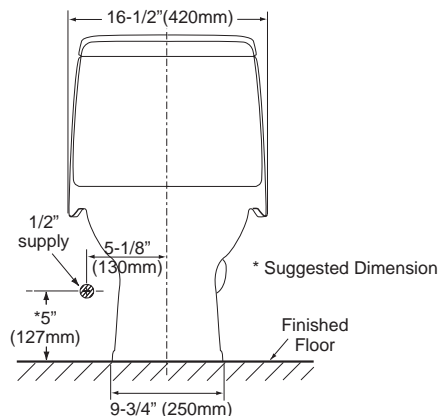
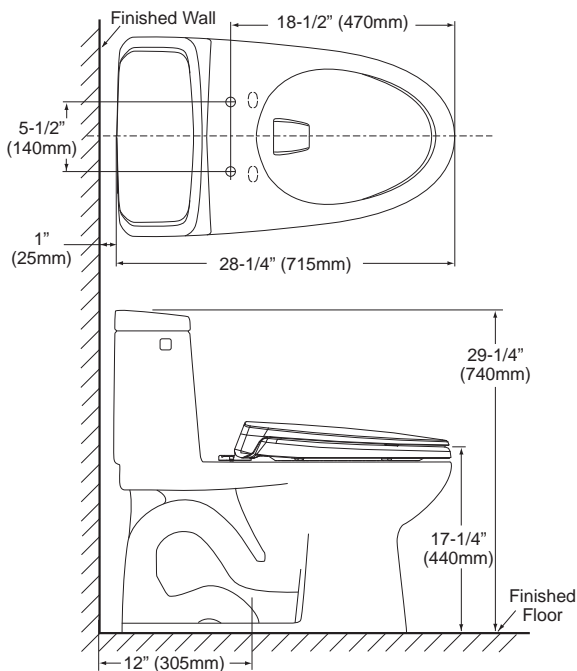
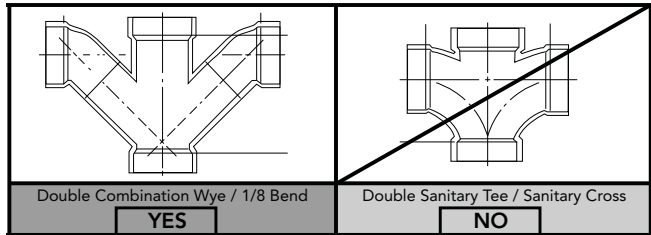
## Eco UltraMax® One-Piece Toilet, ADA Height, 1.28GPF

### SPECIFICATIONS

- Water Use 1.28 GPF/4.8 LPF
- Flush System E-Max®
- Min. Water Pressure 8 psi (static)
- Water Surface 10-1/4" x 8-1/4"
- Trap Diameter 2-1/8"
- Rough-in 12"
- Trap Seal 2-3/8"
- Warranty One Year Limited Warranty
- Material Vitreous china
- Shipping Weight MS854114EL(G) 117 lbs.
- Shipping Dimensions 32" L x 20"W x 17-3/4" H1 x 28-3/4" H2

### INSTALLATION NOTES

Back-to-Back Toilet Installations:  
 TOTO recommends the use of a nationally listed, double sanitary tee-wye only, in vertical waste stacks, in accordance with the stipulations noted in the majority of nationally recognized plumbing codes.



**TOTO**

*These dimensions and specifications are subject to change without notice*