

Nexus® Close Coupled Toilet, 1.6GPF

FEATURES

- G-Max® flushing system, low consumption (1.6GPF/6.0LPF)
- Elongated skirted design
- Universal Height
- Decorative two-piece design with high-profile tank
- Chrome trip lever
- 12" rough-in

MODELS

- CST794SF

COMPONENTS

- CT794EF
Elongated bowl
- ST794S
Tank and cover only
- ST794SR#01
Tank and cover only, right-hand trip lever
- SS204 SoftClose® seat (sold separately)
- SS114 SoftClose® seat (sold separately)
- SS304 SoftClose® maple seat (sold separately)

COLORS/FINISHES

- Standard
 - #01 Cotton
 - #03 Bone
 - #11 Colonial White
 - #12 Sedona Beige
 - #51 Ebony

PRODUCT SPECIFICATION

The two-piece G-Max flushing system toilet shall be 1.6GPF/6.0LPF. Toilet shall be universal height and ADA compliant. Toilet shall have high-profile tank, elongated front bowl and chrome trip lever. Toilet shall be TOTO Model CST794SF ____.



CODES/STANDARDS

- Meets and exceeds ASME A112.19.2/CSA B45.1,
- Certifications: IAPMO(cUPC), State of Massachusetts, City of Los Angeles, and others
- Code compliance: UPC, IPC, NSPC, NPC Canada, and others
- ADA compliant (when installed with trip lever located on the approach side)



CST794SF

Nexus® Close Coupled Toilet, 1.6GPF

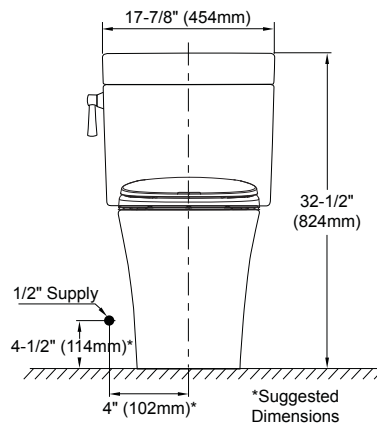
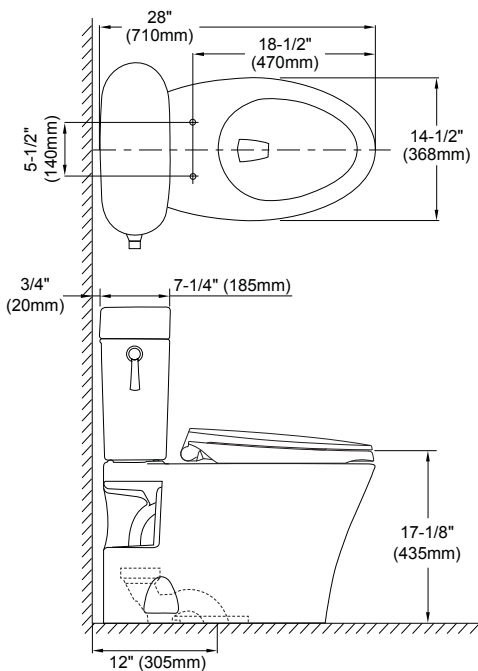
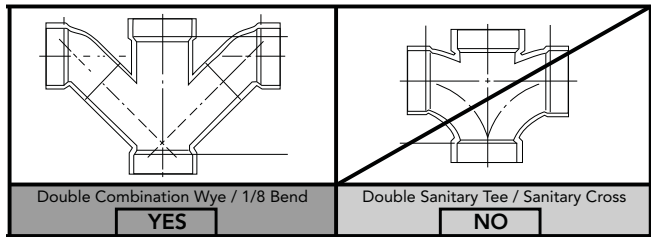
SPECIFICATIONS

- Water Use 1.6 GPF/6.0LPF
- Flush System G-Max®
- Min. Water Pressure 8 psi (static)
- Water Surface 10-1/4" x 8-1/4"
- Trap Diameter 2-1/16"
- Rough-in 12"
- Trap Seal 2-1/4"
- Warranty One Year Limited Warranty
- Material Vitreous china
- Shipping Weight CT794EF - 62lbs
ST794S - 36.5lbs
- Shipping Dimensions CT794EF
29-3/4" L x 16-1/2" W
x 24-3/4" H

ST794S
20-3/8" L x 8-3/8" W
x 19-5/8" H

INSTALLATION NOTES

Back-to-Back Toilet Installations:
TOTO recommends the use of a nationally listed, double sanitary tee-wye only, in vertical waste stacks, in accordance with the stipulations noted in the majority of nationally recognized plumbing codes.



TOTO®

These dimensions and specifications are subject to change without notice