

Clayton® Close Coupled Toilet, 1.6GPF

FEATURES

- G-Max® flushing system, low consumption (1.6GPF/6.0LPF)
- Universal Height
- Traditional close coupled toilet
- Elongated front bowl and tank set, less seat
- Color matched and chrome trip lever
- 12" Rough-in, less supply
- ADA compliant

MODELS

- CST784SF

COMPONENTS

- C784EF - Elongated Front Bowl
- ST784S - Tank and Cover only
- SS154 SoftClose® seat (sold separately)
- SS114 SoftClose® seat (sold separately)
- SS304 SoftClose® maple seat (sold separately)

COLORS/FINISHES

- Standard
 - #01 Cotton
 - #03 Bone
 - #11 Colonial White
 - #12 Sedona Beige
 - #51 Ebony

PRODUCT SPECIFICATION

The two-piece G-Max flushing system toilet shall be 1.6GPF/6.0LPF. Toilet shall be universal height and ADA compliant. Toilet shall have high-profile tank, elongated front bowl and chrome trip lever. Toilet shall be TOTO Model CST784SF ____.



CODES/STANDARDS

- Meets and exceeds ASME A112.19.2/CSA B45.1,
- Certifications: IAPMO(cUPC), State of Massachusetts, City of Los Angeles, and others
- Code compliance: UPC, IPC, NSPC, NPC Canada, and others
- ADA compliant (when installed with trip lever located on the approach side)



CST784SF

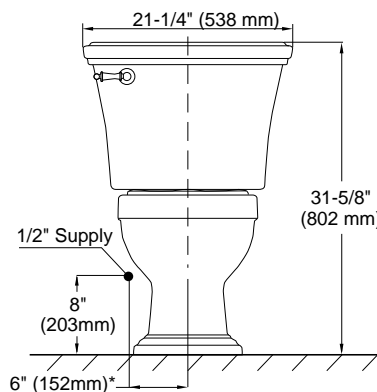
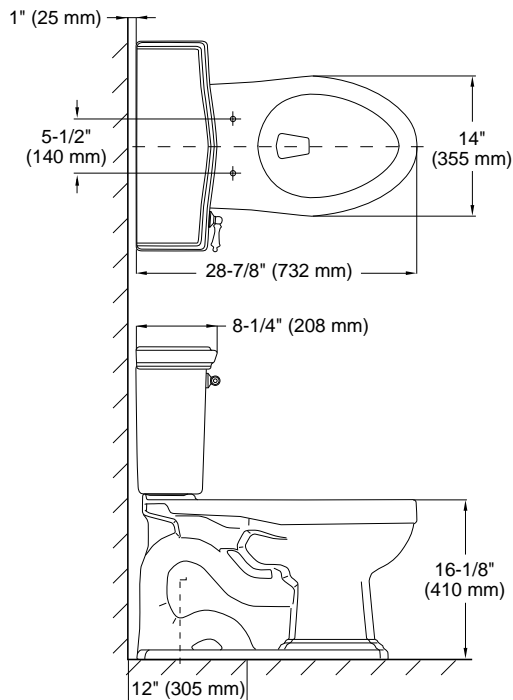
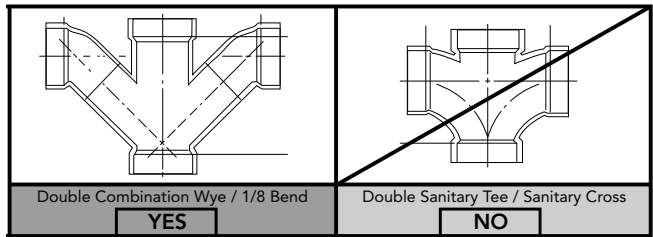
Clayton® Close Coupled Toilet, 1.6GPF/6.0 GPF

SPECIFICATIONS

- Water Use 1.6 GPF/6.0LPF
 - Flush System G-Max
 - Min. Water Pressure 8 psi (static)
 - Water Surface 10-5/6" x 8-1/4"
 - Trap Diameter 2-1/8"
 - Rough-in 12"
 - Trap Seal 2-3/8"
 - Warranty One Year Limited Warranty
 - Material Vitreous china
 - Shipping Weight C784EF - 62lbs
ST784S - 36.5lbs
 - Shipping Dimensions C784EF
30"L x 12-1/4"W1 14-5/8"
W2 x 18-1/8"H
- ST784S
22-1/8"L x 10"W
x 17-3/4"H

INSTALLATION NOTES

Back-to-Back Toilet Installations:
TOTO recommends the use of a nationally listed, double sanitary tee-wye only, in vertical waste stacks, in accordance with the stipulations noted in the majority of nationally recognized plumbing codes.



TOTO

These dimensions and specifications are subject to change without notice