

### FEATURES

- G-Max® flushing system
- Optional SanaGloss® ceramic glaze - SanaGloss glaze prevents debris, and mold from sticking to ceramic surfaces, leading to fewer chemicals and less water in cleaning.
- Close coupled commercial grade, high performance toilet
- Elongated front bowl and tank set, less seat
- Chrome trip lever
- 12" Rough-in, less supply

### MODELS

- CST744SG  
Elongated bowl, SanaGloss, 12" rough-in, less seat
- CST744S  
Same as above less SanaGloss
- CST744SB\*  
Same as CST744S with bolt down lid (special order)
- CST744SD\*  
Same as CST744S with insulated tank (special order)
- CST744SDB\*  
Same as CST744S with bolt down lid & insulated tank (special order)
- CST744SR\*  
Same as CST744S with right hand trip lever (special order)

### COMPONENTS

- C744E - Elongated Front Bowl
- ST743S - Tank and Cover only
- ST743SB - Tank and Cover only (bolt down lid)
- ST743SD - Tank and Cover only (insulated tank)
- ST743SDB - Tank and Cover only (bolt down lid and insulated tank)
- ST743SR - Tank and Cover only (right hand trip lever)
  
- SS114 SoftClose® seat (sold separately)
- SS204 SoftClose® seat (sold separately)
- SC134 commercial seat (sold separately)
- SC534 commercial seat (sold separately)

### COLORS/FINISHES

- Standard
- #01 Cotton
- #03 Bone
- #11 Colonial White
- #12 Sedona Beige
- #51 Ebony



### PRODUCT SPECIFICATION

The two-piece G-Max flushing system toilet shall be 1.6GPF/6.0LPF. Toilet shall have high-profile tank, elongated front bowl and chrome trip lever. Toilet model CST744SG shall have SanaGloss ceramic glaze. Toilet shall be TOTO Model CST744S\_\_\_\_\_.



### CODES/STANDARDS

- Meets and exceeds ASME A112.19.2/CSA B45.1
- Certifications: IAPMO(cUPC), State of Massachusetts, City of Los Angeles, and others
- Code compliance: UPC, IPC, NSPC, NPC Canada, and others



# CST744S(G)

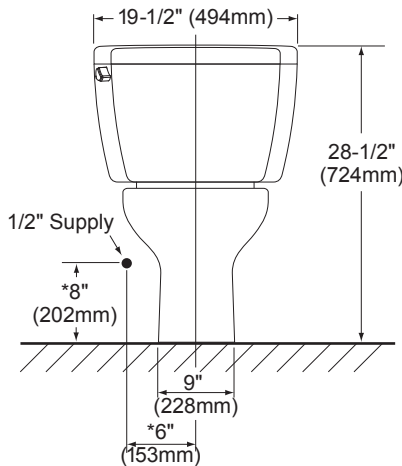
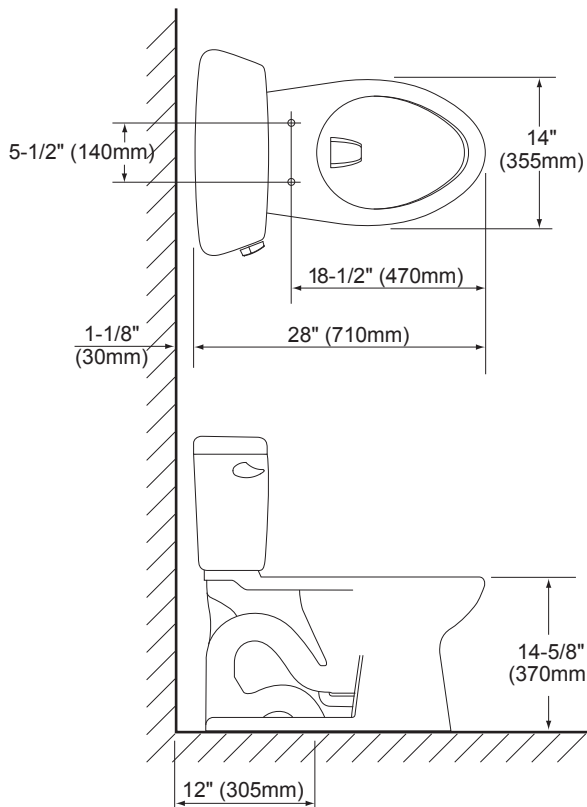
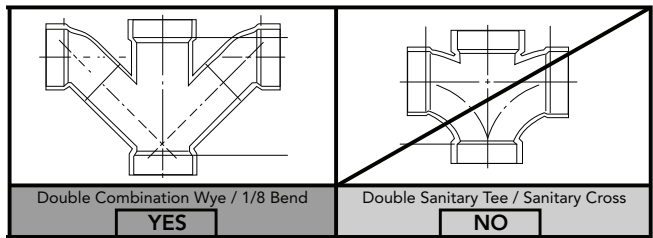
## Drake® Close Coupled Toilet, 1.6GPF

### SPECIFICATIONS

- Water Use 1.6 GPF/6.0LPF
  - Flush System G-Max
  - Min. Water Pressure 8 psi (static)
  - Water Surface 10-1/4" x 8-1/2"
  - Trap Diameter 2-1/8"
  - Rough-in 12"
  - Trap Seal 2-3/8"
  - Warranty One Year Limited Warranty
  - Material Vitreous china
  - Shipping Weight C744E(G) - 52lbs  
ST743S - 35lbs
  - Shipping Dimensions C744E(G)  
29-1/2"L x 16"W1  
x 10-1/4"W2 x 18-1/4"H
- ST743S  
20-1/8"L x 8-1/4"W  
x 15-1/2"H

### INSTALLATION NOTES

Back-to-Back Toilet Installations:  
TOTO recommends the use of a nationally listed, double sanitary tee-wye only, in vertical waste stacks, in accordance with the stipulations noted in the majority of nationally recognized plumbing codes.



**TOTO®**

*These dimensions and specifications are subject to change without notice*