

# TOTO®

# CST484CEMFG

## Maris™ Close Coupled Toilet, 1.28GPF & 0.9GPF

### FEATURES

- Dual-Max® Cyclone® flushing system, high efficiency (1.28GPF/4.8LPF & 0.9GPF/3.4LPF)
- Elongated bowl
- Universal Height
- Close coupled, elongated front bowl and tank set, less toilet seat
- SanaGloss® ceramic glaze - SanaGloss glaze prevents debris, and mold from sticking to ceramic surfaces, leading to fewer chemicals and less water in cleaning.
- Chrome trip-lever
- 12" Rough-in

### MODELS

- CST484CEMFG  
With SanaGloss ceramic glaze

### COMPONENTS

- CT484CEFG - Elongated Front Bowl w/SanaGloss
- ST484M - Tank and cover only
- SS114 SoftClose® seat (sold separately)

### COLORS/FINISHES

- Standard  
#01 Cotton

### PRODUCT SPECIFICATION

The two-piece, universal height, high efficiency Dual-Max Cyclone flushing system toilet shall be 1.28GPF/0.9GPF. Toilet shall be ADA height compliant and universal height. Toilet shall have high-profile tank, elongated front bowl and chrome trip-lever. Toilet shall be TOTO Model CST484CEMF\_\_\_\_\_.



**DUALMAX®** FLUSHING SYSTEM BY TOTO *SanaGloss*  
**CYCLONE®** FLUSHING SYSTEM BY TOTO

### CODES/STANDARDS

- Meets and exceeds ASME A112.19.2/CSA B45.1
- Certifications: IAPMO(cUPC), EPA WaterSense, State of Massachusetts, City of Los Angeles, and others
- Code compliance: UPC, IPC, NSPC, NPC Canada, and others
- Legislative Compliance: California AB715, California Green Building Code, City of Los Angeles Water Efficiency Ordinance
- ADA compliant (when installed with trip lever located on the approach side)



# CST484CEMFG

## Maris™ Close Coupled Toilet, 1.28GPF & 0.9GPF

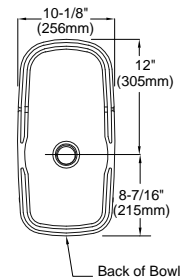
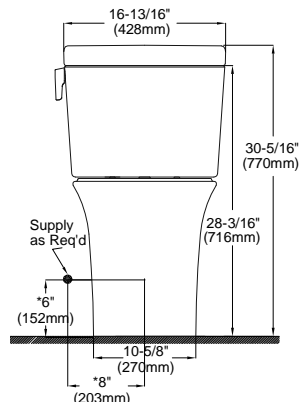
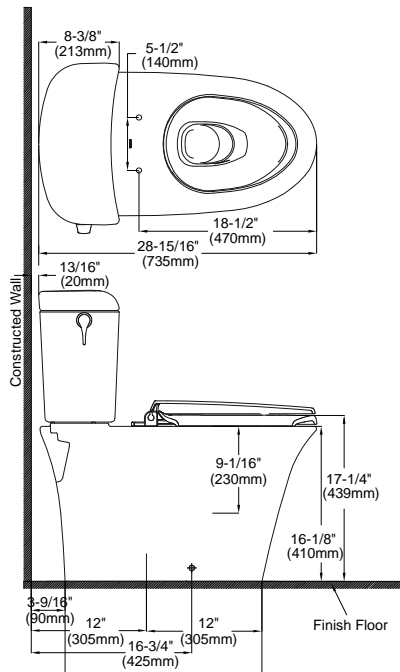
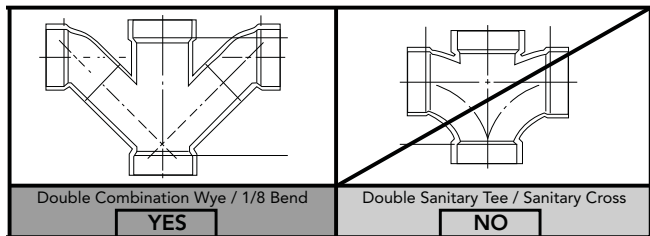
### SPECIFICATIONS

- Water Use 1.28 GPF & 0.9GPF (4.8LPF & 3.4LPF)
- Flush System Dual-Max Cyclone
- Min. Water Pressure 8 psi (flowing)
- Water Surface 5-1/2" x 4-3/16"
- Trap Diameter 2-1/8"
- Rough-in 12"
- Trap Seal 2-1/8"
- Warranty One Year Limited Warranty
- Material Vitreous china
- Shipping Weight C484CEFG - 89lbs  
ST484M - 39lbs
- Shipping Dimensions C484CEFG  
29-1/2" L x 16-3/8" W x 18" H

ST484M  
21" L x 9-3/8" W x 17-7/8" H

### INSTALLATION NOTES

Back-to-Back Toilet Installations:  
TOTO recommends the use of a nationally listed, double sanitary tee-wye only, in vertical waste stacks, in accordance with the stipulations noted in the majority of nationally recognized plumbing codes.



\*Suggested Dimensions

**TOTO®**

*These dimensions and specifications are subject to change without notice*